



## DQOR<sup>®</sup> SERIES

2-WAY PASSIVE INDOOR/OUTDOOR INSTALLATION LOUDSPEAKER

LDDQOR3(B/W), LDDQOR5(B/W), LDDQOR8(B/W)

LDDQOR3T(B/W), LDDQOR5T(B/W), LDDQOR8T(B/W)

## INTRODUCTION

LD Systems presents a new series of installation speakers for indoors and outdoors. The 2-way systems in the new dynamic LD Systems design are available as a low-impedance version (8 Ohm) and as a high-impedance version with a switch for the different transformers taps in 70 V or 100 V applications. The speakers are available in sizes 3", 5.25" and 8". For flexible integration into various indoor and outdoor sound systems, the speakers have an integrated wall bracket and a practical slide and lock mechanism. Thanks to the integrated connection panel, the speakers can also be used in visually demanding environments without visible cable paths. In addition, the 27° tilt and the 45° swivel mechanism enables exact positioning for precise sound coverage. The new outdoor speakers are available in black and white.

## FEATURES - MODELS WITH TRANSFORMER

- New dynamic LD Systems speaker design
- 2-way speaker system
- Integrated wall bracket with lock mechanism and speaker connections
- Suitable for use indoors and outdoors
- Aluminum grille for best corrosion protection
- Vertical and horizontal orientation possible, with 27° tilt and 45° pan angle
- BEM-optimized waveguide for constant directivity
- Wide, horizontal beam angle of 120° and vertical beam angle of 80°
- 3-position input select switch (16Ω / 70V / 100V) and switch for the transformer taps
- Very low transformer saturation
- Available in black (RAL 9005 = item number ending B) and white (RAL 9010 = item number ending W)
- Protection type
  - IP65 = DQQR3T (B/W)
  - IP55 = DQQR5T (B/W) & DQQR8T (B/W)

DQQR3T (B/W) - 2-way speaker system with 3" woofer and 1" titanium tweeter with FerroFluid™ cooling.  
30W @ 16 Ohm, transformer taps 30W - 6W - 3W - 1.5W

DQQR5T (B/W) - 2-way speaker system with 5.25" woofer and 1" titanium tweeter with FerroFluid™ cooling.  
70W @ 16 Ohm, transformer taps 70W - 30W - 15W - 7.5W - 3W

DQQR8T (B/W) - 2-way speaker system with 8" woofer and 1" titanium tweeter with FerroFluid™ cooling.  
120W @ 16 Ohm, transformer taps 120 W - 70W - 30W - 15W - 7.5W - 3W

### PACKAGING CONTENT

- DQQR3T (B/W) and DQQR5T (B/W) - 1 pair of speakers / DQQR8T (B/W) - 1 speaker
- Hex key for the safety screw of the wall bracket
- User manual

## FEATURES - LOW-IMPEDANCE MODELS

- New dynamic LD Systems speaker design
- 2-way speaker system
- Integrated wall bracket with lock mechanism and speaker connections
- Suitable for use indoors and outdoors
- Aluminum grille for best corrosion protection
- Vertical and horizontal orientation possible, with 27° tilt and 45° pan angle
- BEM-optimized waveguide for constant directivity
- Wide, horizontal beam angle of 120° and vertical beam angle of 80°
- Available in black (RAL 9005 = item number ending B) and white (RAL 9010 = item number ending W)
- Protection type
  - IP65 = DQQR3 (B/W)
  - IP55 = DQQR5 (B/W) & DQQR8 (B/W)

DQQR3 (B/W) - 2-way speaker system with 3" woofer and 1" titanium tweeter with FerroFluid™ cooling.  
30W power rating 8 Ohm impedance

DQQR5 (B/W) - 2-way speaker system with 5.25" deep woofer and 1" titanium tweeter with FerroFluid™ cooling.  
70W power rating 8 Ohm impedance

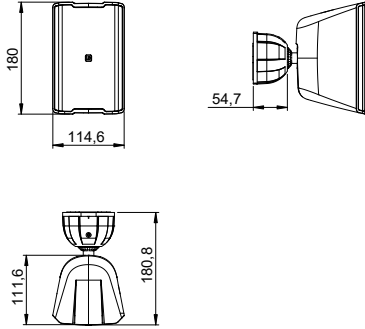
DQQR8 (B/W) - 2-way speaker system with 8" woofer and 1" titanium tweeter with FerroFluid™ cooling.  
120W power rating 8 Ohm impedance

### PACKAGING CONTENT

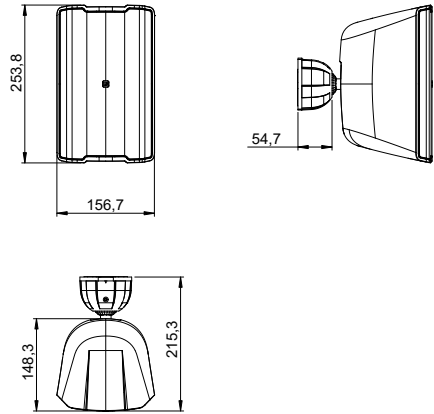
- DQOR3 (B/W) and DQOR5 (B/W) - 1 pair of speakers / DQOR8 (B/W) - 1 speaker
- Hex key for the safety screw of the wall bracket
- User manual

### MEASUREMENTS (MM)

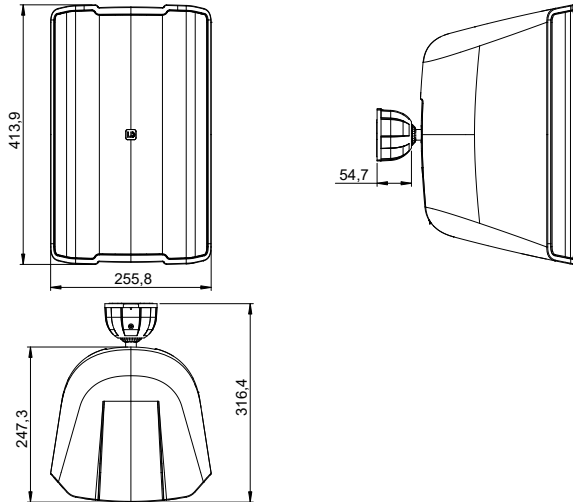
#### DQOR3 / DQOR3T



#### DQOR5 / DQOR5T



#### DQOR8 / DQOR8T



## TECHNICAL DATA

Item number:	LDDQOR3(B/W)	LDDQOR3T(B/W)
Product type	Installation speaker	
Type	Passive	
Woofer size	3", 76.2 mm	
Woofer magnet	Ferrite	
Woofer brand	Custom Made	
Woofer voice coil	1", 25.4 mm	
Horn	BEM-optimized CD waveguide	
HF driver size	1", 25.4 mm	
HF driver magnet	Neodymium	
HF driver brand	Custom Made	
HF driver voice coil	1", 25.4 mm	
Beam angle (H x V)	120° x 80° (-6 dB)	
Power rating (RMS)	30 W	
Power rating (peak)	60 W (>200Hz)	
Frequency response	85 - 20000 Hz (-10dB)	
Crossover frequency	2200 Hz	
SPL (1 W/1 m)	80 dB	
Max. SPL	98 dB	
Impedance	8 Ohm	16 Ohm
Input select switch	-	70 V - 100 V - 16 Ohm
100V transformer power taps	-	30 - 6 - 3 - 1.5W
70V transformer power taps	-	30 - 6 - 3 - 1.5W
Speaker input connections	4-pole terminal block. Pitch 5.08mm	
Housing material	ABS plastic	
IP protection class	65	
Housing color	White (RAL 9010) / black (RAL 9005)	
Width	114.6 mm	
Height	180 mm	
Depth	180.8 mm	
Included accessories	Bracket for surface mounting Allen key for the safety screw	
Optional accessory	LDDQORWMC (rubber covering set for wall bracket)	
Weight	1.4 kg	2.1 kg

Item number:	LDDQOR5(B/W)	LDDQOR5T(B/W)
Product type	Installation speaker	
Type	Passive	
Woofer size	5.25", 133 mm	
Woofer magnet	Ferrite	
Woofer brand	Custom Made	
Woofer voice coil	1", 25.4 mm	
Horn	BEM-optimized CD waveguide	
HF driver size	1", 25.4 mm	
HF driver magnet	Neodymium	
HF driver brand	Custom Made	
HF driver voice coil	1", 25.4 mm	
Beam angle (H x V)	120° x 80° (-6 dB)	
Power rating (RMS)	70 W	
Power rating (peak)	140 W (>200Hz)	
Frequency response	74 - 20000 Hz (-10dB)	
Crossover frequency	1900 Hz	
SPL (1 W/1 m)	84 dB	
Max. SPL	105 dB	
Impedance	8 Ohm	16 Ohm
Input select switch	-	70 V - 100 V - 16 Ohm
100V transformer power taps	-	70 - 30 - 15 - 7.5 - 3 W
70V transformer power taps	-	70 - 30 - 15 - 7.5 - 3 W
Speaker input connections	4-pole terminal block. Pitch 5.08mm	
Housing material	ABS plastic	
IP protection class	55	
Housing color	White (RAL 9010) / black (RAL 9005)	
Width	156.7 mm	
Height	253.8 mm	
Depth	215.3 mm	
Included accessories	Bracket for surface mounting Allen key for the safety screw	
Optional accessory	LDDQORWMC (rubber covering set for wall bracket)	
Weight	2.7 kg	3.9 kg

Item number:	LDDQ08(B/W)	LDDQ08T(B/W)
Product type	Installation speaker	
Type	Passive	
Woofers size	8", 200 mm	
Woofers magnet	Ferrite	
Woofers brand	Custom Made	
Woofers voice coil	2", 50.8 mm	
Horn	BEM-optimized CD waveguide	
HF driver size	1", 25.4 mm	
HF driver magnet	Neodymium	
HF driver brand	Custom Made	
HF driver voice coil	1", 25.4 mm	
Beam angle (H x V)	120° x 80° (-6 dB)	
Power rating (RMS)	120 W	
Power rating (peak)	240 W (>200Hz)	
Frequency response	62 - 20000 Hz (-10dB)	
Crossover frequency	1800 Hz	
SPL (1 W/1 m)	88 dB	
Max. SPL	109 dB	
Impedance	8 Ohm	16 Ohm
Input select switch	-	70 V - 100 V - 16 Ohm
100V transformer power taps	-	120 - 70 - 30 - 15 - 7.5 - 3 W
70V transformer power taps	-	120 - 70 - 30 - 15 - 7.5 - 3 W
Speaker input connections	4-pole terminal block. Pitch 5.08mm	
Housing material	ABS plastic	
IP protection class	55	
Housing color	White (RAL 9010) / black (RAL 9005)	
Width	255.8 mm	
Height	413.9 mm	
Depth	316.4 mm	
Included accessories	Bracket for surface mounting Allen key for the safety screw	
Optional accessory	LDDQ0RMMC (rubber covering set for wall bracket)	
Weight	5.2 kg	7.2 kg