

# PC-1868W

Ceiling Speaker



Article number: PC-1868W-EB  
Alternative products: PC-1869, PC-1869S,  
PC-2369

## Specifications

Sensitivity (1#W, 1#n)	90 dB
Frequency response.	100 Hz - 16 kHz
Tappings	6 / 3 / 1 W (100 V), 3 / 1.5 / 0.5 W (70 V)
Speaker component	12 cm cone-type
Finish.	ABS resin, traffic white (RAL 9016 or equivalent),

Appearance

## CEILING MOUNT SPEAKER PC-1868W-EB

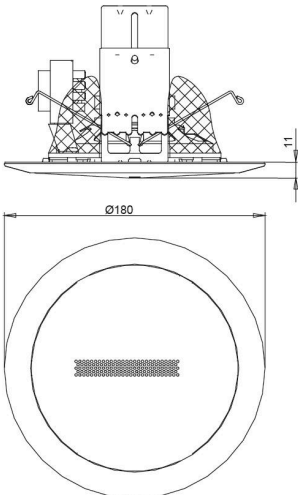
❖ **DESCRIPTION**  
 Designed for simple installation, the TOA PC-1868W-EB is equipped with a metal grille and an ABS resin Baffle. It can be easily installed thanks to its spring catch method. The front net is also made of metal, simplifying cleaning.

❖ **SPECIFICATIONS**

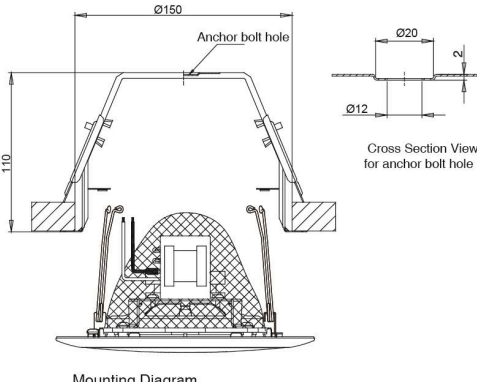
Rated Input	6 W (for 100 V line), 3 W (for 70 V Line)
Rated Impedance	100 V line : 1.7 kΩ (6 W), 3.3 kΩ (3 W), 10 kΩ (1 W) (Internal wiring must be changed) 70 V line : 1.7 kΩ (3 W), 3.3 kΩ (1.5 W), 10 kΩ (0.5 W) (Internal wiring must be changed)
Sound Pressure Level	90 dB (1 W, 1 m, 330 - 3,300 Hz Pink noise)
Frequency Response	100 - 16,000 Hz
Speaker Component	12 cm cone-type
Dimension for Fixing Hole	ø150 (mounting hole) x 50 (maximum ceiling thickness) mm
Speaker Mounting Method	Spring catch
Applicable Cable	Solid copper wire or 7-core twisted copper wire More than ø0.8 mm or 0.5 mm <sup>2</sup> or more
Finish	Baffle : ABS resin, pure white (equivalent color) Grille : Net, pure white (equivalent color), paint
Dimensions	180 x 11 (exposed section) + 110 (D) mm
Weight	675 g (bracket included)

[Note] Do not cover the speaker with heat insulating material or sound absorbing material. Ensure that the speaker is kept away from the heat insulating material.

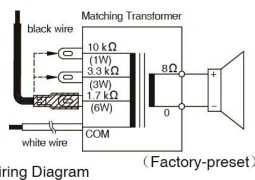
❖ **APPEARANCE**



UNIT : mm    SCALE : 1 / 3



Mounting Diagram



Wiring Diagram (Factory-preset)

[Note] Use transformer terminals when changing input impedance.

TOA Corporation

NO: C109414233