

WiSpeak

WIRELESS PRO AUDIO

WIRELESS PRO AUDIO

Transmitters - Receivers



WiSpeak grip | control application

USER MANUAL

INDEX

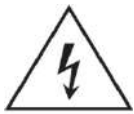
1. IMPORTANT REMARK	4
2. IMPORTANT SAFETY INSTRUCTIONS.....	4
3. IMPORTANT NOTE.....	6
4. INTRODUCTION.....	6
5. TRANSMITTER AND RECEIVER MODELS	8
5.1. CORE model.....	8
5.2. TUBE model.....	10
5.3. CUBE model	11
5.4. GLOBE model.....	12
5.4.1 GLOBE RM model rail-mount version (lighting rail)	12
5.4.2 GLOBE PD model (pendant).....	13
6. WiSpeak RF TECHNOLOGY.....	14
6.1 Materials RF interference level.....	14
7. INSTALLATION	15
7.1. TUBE receivers mounting and power up.....	15
7.2. CUBE receivers mounting and power up	17
7.3. GLOBE receivers mounting.....	20
7.4. CORE transmitter installation	24
7.4.1 Multiple COREs installation.....	26
7.5. Disassembling WiSpeak receivers from lighting rails installations	27
8. PAIRING THE RECEIVERS & STARTING UP THE WiSpeak SYSTEM.....	28
8.1 WiSpeak system receivers protection.....	29
9. CORE transmitter VOLUME control: REMOTE and MUTE control ports	30
10. LED information, codes and additional procedures	31
10.1 CORE transmitter	31
10.2 TUBE / CUBE / GLOBE receivers.....	33
10.2.1. TUBE.....	33
10.2.2. CUBE	34
10.2.3. GLOBE.....	35

11. Extended information about the WiSpeak PAIRING PROCEDURE.....	36
12. UNPAIR PROCEDURE	37
13. SPECIAL RESET PROCEDURES.....	38
14. CLEANING.....	38
15. FUNCTION DIAGRAMS	39
15.1. CORE	39
15.2. TUBE.....	40
15.3. CUBE	41
15.4. GLOBE.....	42
16. TECHNICAL CHARACTERISTICS	43
16.1. CORE	43
16.2. TUBE.....	45
16.3. CUBE	47
16.4. GLOBE.....	49
WiSpeak Grip control application	51
17. WiSpeak grip INTRODUCTION.....	52
18. Bluetooth CONNECTION TO THE MASTER UNIT	53
19. WiSpeak grip MAIN SCREEN – CONNECTING TO A MASTER	55
20. PAIRING THE RECEIVERS & STARTING UP THE WiSpeak SYSTEM.....	59
21. MASTER AUDIO SETUP ADVANCED FEATURES.....	62
21.1. Inputs.....	63
21.2. Outputs.....	64
21.3. WiSpeak CH1 / CH2 Settings	65
22. LOUDSPEAKERS PAGE ADVANCED FEATURES.....	66
23. MASTER SETTINGS PAGE	73
24. USER CONTROL PAGE	76
25. WiSpeak FAQs (JAN 2020).....	78

1. IMPORTANT REMARK




WARNING: SHOCK HAZARD - DO NOT OPEN
AVIS: RISQUE DE CHOC ÉLECTRIQUE - NE PAS OUVRIR



The lightning flash with arrowhead symbol, within an equilateral triangle, is intended to alert the user to the presence of uninsulated “dangerous voltage” within the product’s enclosure that may be of sufficient magnitude to constitute a risk of electric shock to persons.



The exclamation point within an equilateral triangle is intended to alert the user to the presence of important operating and maintenance (servicing) instructions in the literature accompanying the appliance.

WARNING (If applicable): The terminals marked with symbol of “” may be of sufficient magnitude to constitute a risk of electric shock. The external wiring connected to the terminals requires installation by an instructed person or the use of ready-made leads or cords.

WARNING: To prevent fire or shock hazard, do not expose this equipment to rain or moisture.

WARNING: An apparatus with Class I construction shall be connected to a mains socket-outlet with a protective earthing connection.

2. IMPORTANT SAFETY INSTRUCTIONS

1. Read these instructions.
2. Keep these instructions.
3. Heed all warnings.
4. Follow all instructions.
5. Do not use this apparatus near water.
6. Clean only with dry cloth.
7. Do not block any ventilation openings. Install in accordance with the manufacturer’s instructions.

8. Do not install near any heat sources such as radiators, heat registers, stoves, or other apparatus (including amplifiers) that produce heat.
9. Do not defeat the safety purpose of the polarized or grounding type plug. A polarized plug has two blades with one wider than the other. A grounding type plug has two blades and a third grounding prong. The wide blade or the third prong are provided for your safety. If the provided plug does not fit into your outlet, consult an electrician for replacement of the obsolete outlet.
10. Protect the power cord from being walked on or pinched particularly at the plugs, convenience receptacles, and at the point where they exit from the apparatus.
11. Only use attachments/accessories specified by the manufacturer.
12. Unplug the apparatus during lightning sorts or when unused for long periods of time.
13. Refer all servicing to qualified personnel. Servicing is required when the apparatus has been damaged in any way, such as power supply cord or plug is damaged, liquid has been spilled or objects have fallen into the apparatus, the apparatus has been exposed to rain or moisture, does not operate normally, or has been dropped.
14. Disconnecting from mains: Switching off the POWER switch all the functions and light indicators of the amplifier will be stopped, but fully disconnecting the device from mains is done unplugging the power cord from the mains input socket. Make sure the house or building must be equipped with a circuit breaker as disconnect device. For this reason, it always shall remain readily operable.
15. Equipment is connected to a socket-outlet with earthing connection by means of a power cord.
16. The marking information is located at the bottom of apparatus.
17. The apparatus shall not be exposed to dripping or splashing and that no objects filled with liquids, such as vases, shall be placed on apparatus.
18. External wiring shall be connected by a skilled person.
19. Only skilled person can replace the fuse.

NOTE: *This equipment has been tested and found to comply with the limits for a Class A digital device, pursuant to part 15 of the FCC Rules. These limits are designed to provide reasonable protection against harmful interference when the equipment is operated in a commercial environment. This equipment generates, uses, and can radiate radio frequency energy and, if not installed and used in accordance with the instruction manual, may cause harmful interference to radio communications. Operation of this equipment in a residential area is likely to cause harmful interference in which case the user will be required to correct the interference at his own expense.*



WARNING: This product must not be discarded, under any circumstance, as unsorted urban waste. Take to the nearest electrical and electronic waste treatment centre.

NEEC AUDIO BARCELONA, S.L. accepts no liability for any damage that may be caused to people, animal or objects due to failure to comply with the warnings above.

3. IMPORTANT NOTE

Thank you for choosing our Ecler **WiSpeak** Wireless Pro Audio system!

It is **VERY IMPORTANT** to carefully read this manual and to fully understand its contents before any connection in order to maximize your use and get the best performance from this equipment.

To ensure optimal operation of this device, we strongly recommend that its maintenance be carried out by our authorised Technical Services.

All ECLER products are covered by warranty, please refer to www.ecler.com or the warranty card included with this product for the period of validity and conditions.

4. INTRODUCTION

Ecler WiSpeak is a technology that provides Wireless Professional Audio for fixed (permanent or temporary) installations, including transmitter devices and receiver (loudspeakers) devices.

The main highlights of the WiSpeak technology are:

- Simple and fast installation (with or without the use of the WiSpeak grip app)
- Plug & play: no wires, no construction works
- The receivers just need to get mains AC, usually from the already existing lighting rails. They integrate an internal universal Power Supply (100-240VAC -50-60Hz)
- Solid and stable wireless transmission protocol, robust against audio drops
- Up to 500 m2 coverage (depending on the location of the transmitter and the receivers, and the obstacles in between them)
- Master volume control and individual loudspeaker volume control, allowing for audio level zoning
- WiSpeak grip app available for Android and iOS, for the setup and advanced tuning of the system (Admin profile), as well as for the end user simple control (User profile)

- Scalable: daisy-chain option from one receiver to a new transmitter, or from one transmitter to a second transmitter, to extend the total amount of loudspeakers and the area coverage
- Compatible with Eutrac and Global Trac Pro lighting rail standards

A WiSpeak installation is typically made up of one transmitter device and from 1, up to a maximum of 24 receiver units, where:

- the transmitter device is the electronic unit that communicates with all the receiver devices to create a WiSpeak wireless network, and takes the role of the **Master unit** in it
- the receiver units are self-powered loudspeakers with wireless audio reception and control capabilities, under the control of the Master unit

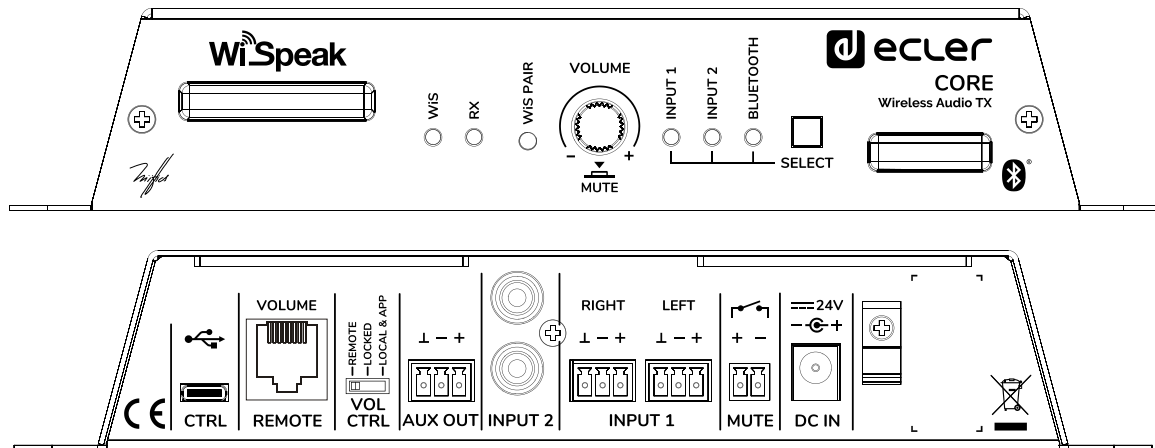
The Master unit has these main functions:

- to pair (link) and keep a stable communication with all the receiver units in the system – when paired and within the valid wireless coverage range - supervising the connection quality of them all
- to take care of the global configuration of the system (audio inputs in use, equalisation, levels, etc.)
- to send the individual configuration commands to each receiver unit, as each receiver can have customised parameters
- to send audio contents to all the receiver units, keeping a perfect synchronisation among them all (<6ms latency and <1µs jitter)

5. TRANSMITTER AND RECEIVER MODELS

The available transmitter devices are:

5.1. CORE model



Main features:

- External, universal Power Supply (100-240VAC 50-60Hz)
- Compatible with WiSpeak grip app for set up and control functions (available for Android and iOS), using Bluetooth® connection
- 3 audio inputs available:
 - Analogue stereo, unbalanced. 2 x RCA connectors
 - Analogue stereo, balanced. 2 x Euroblock 3p connectors
 - Bluetooth®, class 1 (up to 25 meters range, maximum)
- 1 x WiSpeak wireless audio signal transmitted (a mono conversion of the selected input)
- 1 x AUX OUT analogue signal available (a copy of the transmitted WiSpeak signal). It can be used for linking the unit to external audio devices, like amplifiers, mixers or subwoofer units
- MUTE port, to allow the system's audio silencing when an external dry contact is closed
- REMOTE port, to allow a simple general volume control for the end user -within a programmable range- using a WPaVOL or compatible wall panel
- Maximum number of receivers under control per transmitter device = 24 units. The system can be extended by linking a new transmitter to an existing receiver, creating a second WiSpeak network that shares the audio contents and Master volume with the first (main) one
- Front panel controls for source (input) selection and general (Master) volume control

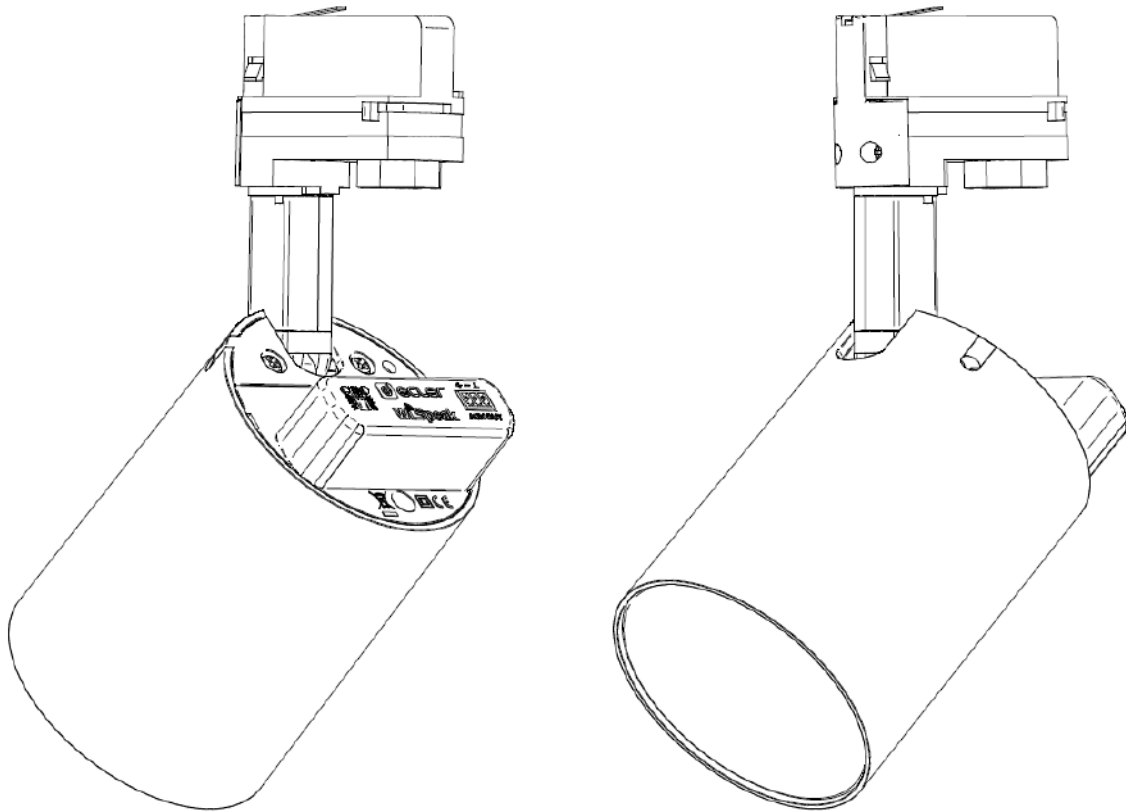
- Recommended maximum range from a CORE transmitter to any WiSpeak paired receiver (TUBE CUBE or GLOBE): 12 meters, with direct line of sight (*)
- Front panel PAIR key: it allows pairing the receivers to the transmitter quickly and easily, for a basic set up of the WiSpeak system.

Note: Additionally, WiSpeak grip app, available for Android and iOS, can be used for an advanced set up and fine tuning of a WiSpeak system

- Front panel LED indicators
- Service USB-C port (not for external power supply, only for service updates &firmware).

The available receiver devices are:

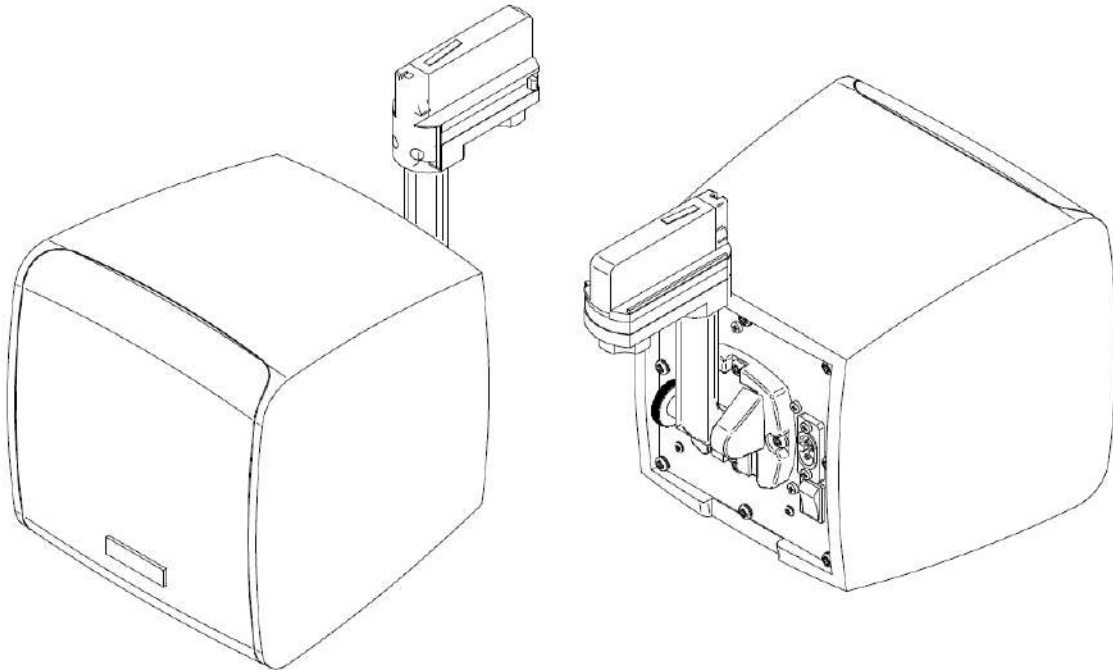
5.2. TUBE model



Main features:

- Lamp style self-powered WiSpeak receiver, including 3" driver
- Lighting rail mount included
- Surface mount accessory available, optional (ref. TUBE SMA)
- Universal, internal power supply, taking mains AC from the lighting rail bracket (100-240VAC 50-60Hz)
- 1 x WiSpeak wireless audio signal received, from the transmitter it is paired to
- 1 x AUX OUT analogue signal available (a copy of the received WiSpeak signal). It can be used for linking the unit to another WiSpeak transmitter, to extend the network, or to external audio devices, such as amplifiers, mixers or subwoofer units
- Back panel UNPAIR control and LED indicators.
- Lighting rail mount compatible (Compatible light rails: 4 wire 3 circuit track system such as Global Track Pro, Eutrac or compatibles).

5.3. CUBE model

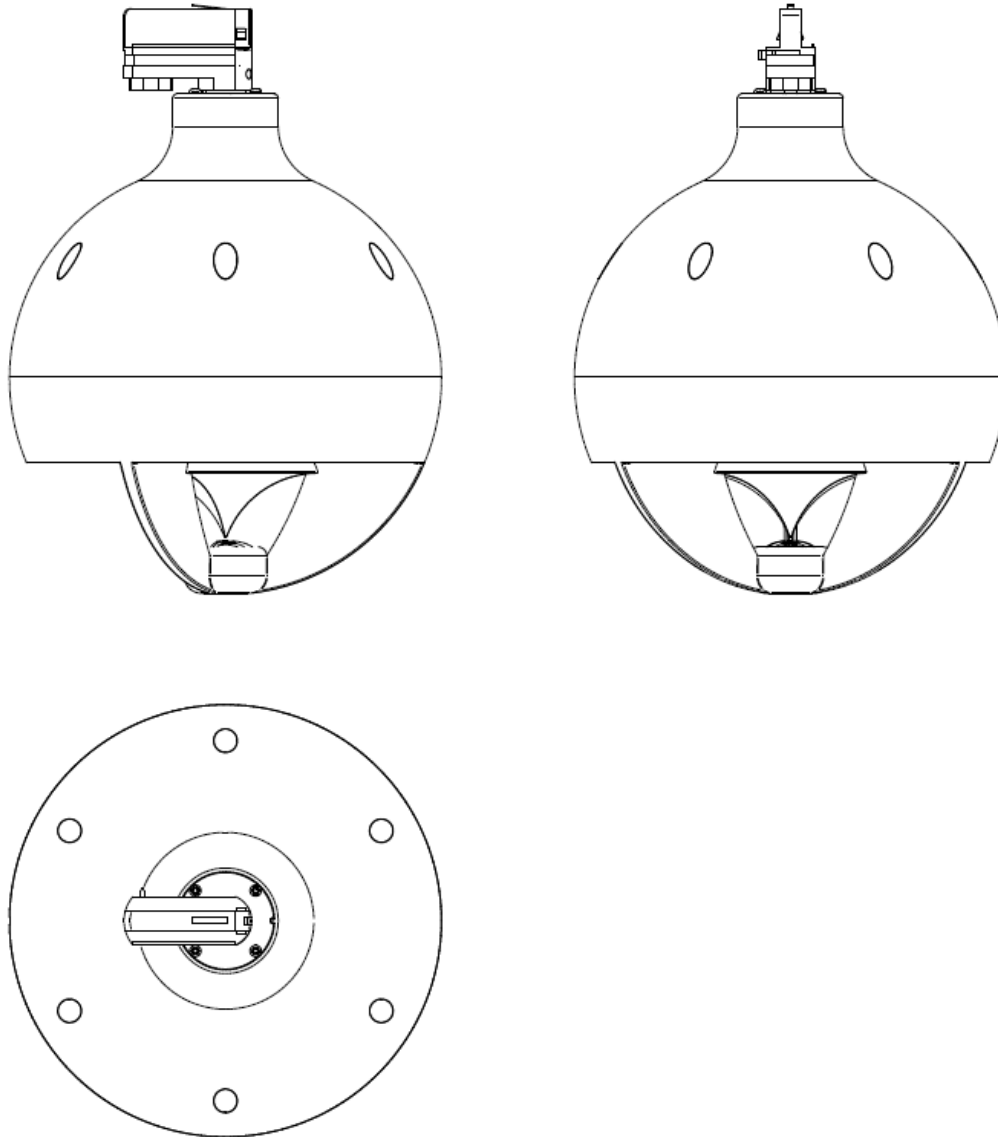


Main features:

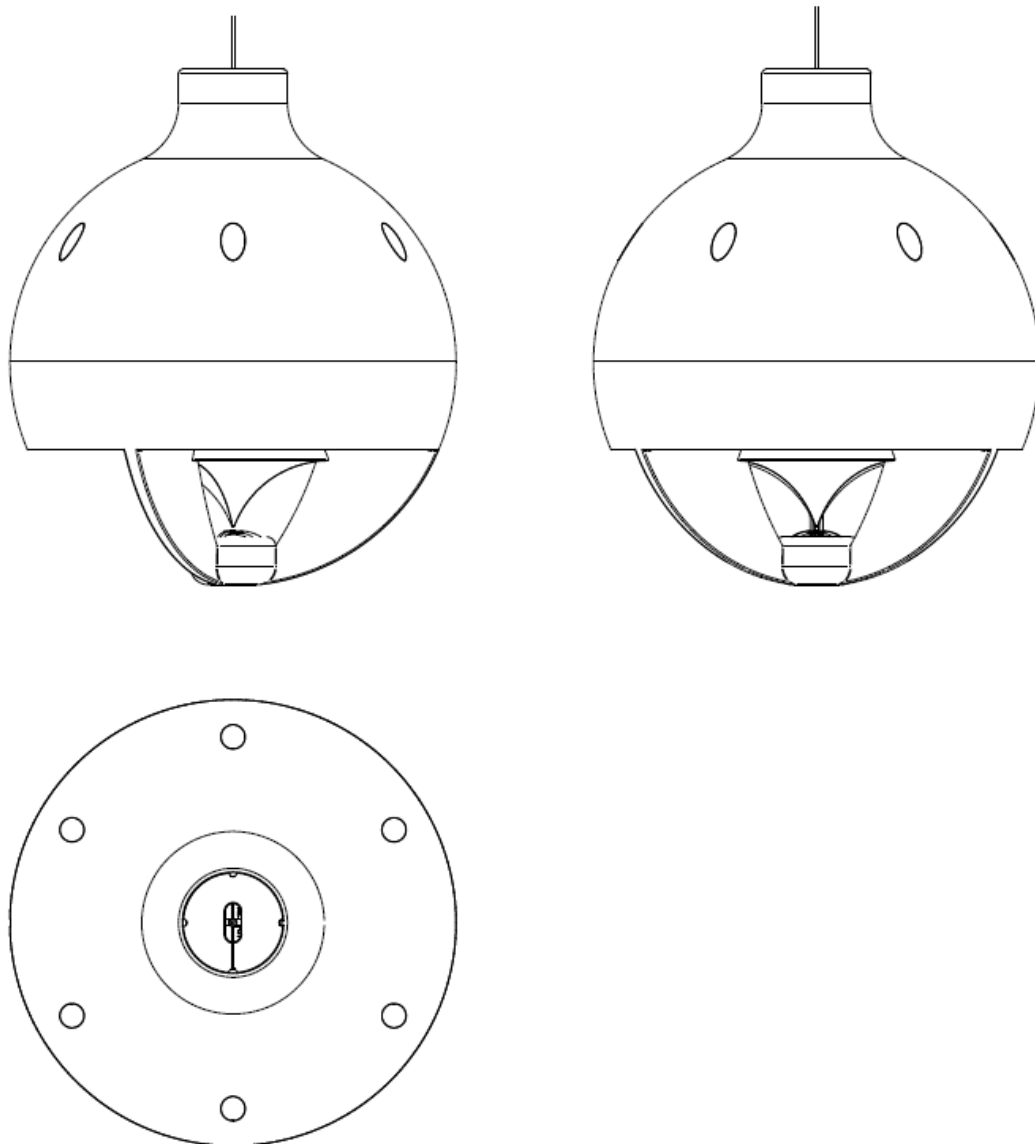
- Loudspeaker cabinet style self-powered WiSpeak receiver, including 5" woofer and 1" tweeter drivers.
- Lighting rail mount included.
- Surface / wall mount accessory included.
- Universal, internal power supply, taking mains AC from the lighting rail bracket (100-240VAC 50-60Hz) or from the external AC wire (both included).
- 1 x WiSpeak wireless audio signal received, from the transmitter it is paired to.
- 1 x AUX OUT analogue signal available (a copy of the received WiSpeak signal). It can be used for linking the unit to another WiSpeak transmitter to extend the network or to external audio devices, such as amplifiers, mixers or subwoofer units.
- Back panel UNPAIR control and front panel LED indicators.
- Lighting rail mount compatible (Compatible light rails: 4 wire 3 circuit track system such as Global Track Pro, Eutrac or compatibles).

5.4. GLOBE model

5.4.1 GLOBE RM model rail-mount version (lighting rail)



5.4.2 GLOBE PD model (pendant)



Main features:

- 32W RMS power rating
- Dispersion 360° x 160° (HxV)
- ABS reinforced with fibreglass
- RM version lighting rail mount compatible (Compatible light rails: 4 wire 3 circuit track system such as Global Track Pro, Eutrac or compatibles)
- PD version with 2 x 5m steel cords for pendant installation
- RM version with universal, internal power supply, taking mains AC from the lighting rail bracket (100-240VAC 50-60Hz)
- PD version with Euroblock power supply connection
- 1x WiSpeak wireless audio signal received, from the transmitter it is paired to

- Front panel UNPAIR control and LED indicators
- 12 meters maximum range, open space, for the WiSpeak wireless network (from the transmitter to each receiver)
- Available in white (RAL 9003) and black colour (RAL 9005)

6. WiSpeak RF TECHNOLOGY

Ecler WiSpeak professional wireless technology system transmit audio via radio frequency (not WIFI), using U-NII 5.1-5.8 GHz bandwidth.

WiSpeak is a robust and stable system. Each CORE has two antennas:

1. **Working channel:** first antenna transmits audio to receivers
2. **Monitoring channel:** the second antenna is scanning free channels in the background, searching for the best options to jump in case of interference

There are **24** available channels in U-NII 5.1-5.8 GHz but not all channels are available in all geographic regions due to regulatory controls.

Select the operating region using the WiSpeak grip app.

Warning: An RF system, even a robust one like WiSpeak, is always exposed to potential performance failures when working in hostile RF environments.

6.1 Materials RF interference level

Type of barrier	Interference level
Wood	Low
Plaster	Low
Synthetic Material	Low
Glass	Low
Water	Medium
Bricks	Medium
Marble	Medium
Concrete	High
Metal	High
Mirror	Very High

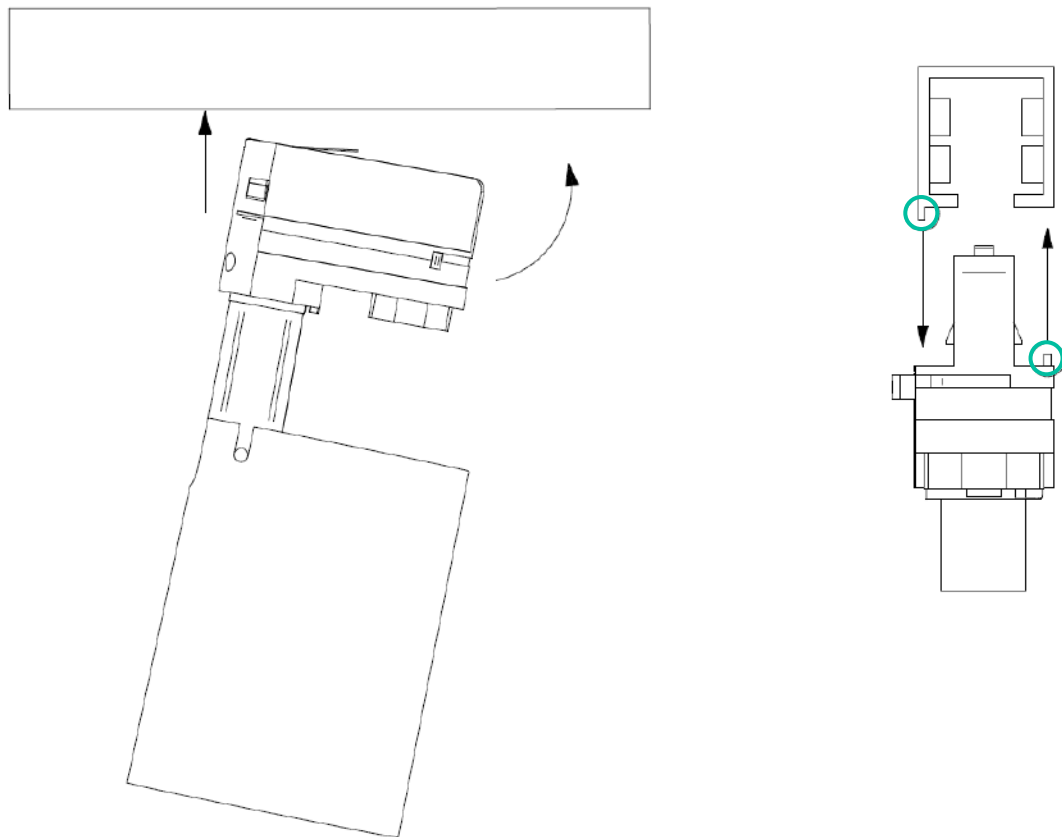
7. INSTALLATION

7.1. TUBE receivers mounting and power up

The TUBE receivers come with the lighting rail bracket already mounted.

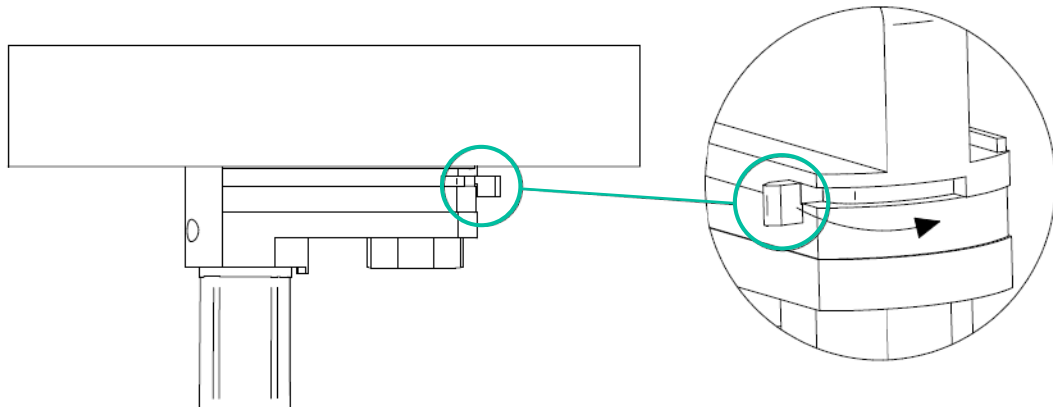
Follow these steps to install a TUBE unit in a lighting rail:

1. Ensure that the 4-position (OFF-1-2-3) circuit selector wheel in the TUBE unit is in the OFF position
2. Insert the loudspeaker in the lighting rail, as shown in the image



Connection to a GLOBAL Trac Pro / Eutrac lighting rail (three-circuit lighting track system)

3. Rotate the safety lug to secure the loudspeaker on the lighting rail. Rotate the circuit selector wheel to a position other than OFF, the one matching with a circuit in the rail that will deliver mains AC to the unit. Then, the safety lug will be locked



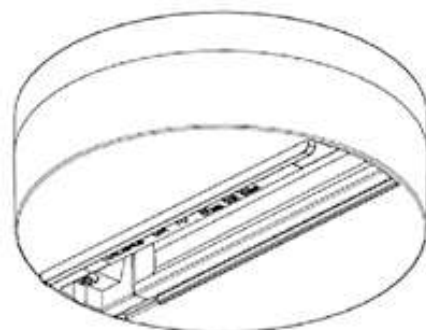
4. Check whether the unit is really powered ON or not by watching the LED indicators at its back panel: depending on the status of the receiver unit (at factory defaults, already paired, etc) blinking or fixed lit LEDs will appear.

Both LEDs OFF permanently will mean that the unit is not powered, probably not getting mains AC from the lighting rail. In this case, please check:

- The lighting rail is really powered with mains AC
- The TUBE receiver circuit selector wheel is in the right position. Check the rest of positions to try to get a valid one, with some LED activity, thus getting mains AC from the rail tracks

5. Orient the loudspeaker to obtain the required position on the vertical and horizontal axes

Note: in case you want to install a TUBE receiver on a surface, where there is no available lighting rail, you may want to use the optional surface mount accessory, ref. **TUBE SMA:**



In first place, mount and power the accessory with mains AC. Then, follow the previous steps to insert and fix the TUBE unit in it.

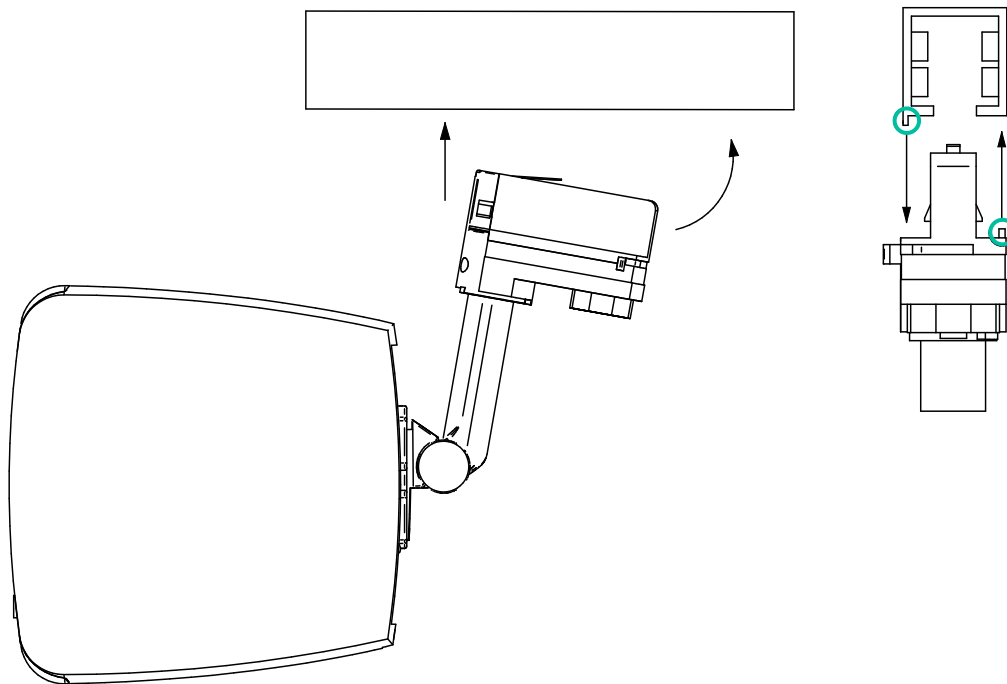
7.2. CUBE receivers mounting and power up

The CUBE receivers come with a lighting rail bracket already mounted, but they also include a wall / surface mount bracket that can replace the lighting bracket in case that a wall mount is the chosen option.

A CUBE unit could be as well installed directly on a surface, like a desktop, shelf, table, etc, without using the rail mount or the wall mount included brackets. To do so, the supplied self-adhesive rubber legs can be attached to the unit's bottom face, and the connection to a standard AC plug can be performed using the supplied additional AC cord.

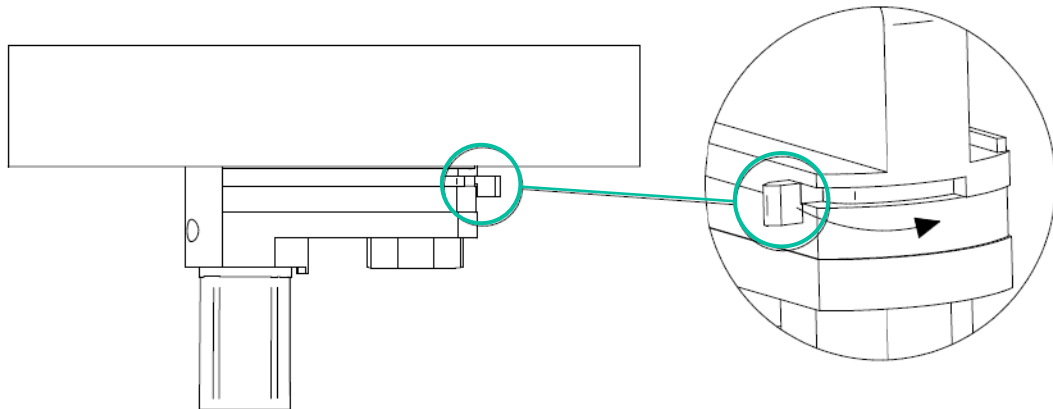
Follow these steps to install a CUBE unit in a lighting rail:

1. Ensure that the 4-position (OFF-1-2-3) circuit selector wheel in the CUBE unit is in the OFF position
2. Insert the loudspeaker in the lighting rail, as shown in the image



Connection to a GLOBAL Trac Pro / Eutrac lighting rail (three-circuit lighting track system)

3. Rotate the safety lug to secure the loudspeaker on the lighting rail. Rotate the circuit selector wheel to a position other than OFF, the one matching with a circuit in the rail that will deliver mains AC to the unit. Then, the safety lug will be locked



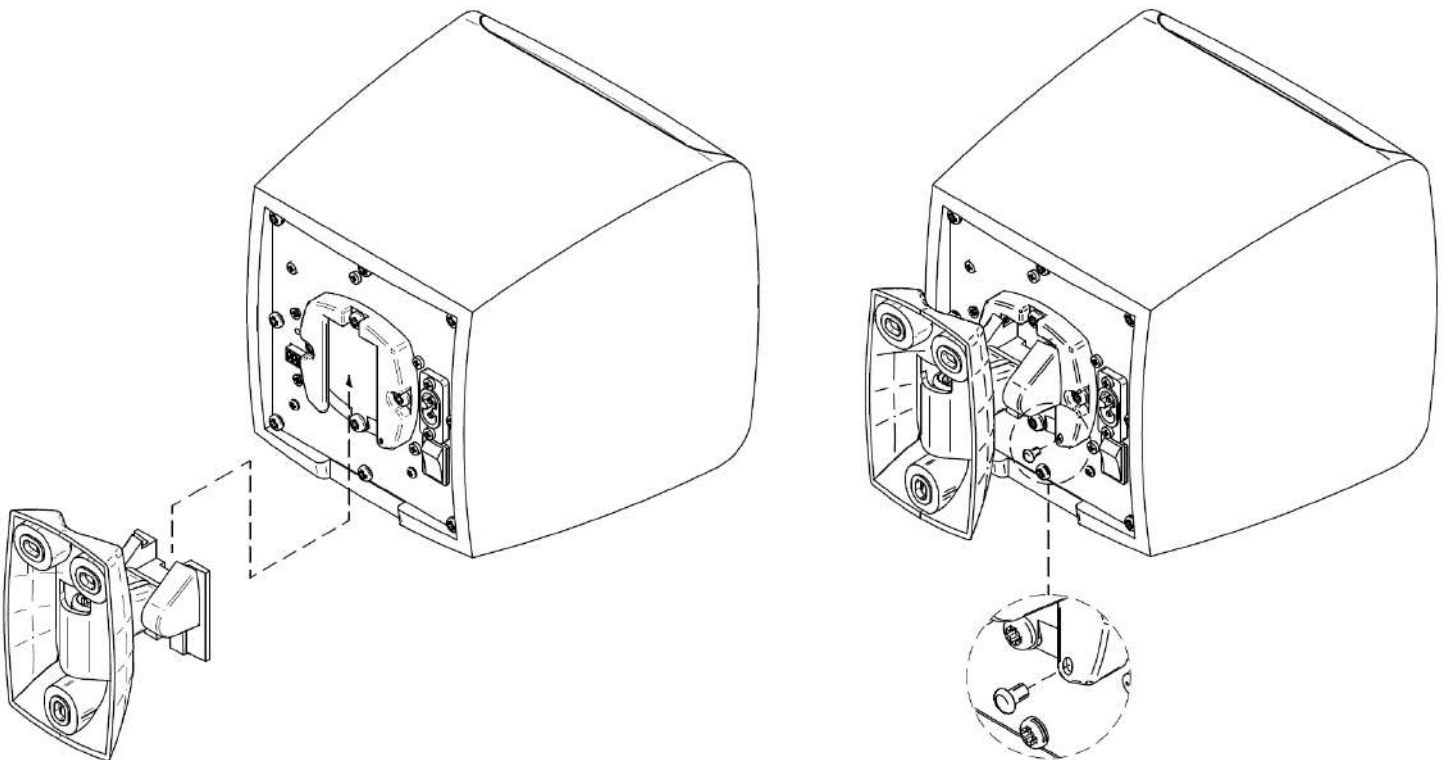
4. Power ON the unit by means of the back panel ON/OFF switch. Check whether the unit is really powered ON or not by watching the LED indicators at its front grill: depending on the status of the receiver unit (at factory defaults, already paired, etc) blinking or fixed lit LEDs will appear.

Both LEDs OFF permanently will mean that the unit is not powered, probably not getting mains AC from the lighting rail. In this case, please check:

- The lighting rail is really powered with mains AC
 - The CUBE receiver circuit selector wheel is in the right position. Check the rest of positions to try to get a valid one, with some LED activity, thus getting mains AC from the rail tracks
 - ON/OFF switch is in ON position and AC cable is connected
5. Orient the loudspeaker to obtain the required position on the vertical and horizontal axes

Follow these steps to install a CUBE unit on a wall:

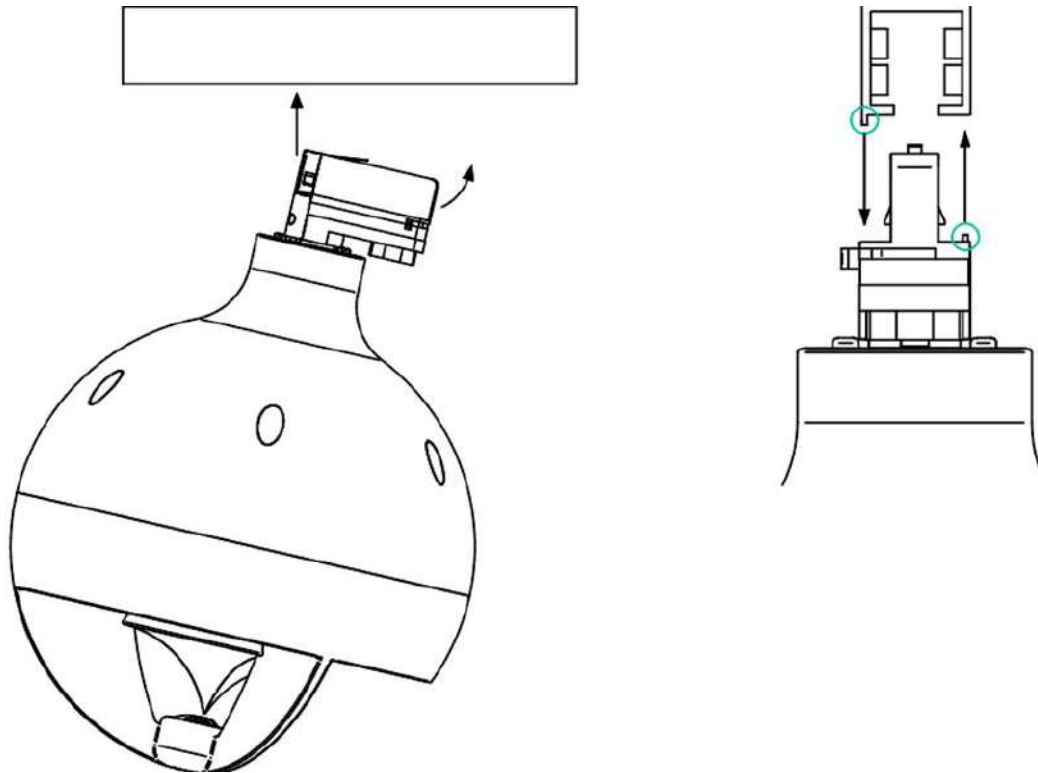
1. Drill three 6 mm holes in the wall, matching the position of the holes in the bracket.
2. Insert three 6 mm wall plugs into them.
3. Place the wall bracket in place, previously passing the supplied AC cable (if required) through the square hole in the bracket. Attach the bracket to the wall.
4. Place the speaker in its final position by sliding it vertically downward so that the guide on its back side matches the guide on the bracket.
5. Fasten the safety guide at the back of the mount (as shown in the diagram).
6. Orient the loudspeaker to the desired position on the vertical and horizontal axes. Tighten the Allen screws on the bracket to fix this position on both axes.
7. Power ON the unit by means of the back panel ON/OFF switch.



7.3. GLOBE receivers mounting

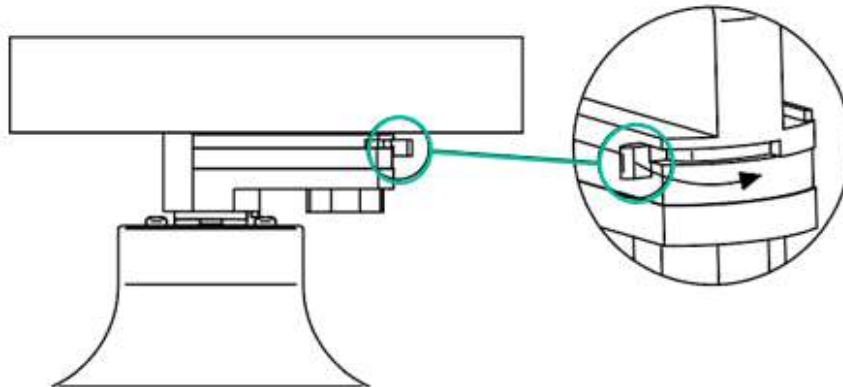
Follow these steps to install a GLOBE RM unit in a lighting rail:

1. Ensure that the 4-position (OFF-1-2-3) circuit selector wheel in the GLOBE unit is in the OFF position
2. Insert the loudspeaker in the lighting rail, as shown in the image



Connection to a GLOBAL Trac Pro / Eutrac lighting rail (three-circuit lighting track system)

3. Rotate the safety lug to secure the loudspeaker on the lighting rail. Rotate the circuit selector wheel to a position other than OFF, the one matching with a circuit in the rail that will deliver mains AC to the unit. Then, the safety lug will be locked



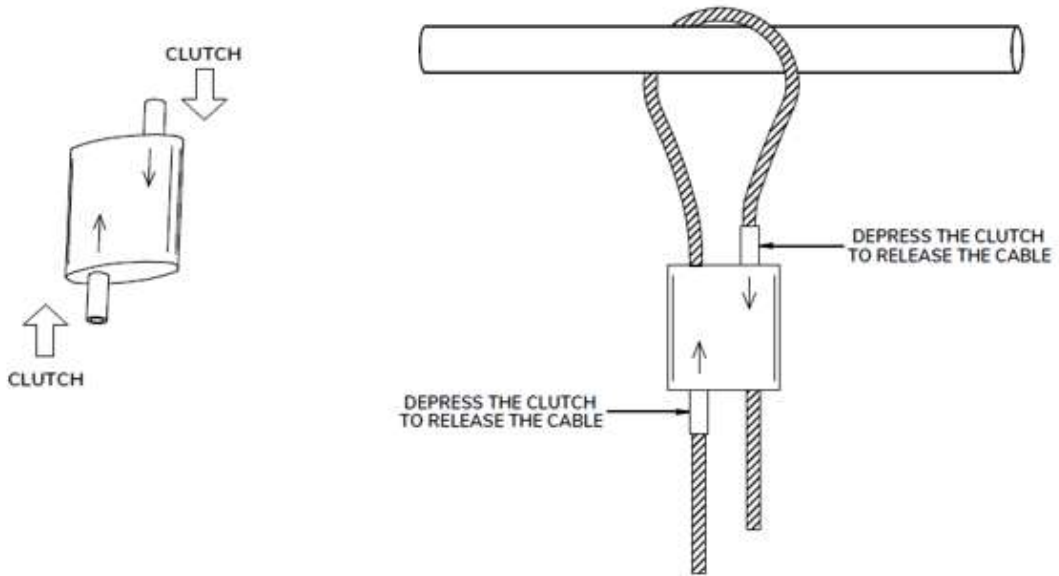
4. Check whether the unit is really powered ON or not by watching the LED indicators at its front: depending on the status of the receiver unit (at factory defaults, already paired, etc) blinking or fixed lit LEDs will appear.

Both LEDs OFF permanently will mean that the unit is not powered, probably not getting mains AC from the lighting rail. In this case, please check:

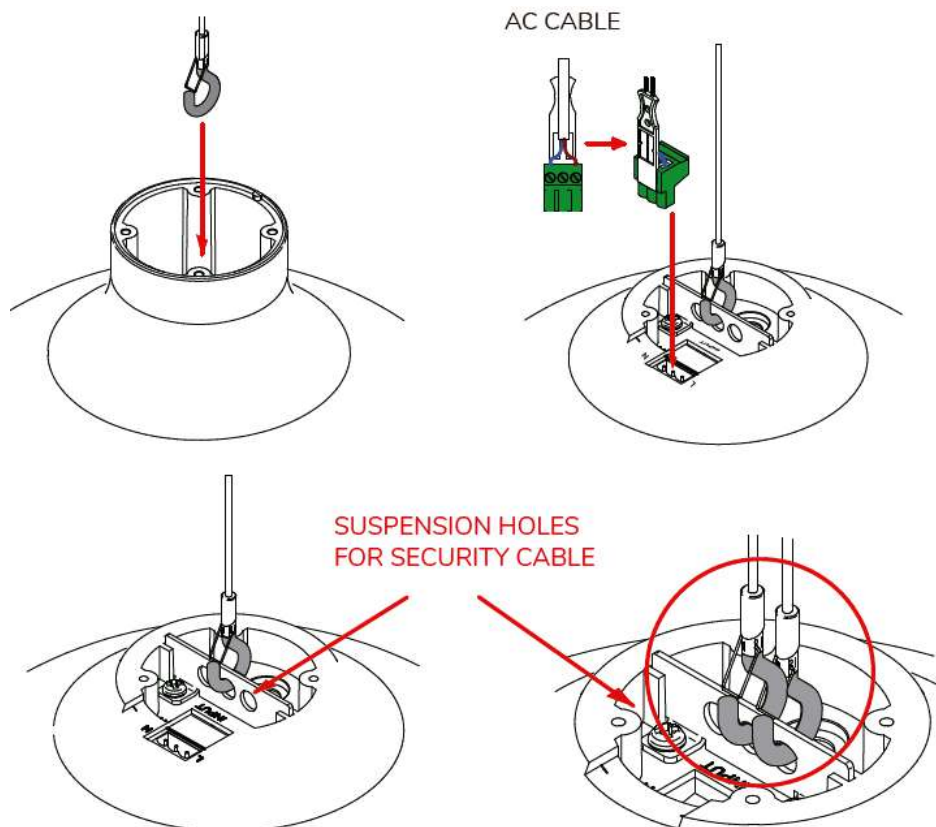
- The lighting rail is really powered with mains AC
- The GLOBE receiver circuit selector wheel is in the right position. Check the rest of positions to try to get a valid one, with some LED activity, thus getting mains AC from the rail tracks
- ON/OFF switch is in ON position and AC cable is connected

Follow these steps to install a GLOBE PD ceiling pendant:

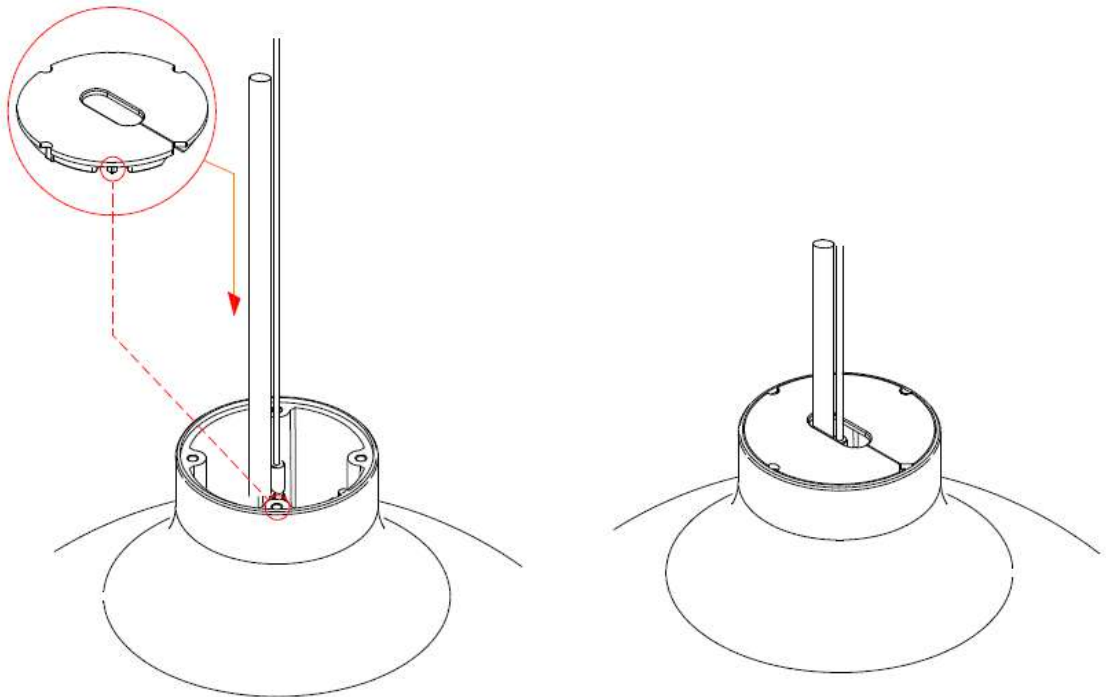
1. Insert the steel cords and adjust them to the bracket and to the desired height.



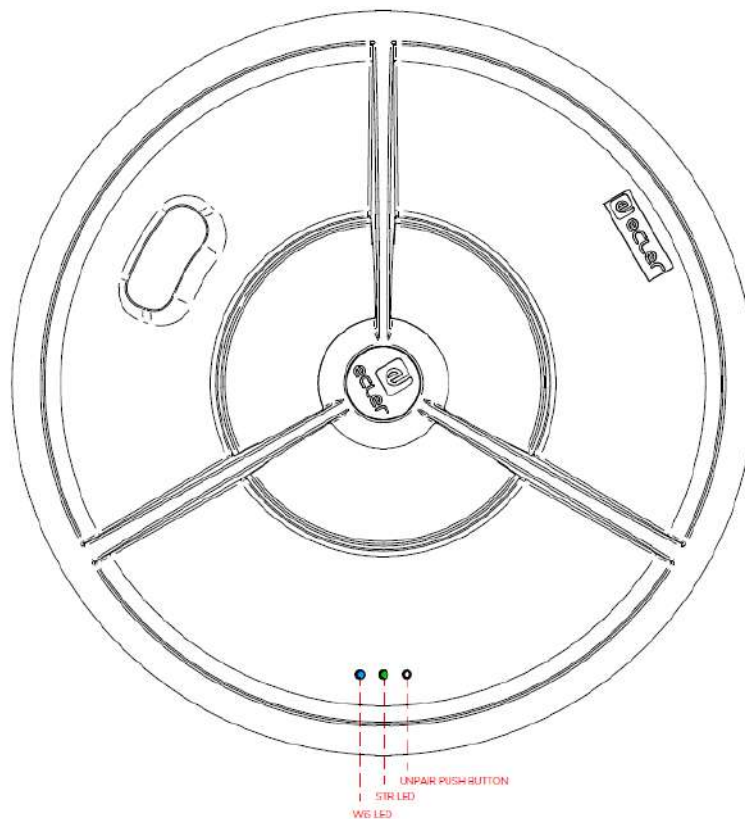
2. Hang GLOBE from the ceiling, attach the safety lanyard and connect the power cable.



3. After securing the safety cords and AC cable, fit the top cover of the wiring harness.



4. Check whether the unit is really powered ON or not by watching the LED indicators at its front: depending on the status of the receiver unit (at factory defaults, already paired, etc) blinking or fixed lit LEDs will appear.



7.4. CORE transmitter installation

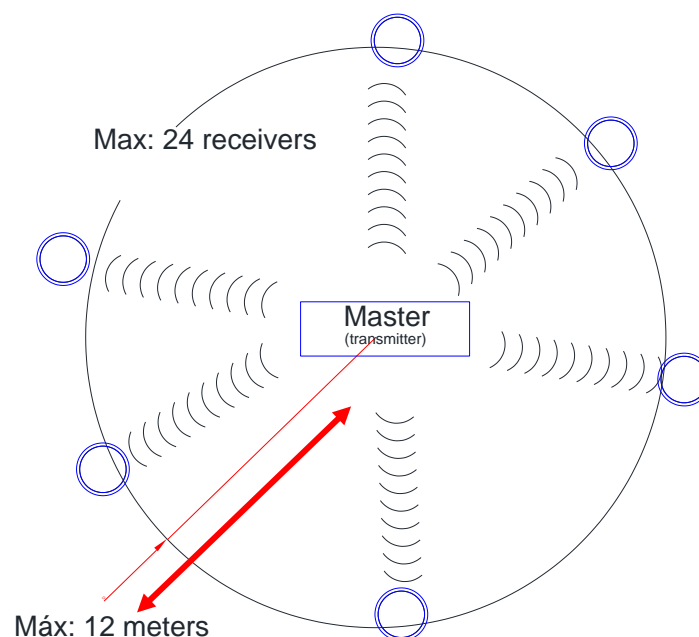
A CORE transmitter unit is necessary to control and feed with wireless audio a WiSpeak network of TUBE, CUBE and/or GLOBE receivers, up to a maximum of 24 units.

The CORE unit is suitable for installation on a wall or under a surface (table, shelf, cupboard, etc.), thanks to its design and layout of its connectors, controls and LED indicator lights. As it is a wireless transmitter device, it is very important to carefully study and decide the physical location of the transmitter and the receiver units in the venue.

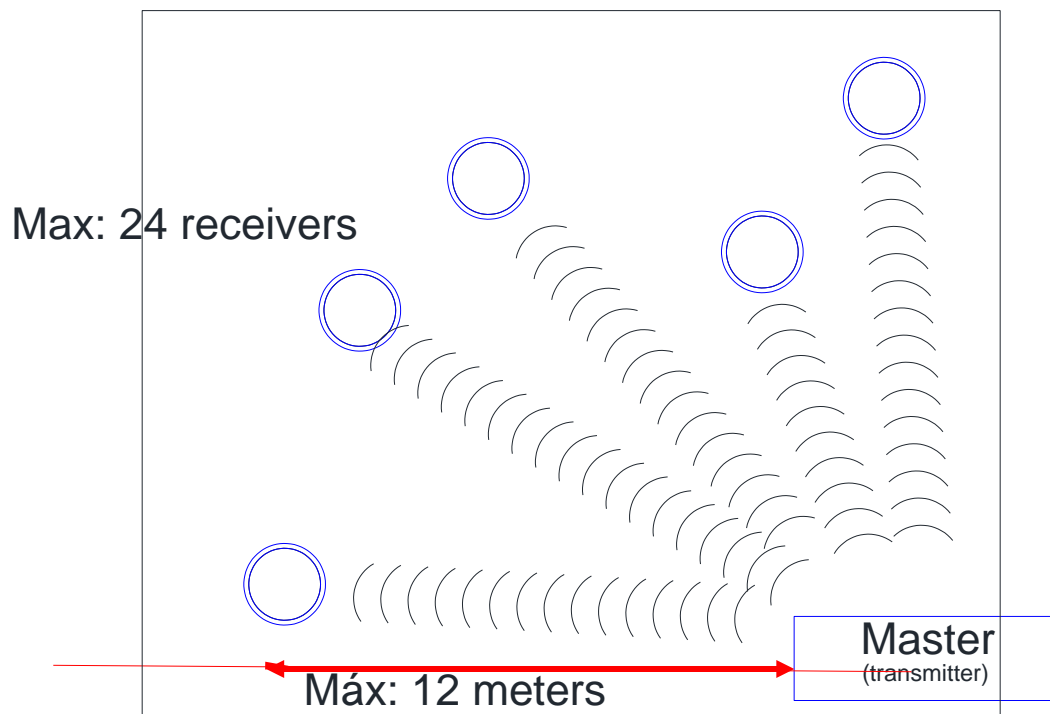
Please, follow the following guidelines to decide a location for the CORE unit that can get the best of a WiSpeak system in any venue:

- Maximum recommended installation height is 2 m.
- Take into consideration that the maximum RF operating scope from the CORE unit to any receiver unit (TUBE, CUBE or GLOBE) is 12 meters, with direct line of sight. This distance or shorter, with no obstacles in between both units, is required to try to ensure the maximum connection quality and stability possible
- To get the maximum coverage area in a certain space, the location of the transmitter unit (or **Master** unit) should be, ideally, as much centred as possible in respect to the receivers' network
- A minimum distance of 1 meter is required between 2 receivers

Example 1: the transmitter is at the centre of a perimeter disposition of receivers

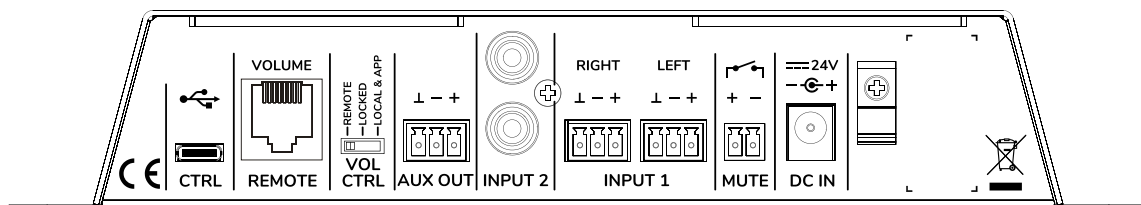


Example 2: the transmitter is close to a corner in a rectangular space, to be covered with WiSpeak receivers



In the second example, the maximum coverage area will be around $\frac{1}{4}$ th of the maximum coverage area in the first example

Once decided its location, the CORE transmitter must be fed with up to 3 audio inputs:



- INPUT 1: stereo balanced, Euroblock connectors (rear panel)
- INPUT 2: stereo unbalanced, RCA connectors (rear panel)
- INPUT 3: stereo, received via Bluetooth®, class 1 / up to 25 metre range (front panel antenna)

Note: INPUT 3 (Bluetooth®, class 1) and, especially, INPUT 1 (analogue, balanced) are suitable options to use when the transmitter unit is tried to be located as much centred as possible in respect to the loudspeakers (for instance, on the ceiling of a retail store, a restaurant or a corporate room), with the aim to get the maximum coverage are possible. Both options allow sending audio from the music source

(audio player) to the transmitter over long distances, which would be necessary in some cases, where it's not possible to have both devices close to each other.

For each channel (left or right) of the balanced input, INPUT1, the wiring is as follows):

Hot or direct signal	>	+ terminal
Cold or inverted signal	>	- terminal
Ground	>	⊥ terminal

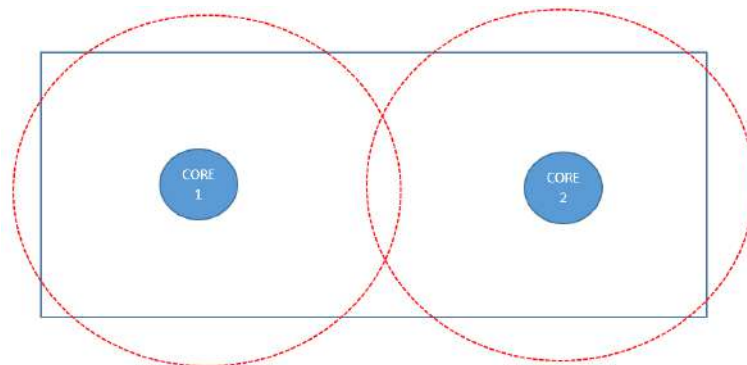
The AUX OUT connection is available to connect external audio systems, like subwoofer reinforcement loudspeakers, mixers, amplifiers, matrices, etc. By default, this output will deliver exactly the same audio signal as the one sent to the receivers' network, but this can be modified using the WiSpeak grip app.

When all the connections are made, it's time to power up the transmitter using the included external power supply, connected to the DC IN terminal at the rear panel, and start the WiSpeak setup process.

7.4.1 Multiple COREs installation

For large spaces you'll be able to install 2 or more CORE's transmitter units. In this case we recommend:

- Keep a minimum distance of 15 ~ 20m between COREs

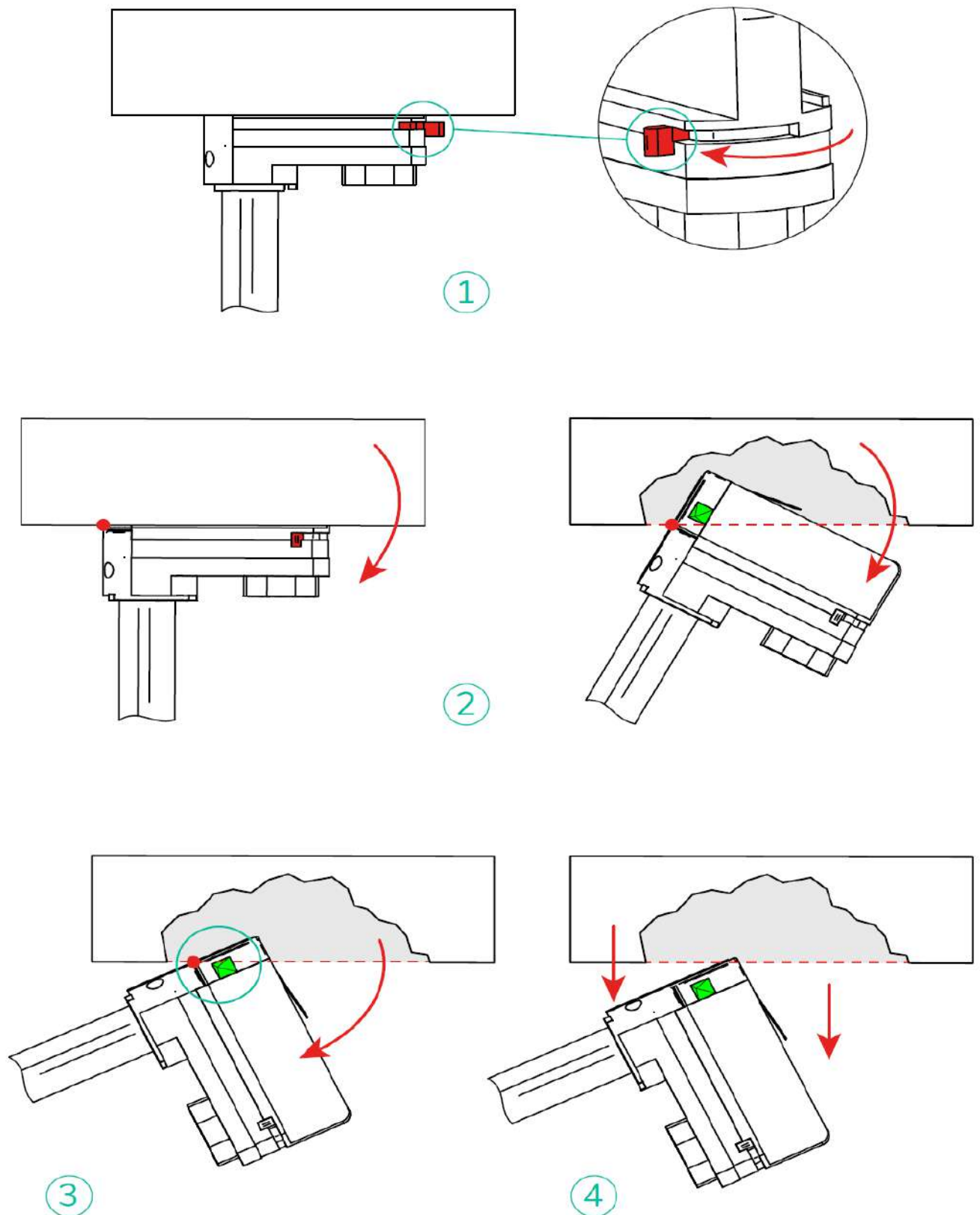


- With all devices installed, switched off and unpaired, switch on CORE 1
- Switch on the closest CORE 1 receivers and execute discover and link (with CORE 2 and the rest of receivers OFF)
- Once the first WiSpeak system is paired correctly, switch on CORE 2
- Switch on the rest of receivers and execute discover and link.

WARNING: Multiple CORE in the same room could reduce system performance. Best performance is reached by separating CORES as far as possible, location of transmitters is very important to avoid RF interferences.

7.5. Disassembling WiSpeak receivers from lighting rails installations

Before detaching the WiSpeak receiver, ensure that the 4-position (OFF-1-2-3) circuit selector wheel is set in the OFF position.



8. PAIRING THE RECEIVERS & STARTING UP THE WiSpeak SYSTEM

When a CORE transmitter is powered up for the very first time (or after a Factory Defaults reset has been applied to it), it will show the **WiS** LED permanently lit ON and the **RX** LED quickly blinking.

This LED code means that the CORE unit is ready to be paired to a network of receivers, TUBE, CUBE and/or GLOBE models, up to a maximum of 24 of them.

Note: before stating a pairing procedure, it's extremely important to check that the CORE transmitter and every single TUBE, CUBE or GLOBE receiver are them all powered ON and within the coverage range of the WiSpeak system. Otherwise, a **Partial Pairing** result can be achieved (See chapter 10 for further information)

The pairing process is as follows:

1. Make a short press on the recessed **WiS PAIR** key, using a small screwdriver or pin tool for that
2. The **Discover** process, or scan for available receivers, will start. Both LED indicators (WiS and RX) will blink together (not alternately) during the time it takes to finish it (the full procedure can take several seconds to finish completely)
3. When it's over, and the network connections have been stabilised, both LEDs will stay permanently lit, with no blinking. This means that a valid pairing process has been performed, and a solid WiSpeak network exists between the transmitter and from 1 to a maximum of 24 receivers

[See chapter 10](#) for further information about the WiSpeak pairing system and procedure.

Once the pairing process is over and successful, the system is ready to be used:

- Press the SELECT key to select which audio source, from the 3 inputs available, will be the selected one to be sent and played by the receivers' network. A dedicated LED for each input will turn ON when it is selected. When the Bluetooth input is selected, its blue LED will remain permanently lit when there's a Bluetooth emitter paired and correctly connected to it, and will blink when there is not
- Gesture the VOLUME knob to adjust the Master (general) volume of the installation. A short press of the same knob will activate / deactivate the MUTE function of the system (meanwhile MUTE is ON, Volume can't be modified)

Note: the Bluetooth® audio input needs a standard Bluetooth® pairing process from the audio player (smartphone, tablet, computer, etc.) to the CORE transmitter.

[For further information on how to identify the ID and pairing code, please refer to the "Bluetooth CONNECTION TO THE MASTER UNIT" chapter of the WiSpeakGrip app manual.](#)

The above process provides a solid “plug&play” method to easily set a system up and running in few minutes, with no need to use the **WiSpeak grip** app. However, WiSpeak grip provides the installer of the system with many additional fine-tune options that can lead to a system’s more precise performance, better yet customised to each venue and end user profile requirements. WiSpeak grip also can provide a very simple control screen for end users, just including a general volume control and audio source selection, both under the limits specified by the Admin (installer).

See WiSpeak grip app user manual for further information.

8.1 WiSpeak system receivers protection

The WiSpeak system receivers (GLOBE, CUBE and TUBE) are equipped with a self-protective mechanism to prevent component damage when the amplifier detects excessive signal power. When this system is activated, the receiver is muted for a few seconds before returning to normal operation.

The over-power detection threshold is set with enough headroom above the power level so that the drivers can handle it without distortion or audible clipping. Thus, if the WiSpeak system's input signals and output volumes are adjusted within the recommended range (i.e. without audible distortion to the receivers), the receivers will be operating below the over-power detection threshold, thus preventing the protection mechanism from kicking in.

Out of the three WiSpeak receivers, GLOBE would fit those applications where the lower frequencies of the spectrum need to be reinforced, either on its own or in combination with TUBEs and even CUBEs. Under no circumstances, GLOBE should be considered or used as a traditional subwoofer.

9. CORE transmitter VOLUME control: REMOTE and MUTE control ports

The CORE transmitter includes two audio control interfaces at its back panel:

- **MUTE** port, Normally Open, Euroblock 2 pin connector: it allows to connect an external dry contact circuit (relay, switch, etc.) that, when closed, will MUTE the WiSpeak wireless audio transmission, as well as the audio delivered at the AUX OUT back panel connector. It is a very useful way of silencing the WiSpeak audio system completely whenever an external emergency or alarm system, for instance, must be activated
- **REMOTE** port, RJ45 connector: it allows connecting a WPaVOL or compatible wall panel, providing the end user with a very simple volume control method, and using a standard CAT5 cable to connect the wall panel to the CORE unit

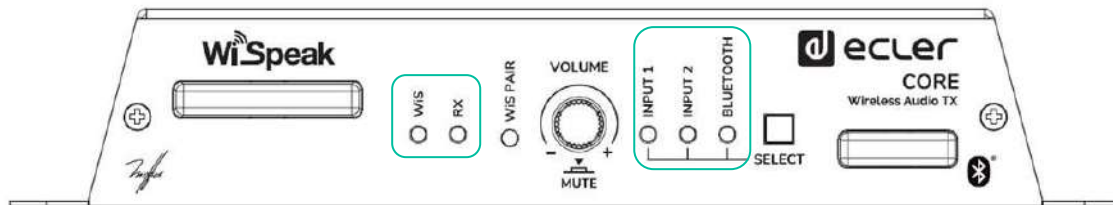
The 3-positions **VOL CTRL** switch at the back panel of a CORE transmitter provides these 3 volume control options:

- **LOCAL & APP**: at this switch position, the general volume of the WiSpeak system can be controlled using the front panel VOLUME knob and the WiSpeak grip app. Both methods can adjust the volume within the minimum and maximum volume range that can be defined using the WiSpeak grip app (Admin user) (*). The REMOTE VOLUME port is disabled in this position
- **LOCKED**: when the switch is set to this position, the volume control keeps the current value and remains blocked. It can't be modified again using any method, unless the switch is set to a different position
- **REMOTE**: at this switch position, the volume can just be adjusted using the WPaVOL wall panel connected to the REMOTE port. The CORE front panel VOLUME knob and the WiSpeak grip app volume faders are then disabled in this position (*)

(*) The general volume control, by any method used, can be limited within a given minimum and maximum volume range, which can be defined using the WiSpeak grip app (Admin User)

10. LED information, codes and additional procedures

10.1 CORE transmitter



The front panel LEDs provide information about the working status of the unit and the currently selected source.

- **WiS / RX LEDs**

At the left-hand side, there are two LED indicators that provide information about the global status of the transmitter unit and its network of paired receivers: **WiS** (WiSpeak interface status) and **RX** (receivers' network status), with these possible codes or combinations:

WiS LED	RX LED	Transmitter status
ON	-	The WiSpeak wireless interface is working properly
OFF	-	The WiSpeak wireless interface is not working properly. Please, contact your authorised Technical Service
ON	ON, permanently	The unit is paired to a network of receivers and working properly, with all the paired receivers currently online. This is the usual status after the system has been set up, and running in normal conditions with no receiver in offline condition
ON	Blinking sequence (3 seconds loop)	Within a 3 seconds loop sequence, every single blink that is shown means that one of the paired receivers is offline, or not reached by the transmitter for any reason (it is powered OFF, or out of range, or it is failing, etc.). Under this scenario, it is recommended to use WiSpeak grip app for a proper troubleshooting
ON	Blinking quickly	The transmitter unit is ready to be paired to a network of receivers, up to a maximum of 24 of them
Blinking	Blinking sequence (3 seconds loop)	The last pairing process ended up with a Partial Pairing result (see chapter 7 for further information)

- **INPUT1 / INPUT2 LEDs**

- Permanently ON: IN1 or IN2 is selected, and its incoming audio signal is sent via WiSpeak wireless audio transmission to the receivers' network. Short-press the SELECT key to modify the input selection
- Blinking (gain adjust mode): when IN1 or IN2 is selected (its LED is in fixed ON condition), a long press (> 5 seconds) of the SELECT key will get the unit into gain adjust mode. Rotate the front panel knob to adjust an input's gain:
 - IN1 gain: 14 steps, each one increasing or decreasing with each knob's rotation step
 - IN2 gain: 5 steps, each one increasing or decreasing with each knob's rotation step

A short press on SELECT key will exit the gain adjust mode.

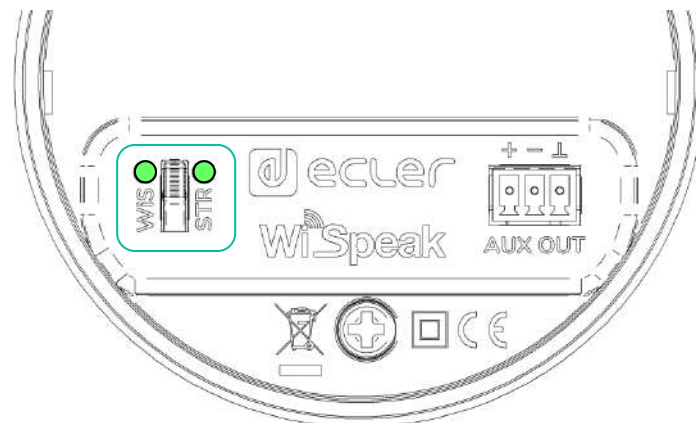
- **BLUETOOTH® LED**

- Permanently ON: the Bluetooth® input is selected, and **there is an external device** (smartphone, tablet, computer, audio player, etc.) **connected to the CORE unit for audio transmission** (A2DP). If a valid media is played in this external device and transmitted via Bluetooth®, it will be received by the CORE unit and sent via WiSpeak wireless audio transmission to the receivers' network
- Blinking: the Bluetooth® input is selected, but **there is NOT an external device** (smartphone, tablet, computer, audio player, etc.) **connected to the CORE unit for audio transmission** (A2DP). Therefore, even the Bluetooth® input is selected in the CORE unit, no audio will be received via Bluetooth® by the CORE unit, thus not sent via WiSpeak wireless audio transmission to the receivers' network

10.2 TUBE / CUBE / GLOBE receivers

10.2.1. TUBE

The TUBE receiver has two LED indicators at its rear panel: WiS (WiSpeak interface status) and STR (wireless streaming reception status):

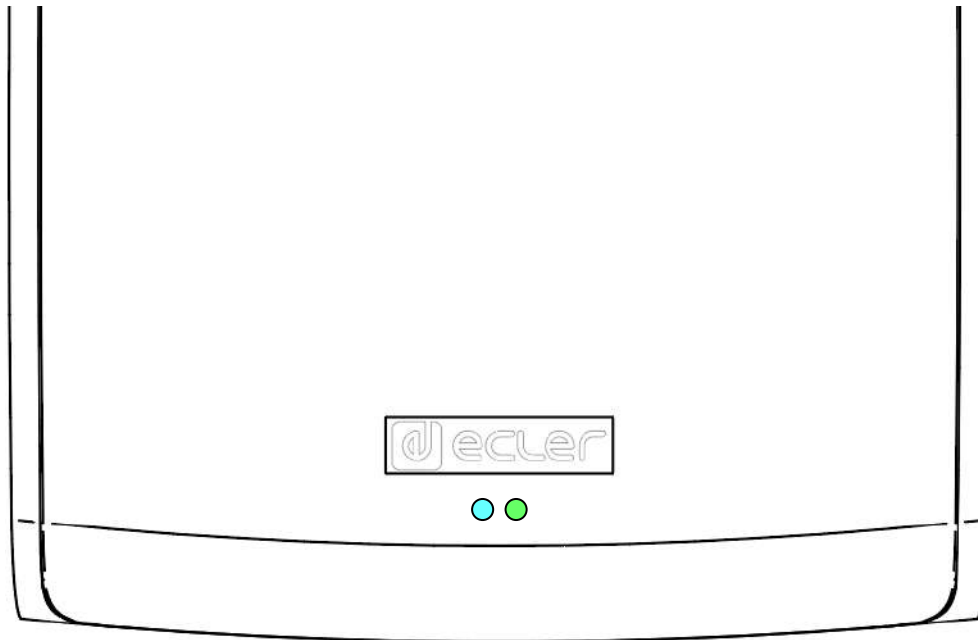


The possible combinations of the status of both LEDs have the following meaning regarding the status of a TUBE receiver unit:

WiS Green LED	STR Green LED	Receiver status
OFF	ON permanently	The unit is paired with a transmitter, currently reached by it (online) and receiving WiSpeak wireless audio correctly. This is considered the correct status of a receiver in normal working conditions
OFF	Blinking	The unit is paired with a transmitter, but currently not online with it for any reason (the transmitter is OFF, out of range, etc.), and trying to establish a proper WiSpeak connection
Blinking	Blinking	The unit is not paired to any transmitter and it is available to be paired to a transmitter

10.2.2. CUBE

The CUBE receiver has the same two LED indicators, but visible through the front panel grill, under the Ecler logo.

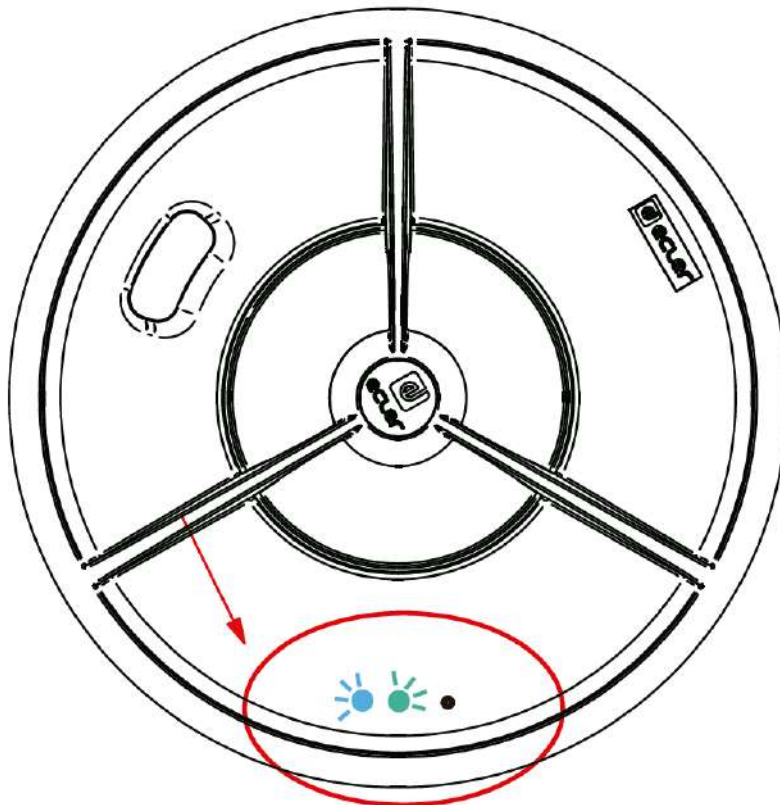


The possible combinations of the status of both LEDs have the following meaning regarding the status of a CUBE receiver unit:

WiS Blue LED	STR Green LED	Receiver status
OFF	ON permanently	The unit is paired with a transmitter, currently reached by it (online) and receiving WiSpeak wireless audio correctly. This is considered the correct status of a receiver in normal working conditions
OFF	Blinking	The unit is paired with a transmitter, but currently not online with it for any reason (the transmitter is OFF, out of range, etc.), and trying to establish a proper WiSpeak connection
Blinking	Blinking	The unit is not paired to any transmitter and it is available to be paired to a transmitter

10.2.3. GLOBE

The GLOBE receiver has the same two LED indicators, but visible through the front panel



The possible combinations of the status of both LEDs have the following meaning regarding the status of a GLOBE receiver unit:

WiS Blue LED	STR Green LED	Receiver status
OFF	ON permanently	The unit is paired with a transmitter, currently reached by it (online) and receiving WiSpeak wireless audio correctly. This is considered the correct status of a receiver in normal working conditions
OFF	Blinking	The unit is paired with a transmitter, but currently not online with it for any reason (the transmitter is OFF, out of range, etc.), and trying to establish a proper WiSpeak connection
Blinking	Blinking	The unit is not paired to any transmitter and it is available to be paired to a transmitter

11. Extended information about the WiSpeak PAIRING PROCEDURE

The WiSpeak pairing procedure must be necessarily performed at least once to setup a WiSpeak system, after the transmitter and all the receivers have been physically installed and powered, and it's time to set up and run the installation.

But it can be performed later again, for a second, third, or more times if needed, and due to many possible reasons, like:

One or more TUBE / CUBE / GLOBE receivers have been added to the initial batch

One or more receivers have been removed

One or more receivers have been replaced by other units

... or, sometimes, because the last pairing process was not 100% satisfactory (we'll call it "**Partial Pairing**")

The pairing procedure is accumulative, meaning this that:

- When the pairing procedure is done for the first time, it starts a **Discover** process, or scan for available receivers. Both LED indicators (WiS and RX) will blink together (not alternately) during the time it takes to finish it
- It ends up with a internal list in the transmitter containing the successfully paired receivers
- When performed over again (for the second, third time, or further) it scans once more to check whether those receivers already in the paired list are online or not, and also tries to find out more available (new, unpaired) receivers. The list is then increased including the new receivers successfully paired, but it will also log the ones already paired in the past, but not successfully reached during the last scan, if any (*)

(*) If that happens (one or more paired receivers in the past are not correctly reached during a new pairing process), we're facing a **Partial Pairing** result.

A **Partial Pairing** result will be displayed with the following transmitter's front panel LED code:

- **WiS** LED: blinking
- **RX** LED: blinking within a 3 seconds loop sequence. Every single blink that is shown means that one of the paired receivers in the past is currently offline, or not reached by the transmitter for any reason (it is powered OFF, or out of range, or it is failing, etc.). Under this scenario, it is recommended to use WiSpeak grip app for a proper troubleshooting.

Warning: in case a pairing procedure results in a Partial Pairing, **a new pairing process will be required**, after having applied the proper countermeasures to try to pair again and get a successful result. **A WiSpeak system always needs a successful pairing process to start performing in a stable and reliable way.**

Please, apply countermeasures (check coverage distances, receivers and transmitter power and integrity, etc.) and repeat the pairing procedures as many times as necessary to finally end up with a successful pairing status.

12. UNPAIR PROCEDURE

Whenever a system needs to be restored back to an “unpaired” status (to start the installation from scratch, to reuse the hardware units in a different environment, etc.), the following steps must be followed:

- Check that the transmitter is powered ON
- Check that each and every single receiver paired to it is as well powered ON
- Check that both the transmitter and all the receivers paired to it are performing correctly (see chapter 8 for further information)
- Press and hold the WiS PAIR recessed key, with a small screwdriver or pin tool, for more than 5 seconds
- WiS and RX LEDs will start blinking alternately for some seconds, until the unpair process finishes

After a successful unpair procedure:

- WiS LED should remain lit ON and the RX LED should blink quickly in the transmitter, meaning this that the transmitter unit is ready to be paired to a network of receivers, up to a maximum of 24 of them
- WiS LED and STR LEDs will both blink in each receiver, meaning this that the unit is not paired to any transmitter and it is available to be paired to a transmitter

(*) Note: when it happens that one TUBE, CUBE or GLOBE receiver is not in these conditions (powered ON, paired and online with its Master transmitter), the unpair procedure conducted by the transmitter, and described above, will be unable to unpair that particular receiver unit. In this case, the alternative method of unpairing a receiver is by pressing and holding its rear panel UNPAIR key for 5 seconds, starting its own unpair process. It will end up with its WiS LED and STR LEDs blinking, meaning this that the unit is not paired to any transmitter and it is available to be paired to a transmitter

13. SPECIAL RESET PROCEDURES

Sometimes it will necessary to reset the transmitter / receiver units to their factory defaults, or perhaps just the Bluetooth® module to its factory defaults as well.

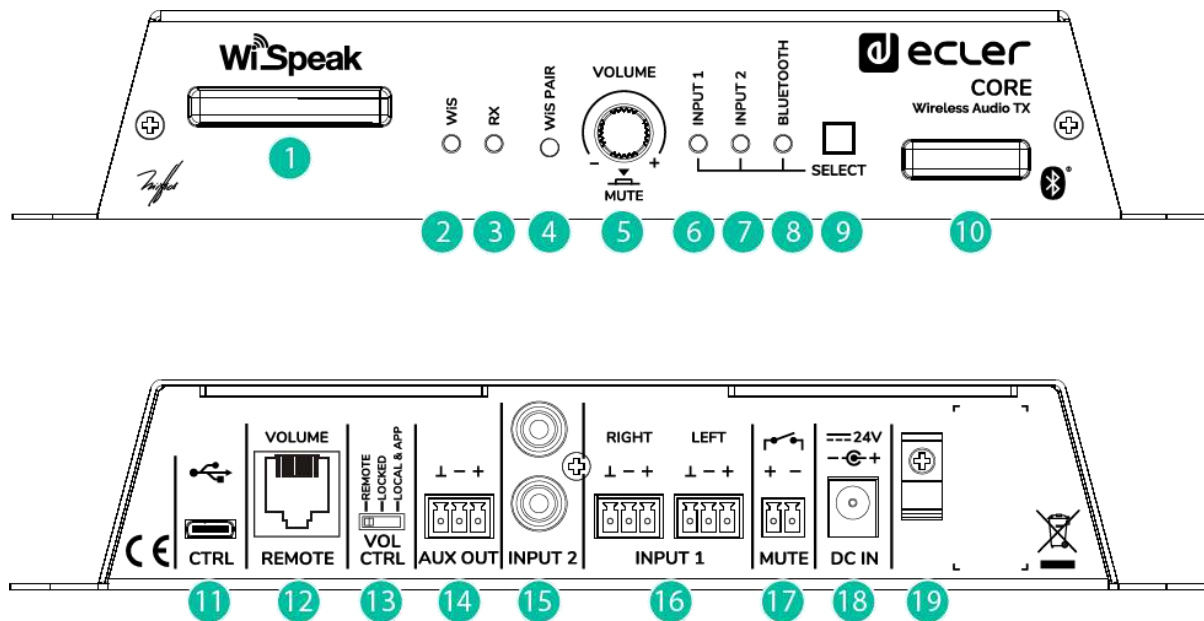
As both procedures are extremely dangerous for a running WiSpeak system when applied without the proper permissions, and/or without the right knowledge of their consequences, we beg you ask your official WiSpeak installer / distributor to carry them out.

14. CLEANING

The casing should not be cleaned with solvents or abrasive materials since they can damage the screen printing. To clean the product, please used a cloth dampened with a mild liquid detergent and water, and wipe it off with a dry and clean cloth. Be careful that water never gets into the unit through its holes.

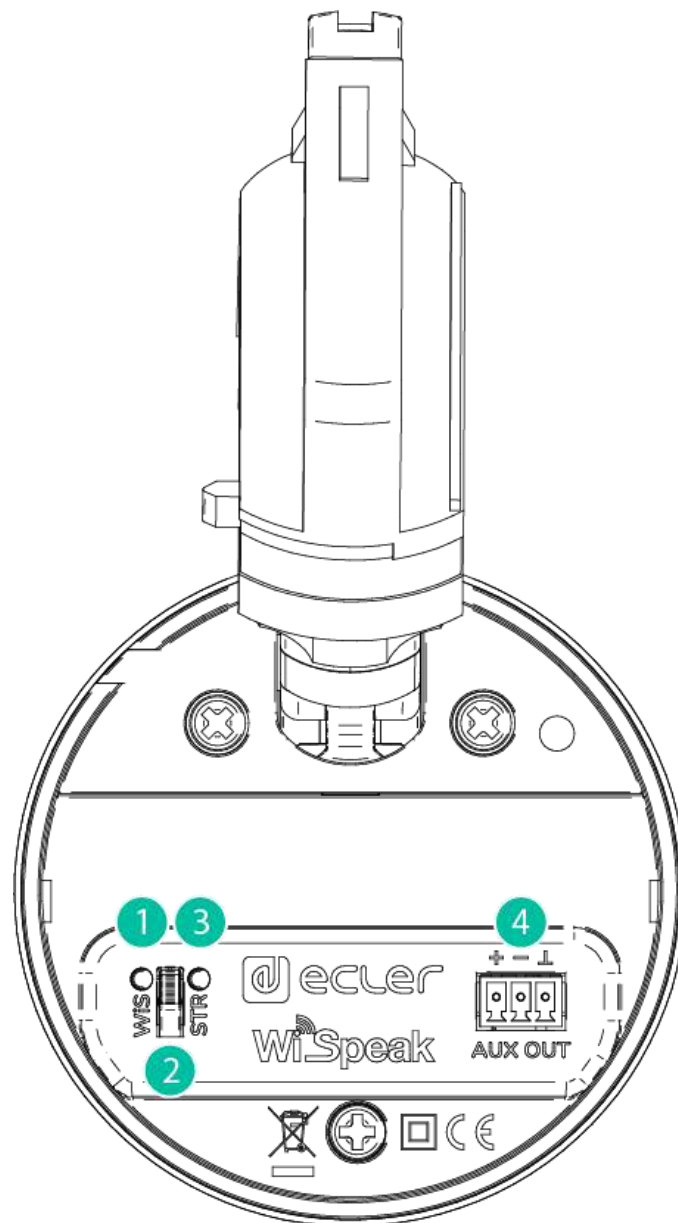
15. FUNCTION DIAGRAMS

15.1. CORE



1. RF Antenna
2. WiSpeak LED
3. RX LED
4. WiSpeak Pair key
5. Volume / MUTE
6. Input 1 LED
7. Input 2 LED
8. Bluetooth® LED
9. Input Source Selector
10. Bluetooth® Antenna
11. Service USB-C port
12. Volume Remote RJ45 Port
13. Volume Control Selector
14. Local Aux Output
15. Input 2: unbalanced RCA connector
16. Input 1: balanced Euroblock connector
17. Mute GPI
18. DC in
19. DC cable security fixation

15.2. TUBE

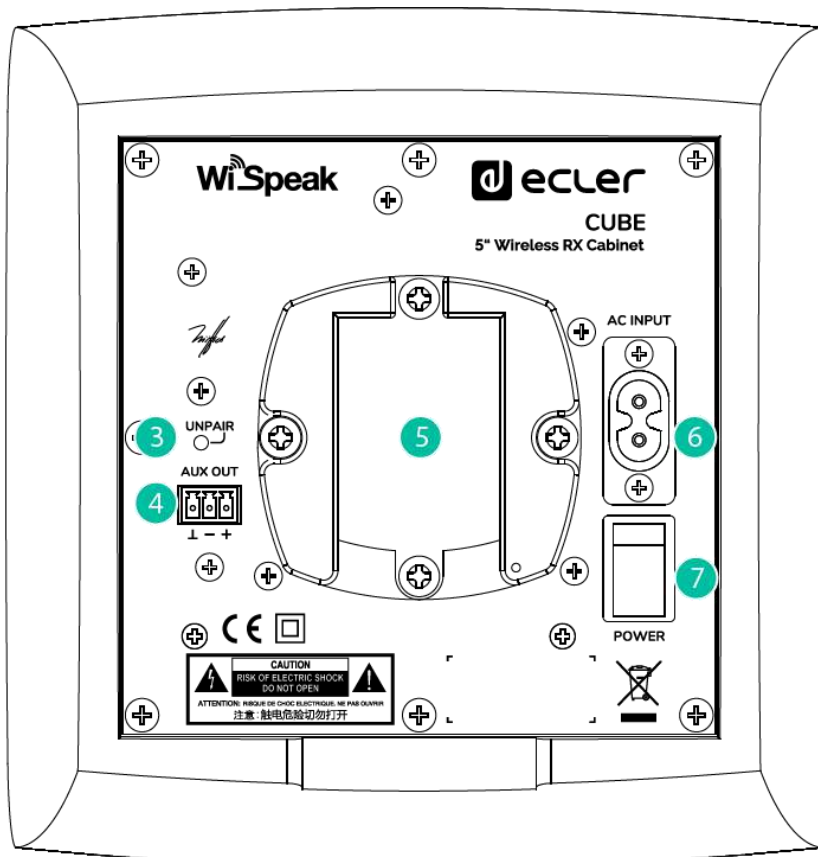


1. WiSpeak interface status LED
2. WiSpeak Pair key
3. Wireless streaming reception status LED
4. Local Aux Output

15.3. CUBE

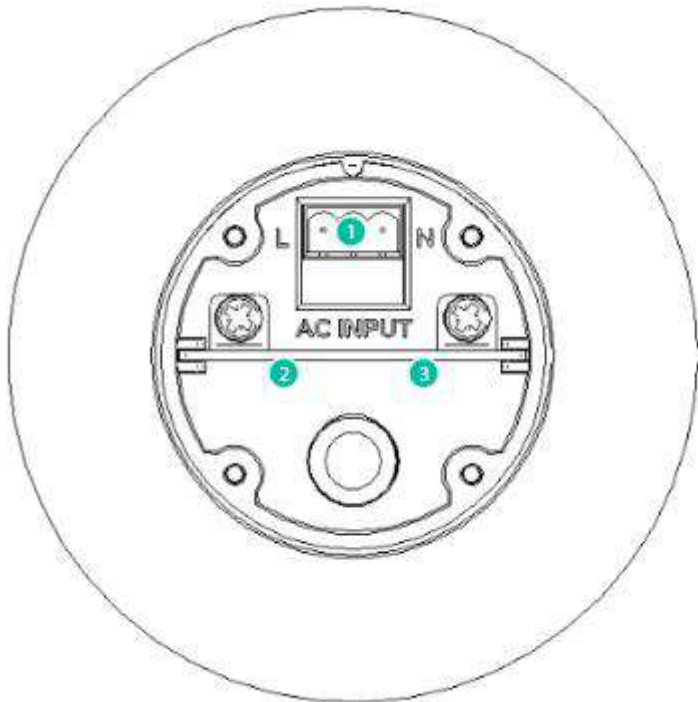


1. WiSpeak interface status LED
2. Wireless streaming reception status LED
3. WiSpeak Pair key
4. Local Aux Output
5. Rail / wall bracket guide
6. AC cable connector
7. Mains switch



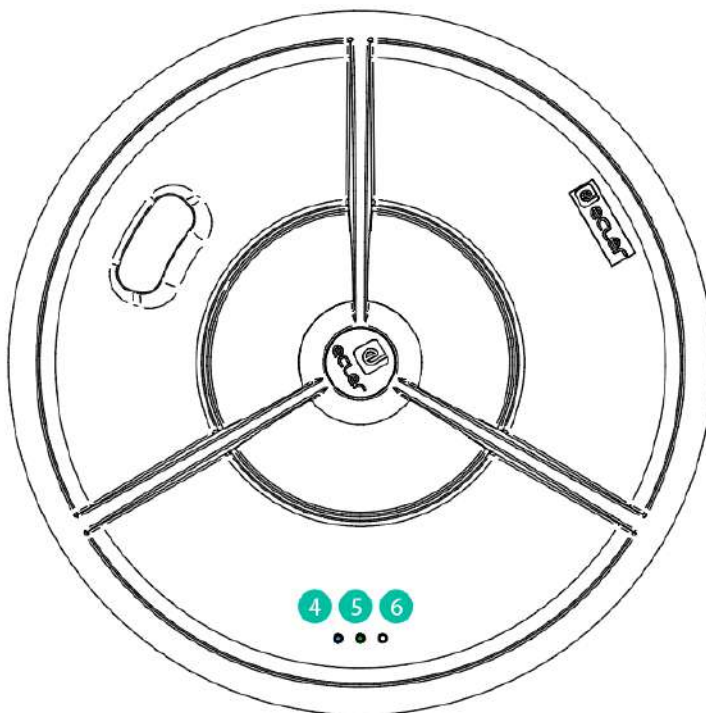
15.4. GLOBE

GLOBE PD Rear panel



1. AC Euroblock connector
2. Suspension hole for security cable
3. Suspension hole for security cable
4. WiSpeak interface status LED
5. Wireless streaming reception status LED
6. Unpair Push Button

GLOBE Front panel (PD and RM)



16. TECHNICAL CHARACTERISTICS

16.1. CORE

Inputs		
	Type	IN1: Balanced, Stereo, Euroblock IN2: Unbalanced, Stereo, RCA BT: Bluetooth wireless
Input Sensitivity* / Nominal Impedance		IN1: -10dBV to 0dBV / >20kΩ IN2: -10dBV to 0dBV / >20kΩ BT: -10dBV FS
Gain Control Range ²		IN 1&2: 10dB
Input Selector (same selection for Ch1&2)		Frontal panel keys / WiSpeak grip control app
	CMRR	IN2: >60dB @ 1kHz
	Bluetooth Input	Type: Compliant 5.0, Class 1 Range: 25m (ideal conditions) Profiles: A2DP1.3/AVRCP1.6/HFP1.6/HSP1.2 Decoder support: SBC, AAC
Frequency Response (at TX AUX OUT)		IN1: 10Hz – 20kHz (-1dB) IN2: 10Hz – 20kHz (-1dB) BT: 10Hz – 20kHz (-1dB)
THD+D (at TX AUX OUT)		IN 1&2: <0.015%
Signal Noise Ratio (at TX AUX OUT)		IN 1&2: >95dB
Local Output		
	Type	AUX OUT: Analog, Mono, Balanced, Euroblock
	Input Selection	CH 1&2: WiSpeak grip control app
Nominal Output Level / Min Load		AUX OUT: 0dBV / 10kΩ
WiSpeak Channels (RF Wireless Audio)		
	Channel	CH 1&2: Digital, Mono, RF Wireless Audio
General Controls (affects Ch1&2)		Master VOL, MUTE: Frontal panel keys / WiSpeak grip control app
Tone Control ³ (independent for each Ch)		BASS: 100Hz, ±10dB MID: 1k2kHz, ±10dB TREBLE: 10kHz, ±10dB
High Pass Filter ³ (independent for each Ch)		OFF / 120Hz / 150Hz Butterworth 12dB/oct
Low Pass Filter ³ (independent for each Ch)		OFF / 120Hz / 150Hz Butterworth 12dB/oct

RF Wireless Audio	
Frequency Band	U-NII 5.1 – 5.8GHz (supported worldwide) Up to 24 non-overlapping RF channels ⁴ DFS support
Transmission Recommended Distance	Up to 12m from a TX to any paired RX, direct line of sight ¹
Audio Transmission	24bit uncompressed, 48kHz SR
Audio Channels	WiSpeak CH 1&2
Latency (I2S digital audio to RX output)	5.1ms, fixed
Inter-channel delay error	±1us
Reconnection time	Up to 120s ⁵
Pairing time	Up to 120s ⁵
Latency	
From TX Analog Audio IN to TX AUX OUT	<700usec
From TX Analog Audio IN to TR AUX OUT	<6ms
From TX Analog Audio IN to RX Speaker	<6ms
DSP	
Processor	25 / 56 bits
Sampling Rate	48kHz
Converters	
Resolution	ADC/DAC: 24 bits
Dynamic Range	ADC: 96dB DAC: 98dB
Miscellaneous	
Control Port	USB-C: Service & Firmware updates
Supply	
DC Supply	24VDC
Mains (using supplied DC adapter)	100-240AC 50-60Hz
Power Consumption	0.5A at 24V
Mechanical	
Dimensions (WxHxD)	225x120x40mm / 8.9"x4.7"x1.6"
Weight	0.8kg / 1.76 lb.

16.2. TUBE

WiS (RF WIRELESS DIGITAL AUDIO)	
Frequency band	U-NII 5.1 – 5.8GHz (supported worldwide) Up to 24 non-overlapping RF channels ² DFS support
Coverage range	Up to 12m from a TX to any paired RX, direct line of sight ¹
Audio channels	WiSpeak CH1 / CH2
Audio transmission	24bit uncompressed, 48kHz SR
Digital Audio Sample size	24 bits
Digital Audio Sampling rate	48kHz
Digital Audio Frequency Response	20Hz – 20kHz (-0.1dB)
Digital Audio converters	DAC Resolution: 24 bit DAC Dynamic range: 100dB
Latency	From TX IN to RX AUX OUT <6ms From TX IN to RX Speaker <6ms Jitter among receivers ±1us
Pairing time	Up to 120s ³
Reconnection time	Up to 120s ³
SYSTEM	
Effective Freq. Range	105 - 20kHz (-10dB)
Coverage angle	180x180 (HxV)
Sensitivity	83 dB (1W/1m)
Maximum SPL	96 dB continuous / 102 dB peak
TRANSDUCERS	
Ways	1-way
Driver	3" driver
Nominal impedance	4Ω
POWERED	
Power	18 W RMS / 72 W Peak
Audio inputs	CH1 / CH2: Digital, Mono, RF Wireless Audio
Audio outputs	Internal Loudspeaker: Analog, Mono, Self powered AUX OUT: Analog, Mono, Balanced, Euroblock
THD + Noise	<0.15% @1kHz Full power
Signal Noise Ratio	>95dB at RX AUX OUT
Input sensitivity	0dBV / 10kΩ

ELECTRICAL	
Power supply	Universal, internal power supply
AC mains requirement	100-240VAC @ 50-60Hz
AC mains connector	From lighting rail bracket
Power consumption	15W (rated)
MONITORING AND CONTROL	
Volume control	via WiSpeak grip app.
Other controls	SOLO: via WiSpeak grip app ID TEST SIGNAL: via WiSpeak grip app PAIR / UNPAIR: via WiSpeak grip app and Panel button
LED Indicators	WiS and STR LEDs
Programing and control	WiSpeak grip app
PHYSICAL	
Connection type	Ceiling rail AC connection
Installation options	Ceiling light rails, or surface using TUBE SMA
Certifications	FCC, EMC
Mounting system	Lighting rail mount compatible
Rail fixing system	4 wire 3 circuit track system compatible
Compatible rail systems	Global Track Pro or compatibles
Operating temperature	Min: -10°C ; 14°F / Max: 40°C ; 104°F
Operating humidity	<85% HR
Storage temperature	Min: -10°C ; 14°F / Max: 40°C ; 104°F
Storage humidity	<90% HR
Included accessories	Lighting rail mount
Optional accessories	Surface mount accessory (TUBE SMA)
Finished colour	White (RAL 9003) or black (RAL 9005)
Dimensions (ØxD)	Ø96x130mm / Ø3.8" x 5.1" in.
Support arm	Swivel (pan and tilt)
Weight	0.8 kg / 1.76 lb
Pieces per box	1 unit
Shipping dimensions (WxHxD)	195 x 185 x 245 mm / 7.68 x 7.28 x 9.65 in.
Shipping weight	1.12 kg / 2.47 lb

16.3. CUBE

WiS (RF WIRELESS DIGITAL AUDIO)	
Frequency band	U-NII 5.1 – 5.8GHz (supported worldwide) Up to 24 non-overlapping RF channels ² DFS support
Coverage range	Up to 12m from a TX to any paired RX, direct line of sight ¹
Audio channels	WiSpeak CH1 / CH2
Audio transmission	24bit uncompressed, 48kHz SR
Digital Audio Sample size	24 bits
Digital Audio Sampling rate	48kHz
Digital Audio Frequency Response	20Hz – 20kHz (-0.1dB)
Digital Audio converters	DAC Resolution: 24 bit DAC Dynamic range: 100dB
Latency	From TX IN to RX AUX OUT <6ms From TX IN to RX Speaker <6ms Jitter among receivers ±1us
Pairing time	Up to 120s ³
Reconnection time	Up to 120s ³
SYSTEM	
Effective Freq. Range	70 - 20kHz
Coverage angle	150x150 (HxV)
Sensitivity	83 dB (1W/1m)
Maximum SPL	98 dB continuous / 104 dB peak
TRANSDUCERS	
Ways	2 ways
Low frequency driver	5" woofer
High frequency driver	1" tweeter
Nominal impedance	8Ω
POWERED	
Power	32 W RMS / 128 W Peak
Audio inputs	CH1 / CH2: Digital, Mono, RF Wireless Audio
Audio outputs	Internal Loudspeaker: Analog, Mono, Self powered AUX OUT: Analog, Mono, Balanced, Euroblock
THD + Noise	<0.15% @1kHz Full power
Signal Noise Ratio	>95dB at RX AUX OUT
Input sensitivity	0dBV / 10kΩ

ELECTRICAL	
Power supply	Universal, internal power supply
AC mains requirement	100-240VAC @ 50-60Hz
AC mains connector	From lighting rail bracket, or standard 2-pin AC plug
Power consumption	15W (rated)
MONITORING AND CONTROL	
Volume control	via WiSpeak grip app.
Other controls	SOLO: via WiSpeak grip app ID TEST SIGNAL: via WiSpeak grip app PAIR / UNPAIR: via WiSpeak grip app and Panel button
LED Indicators	WiS and STR LEDs
Programing and control	WiSpeak grip app
PHYSICAL	
Connection type	Standard 2-pin connector for VAC
Installation options	Surface, desktop, shelf, table, etc. Or in a ceiling light rail.
Certifications	FCC, EMC
Grille material	Aluminium
Mounting system	Lighting rail mount compatible
Pan and tilt wall-mount	Swivel (pan and tilt)
Rail fixing system	4 wire 3 circuit track system
Compatible rail systems	Global Track Pro or compatibles
Operating temperature	Min: -10°C ; 14°F / Max: 40°C ; 104°F
Operating humidity	<85% HR
Storage temperature	Min: -10°C ; 14°F / Max: 40°C ; 104°F
Storage humidity	<90% HR
Included accessories	Lighting rail mount, Surface / wall mount
Finished colour	White (RAL 9003) or black (RAL 9005)
Dimensions (WxHxD))	173 x 180 x 181 mm / 6.81 x 7.09 x 7.13 in
Support arm	Swivel (pan and tilt)
Weight	2.1 kg / 4.6 lb
Pieces per box	1 unit
Shipping dimensions (WxHxD)	320 x 260 x 220 mm / 12.6 x 10.24 x 8.66 in
Shipping weight	3.2 kg / 7.05 lb

16.4. GLOBE

WiS (RF WIRELESS DIGITAL AUDIO)	
Frequency band	U-NII 5.1 – 5.8GHz (supported worldwide) Up to 24 non-overlapping RF channels DFS support"
Coverage range	Up to 12m from a TX to any paired RX, direct line of sight
Audio channels	1 mono audio ch received from the WiS TX network
Audio transmission	24bit uncompressed, 48kHz SR
Digital Audio Sample size	24bit
Digital Audio Sampling rate	48kHz
Digital Audio Frequency Response	20Hz – 20kHz (-0.1dB)
Digital Audio converters	DAC Resolution: 24 bit DAC Dynamic range: 100dB
Latency	From TX IN to RX AUX OUT <6ms From TX IN to RX Speaker <6ms Jitter among receivers ±1us
Pairing time	Up to 120s
Reconnection time	Up to 120s
System	
Effective frequency range ¹	70 Hz – 20 kHz (-10dB)
Coverage angle ²	111° (conical)
Sensitivity ³	91 dB (1W/1m)
Maximum SPL ⁴	106 dB Continuous / 112 dB Peak
Transducers	
Ways	2-ways full range
Driver	5" woofer + 1" tweeter
Low frequency driver	5" woofer
High frequency driver	1" Silk Dome Tweeter
Crossover filter	4.2KHz
Nominal impedance	8Ω
Powered	
Power	32W RMS / 128W peak
THD + Noise	<0,15%
Signal Noise Ratio	>95dB
Electrical	
Power supply	Internal. Universal, regulated switch mode with PFC (Power Factor Correction)
AC mains requirement	100-240 VAC @ 50-60Hz
AC mains connector	Ceiling rail connection for GLOBE RM Series 3C Euroblock connector for GLOBE PD Series
Power consumption	TBC

 Physical

Connection type	Ceiling rail AC connection for GLOBE RM Series Euroblock 3C connector for VAC in GLOBE PD Series
Installation options	Rail Mount / Pendant options
Environmental	IP10
Certifications	FCC, EMC
Enclosure material	ABS reinforced with fibreglass
Mounting system	Ceiling rail connection for GLOBE RM Series Steel wire hanging 5 mts for GLOBE PD Series
Rail fixing system	4 wire 3 circuit track system for GLOBE RM
Compatible rail systems	Global Track Pro or compatibles for GLOBE RM
Operating temperature	Min: 0°C ; 32°F / Max: 35°C ; 95°F
Operating humidity	<85% HR
Storage temperature	Min: -10°C ; 14°F / Max: 50°C ; 122°F"
Storage humidity	<90% HR
External diameter	287 mm / 11.3"
Included accessories	For GLOBE PD Series: - 2 x Steel Wire for hanging 5 mts, - 2x plastic cable tie, - 1 x eurobloc 3C connector
Finished colour	White (RAL 9003) or black (RAL 9005)
Dimensions	Ø287mm x 331mm(H) / Ø11.3 in. x 13 in. (H)
Weight	2.2 Kg / 4.85 lbs
Pieces per box	1
Shipping dimensions (WxHxD)	360 x 480 x 360 mm / 14.2 x 18.9 x 14.2 in.
Shipping weight	3.7 Kg / 8.15 lb

¹10dB below the sound pressure level at specified sensitivity

²6dB below the sound pressure level than that at the direction of maximum level, Max. angle between 1 kHz and 4 kHz.

³Measured on-axis, far field and referenced to 1 meter by inverse square law. Average from 100 Hz to 10 kHz.

⁴Calculated from sensitivity and power handling specifications, exclusive of power compression

WiSpeak features a unique & intelligent digital wireless transmission system: a solid and stable main channel is always used for the system's audio and control links, together with an alternative backup channel available. The system continuously monitors among 24 transmission channels to resolve the best backup channel option. In case the main channel's integrity is affected by third-party RF interferences, an instantaneous and clean (free of audio drops) switch to the backup one is performed.

Exceptionally, when working in environments with very high radio-electric contamination (presence of frequency inhibitors, WiFi networks saturation, etc.) WiSpeak might at times suffer disturbances in its proper functioning, like intermittent audio drops. In such circumstances, and along the system's installation and setup period, it might even be necessary to decrease the distance from the transmitter to each receiver to reach a solid and stable system performance along time.

Reconnection and pairing time also involve stabilization process to guarantee a solid and stable wireless communication. This time varies depending on adverse conditions described.

WiSpeak grip

Software

WiSpeak control application



USER MANUAL

17. WiSpeak grip INTRODUCTION

WiSpeak grip is an Android/iOS app for the setup and control of a WiSpeak Wireless Audio System. It is compatible with Android 5.0 or higher / iOS11 or higher.

A WiSpeak system is made up of one transmitter device (CORE model) and from 1 up to a maximum of 24 receiver units (TUBE or CUBE models), where:

- the transmitter device is the electronic unit that communicates with all the receiver devices to create a WiSpeak wireless network, and takes the role of the **Master unit** in it
- the receiver units are self-powered loudspeakers with wireless audio reception and control capabilities, under the control of the Master unit

The Master unit has these main functions:

- to pair (link) and keep a stable communication with all the receiver units in the system – when paired and within the valid wireless range - supervising the connection quality of them all
- to take care of the global configuration of the system (audio inputs in use, equalisation, levels, etc.)
- to send the individual configuration commands to each receiver unit, as each receiver can have customised parameters
- to send audio contents to all the receiver units, keeping a perfect synchronisation among them

For a basic WiSpeak system setup and end user management (“plug & play”), which means pairing the receiver units with the Master, sending audio to them and adjusting the Master (general) audio volume, it is not mandatory to use WiSpeak grip, as it can be easily and quickly done by means of the transmitter (Master) unit front panel controls. However, WiSpeak grip provides the installer of the system with many fine-tune options that can lead to a system’s more precise performance, better yet customised to each venue and end user profile requirements.

The app can be downloaded from the Internet stores:



18. Bluetooth CONNECTION TO THE MASTER UNIT

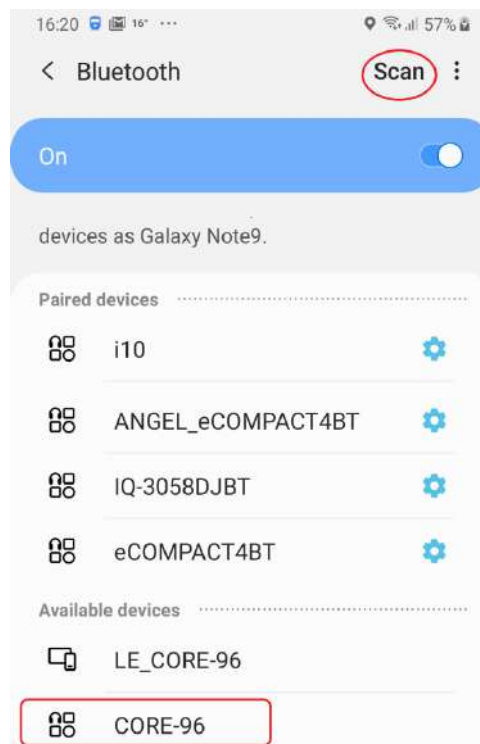
The control communication between WiSpeak grip and a CORE Master device is carried out using Bluetooth connectivity. Before being able to get online with the unit from the app, a Bluetooth pairing must be done, as it happens with any Bluetooth device.

The pairing process depends on each operating system (Android or iOS) and version.

Note: iOS devices can skip the bellow process, required just for Android ones. iOS devices connection via Bluetooth to a CORE transmitter unit is directly managed from the WiSpeak grip application. See chapter 3 for further information.

An example with Android version 9 and a Samsung smartphone:

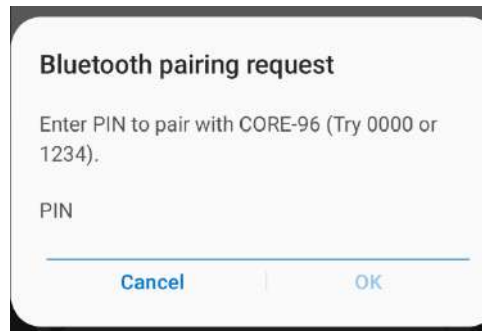
1. Scan for the available Bluetooth devices:



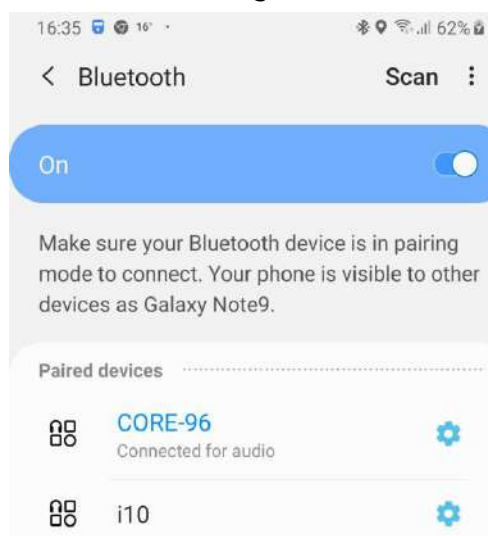
2. The Master device should be discovered and listed as CORE-XX, where XX matches the last 2 digits in each unit's MAC address. This is the default device Alias, or ID of the Master devices, and can be later modified using the app

Note: for Android users **never select the LE_CORE-XX** device that could appear in the list, but the one without the **LE_** prefix

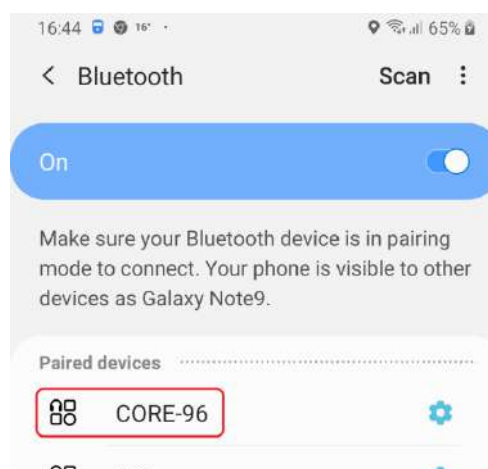
3. Click to pair and enter 1234 as the PIN code (default PIN code, that can be later modified using the app):



4. Once connected it should show a message similar to “**Connected for audio**”:



Note: The next times we try to pair to the Master device, it should already appear under the **Paired devices** list:



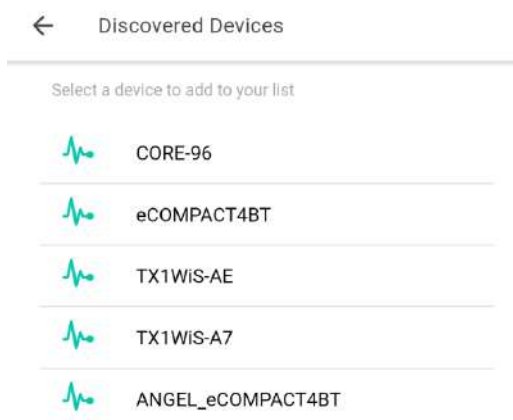
Now we're ready to open the WiSpeak grip app and continue the connection process.

19. WiSpeak grip MAIN SCREEN – CONNECTING TO A MASTER

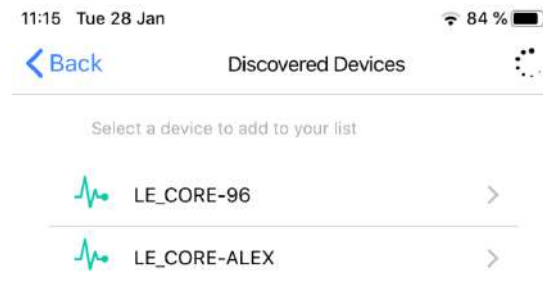
Once the app is opened, the main screen will appear.



Clicking on the **DISCOVER MASTER DEVICES** button will start the scan process for the available Master devices (CORE transmitter units), that will finally show all the Ecler Bluetooth devices already paired to the smart device in the past:

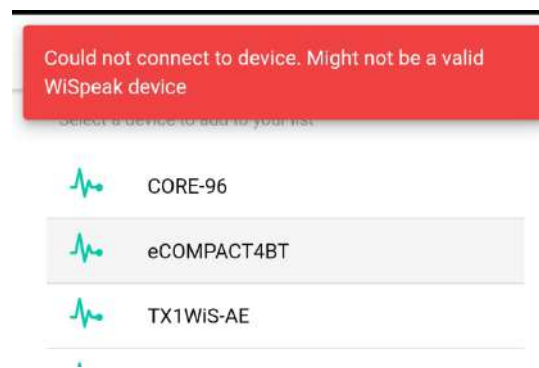


Example for Android OS



Example for iOS

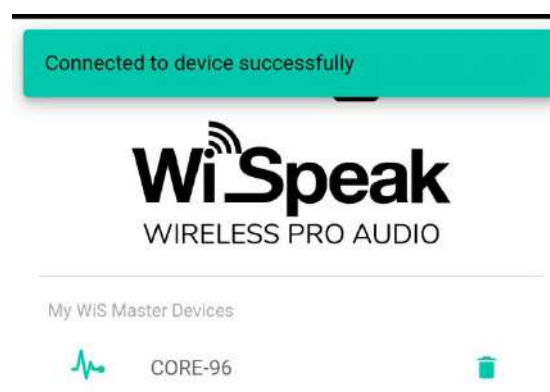
Clicking on a device that is not a WiSpeak CORE transmitter will result in a screen like this one:



Valid WiSpeak CORE transmitters are shown with the following names (IDs) in the Discovered Devices list:

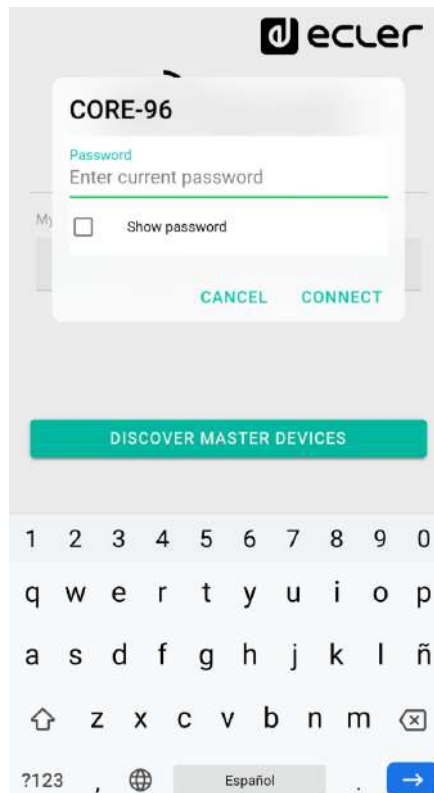
- **Android OS:** **CORE-XX**, where XX matches the last 2 digits in each unit's MAC address. This is the default device Alias, or ID of the Master devices, and can be later modified using the app
- **iOS:** **LE_CORE-XX**, where XX matches the last 2 digits in each unit's MAC address. This is the default device Alias, or ID of the Master devices, and can be later modified using the app

Clicking on a WiSpeak transmitter device (in our example CORE-96, Android OS) will lead to the following screen:



The app has now included this CORE Master device in **My WiS Master Devices** list, and it will be remembered in it, with no need to use the **DISCOVER MASTER DEVICES** function in the future to be able to connect to Master devices already used in the past.

Clicking on a Master device in the list - in our example CORE-96 – will show a window to enter the Device’s Password:



This is the point where the password will define the user’s profile for the app:

- Profile **Administrator**. Default password = **admin**. The Administrator, which is the technical person that performs the system’s set up and fine tuning, has permission to monitor and modify all the available parameters in the Master Device:
 - Operating region (USA, Europe, etc.)
 - Master Device Alias (name), Bluetooth ID and PIN, Admin and User passwords
 - Audio inputs: gain, source selection, etc.
 - Audio transmitted to the receivers’ network: levels, equalisation, etc.
 - Set up and troubleshooting tools: test signals, MUTE & SOLO functions, wireless connection quality, connection ping count, etc.

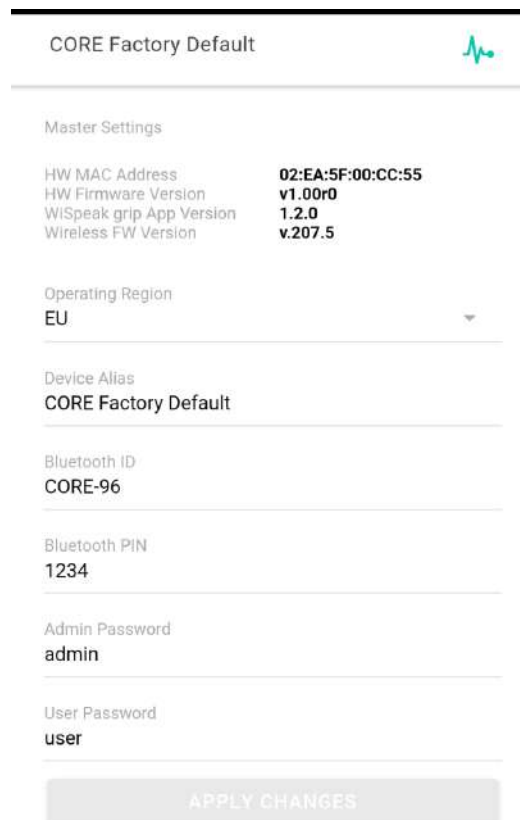
- Profile **User**. Default password = **user**. It is the end user profile, the person that can do a daily use of the WiSpeak system, in terms of volume control and audio source selection, nothing else

Note: both Admin and User passwords can be modified using WiSpeak grip app.

Entering **admin** as the password will show the Master unit (CORE) summary information page:



Clicking on the left icon at the bottom bar () will show the Master Settings page:



Once logged as Admin, we're ready to get to the next step: pairing the receivers and getting the WiSpeak system working.

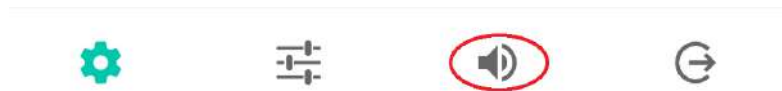
Note: once logged in the WiSpeak grip app, a logout can be carried out by pressing the icon at the right-hand side of the bottom icon bar:



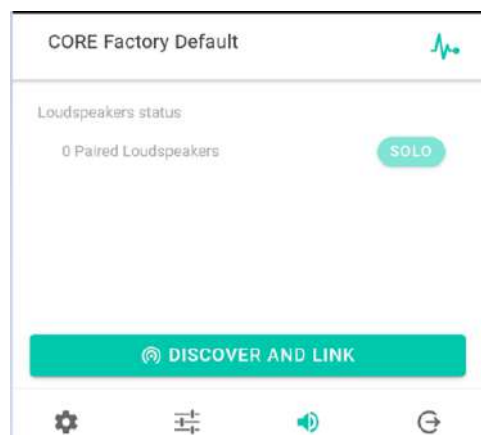
20. PAIRING THE RECEIVERS & STARTING UP THE WiSpeak SYSTEM

The last step to get the system running is pairing the network of loudspeaker receivers, TUBE and/or CUBE models, to the Master device.

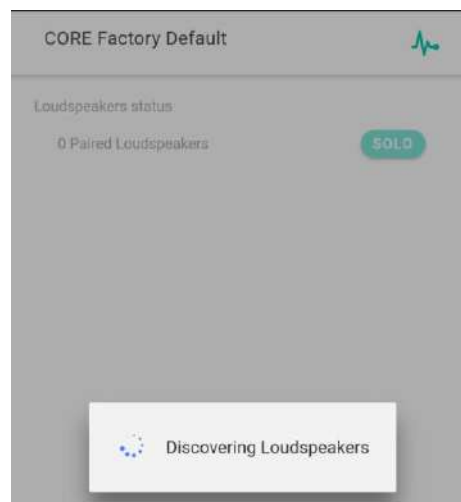
Click on the third icon in the bottom bar to enter to the Loudspeakers page:



Once there, click on the DISCOVER AND LINK button:



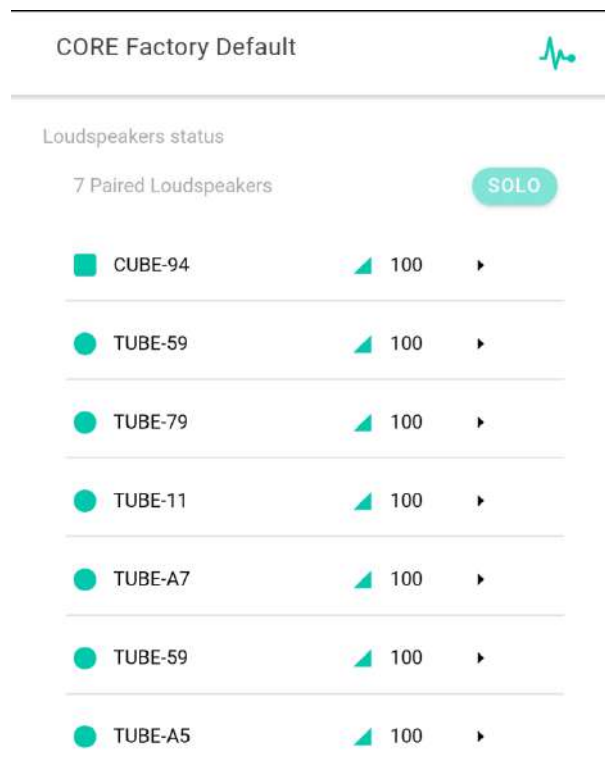
The Master device will then start the scan process to discover and link (pair) the available receivers in its wireless range, taking some seconds to finish:



Note: an **available receiver** must fulfil two conditions:

- it has not been paired to another Master device before
- it is powered, ON and correctly reached from the Master device, with enough wireless connection quality (it is under the valid wireless range and communicating properly)

When the Discover and Link process is over, a list of paired receivers will appear. In our example the Master has successfully paired with 7 receivers:

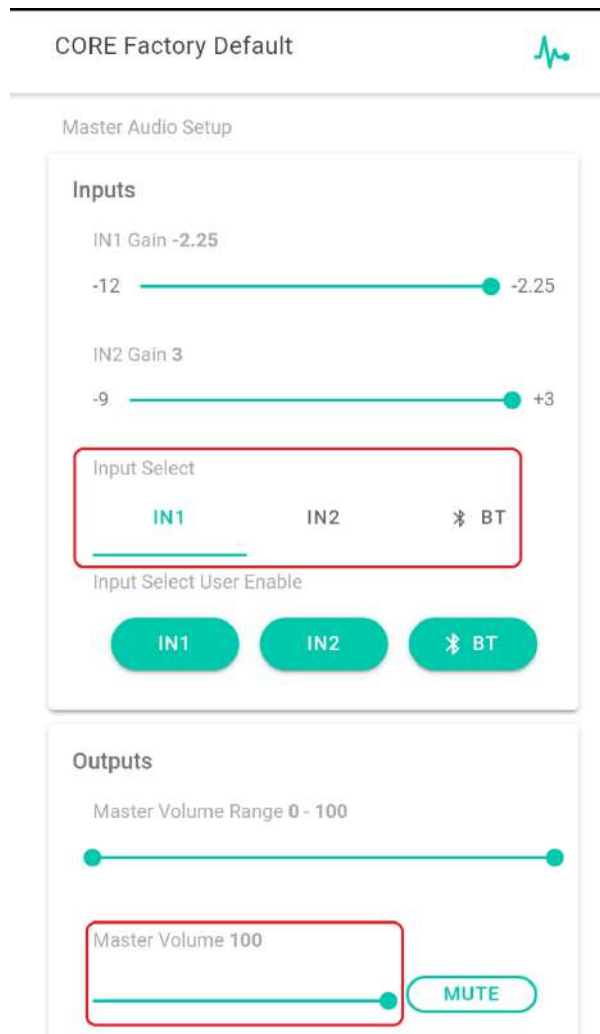


At this point the system is ready to play, through these 7 loudspeakers in our example, any audio source connected to the CORE Master device.

It is possible to select the audio source from the front panel of the Master device (SELECT key) and adjust the general playback volume (VOLUME knob).

But it is as well possible to do both things (and much more) from the Master Audio Setup page in WiSpeak grip app:





The above process provides a solid “plug&play” method to set a system up and running in few minutes.

But WiSpeak grip offers much more tools and flexibility to adjust and fine tune a WiSpeak system, far beyond the plug&play basic setup, matching its performance to each venue and use requirements. See Chapters 5 to 8 for more information.

21. MASTER AUDIO SETUP ADVANCED FEATURES

Before going further, it is important to explain how a WiSpeak system deals with the audio incoming signals (entering the CORE transmitter) and the wireless transmission it does with them (to the TUBE / CUBE receiver loudspeakers).

A WiSpeak CORE transmitter manages the audio signals in the following way:

- It can receive up to 3 audio input signals:
 - INPUT 1: stereo balanced, Euroblock connectors
 - INPUT 2: stereo unbalanced, RCA connectors
 - INPUT 3: stereo, received via Bluetooth
- It can select which one of these 3 inputs will be selected as the **WiSpeak audio signal** to be transmitted to the receiver loudspeakers network
- The selected audio signal is **converted from ST to MONO** and is sent to the receivers network, **always using two WiSpeak wireless channels**: CH1 and CH2
- Each of these two channels, before its wireless transmission, can be processed independently in terms of audio equalisation and filtering
- Each receiver loudspeaker in the network will be configured to receive and play one of these two channels. This allows to get exactly the same audio contents to all the loudspeakers, but with different audio processing, if required

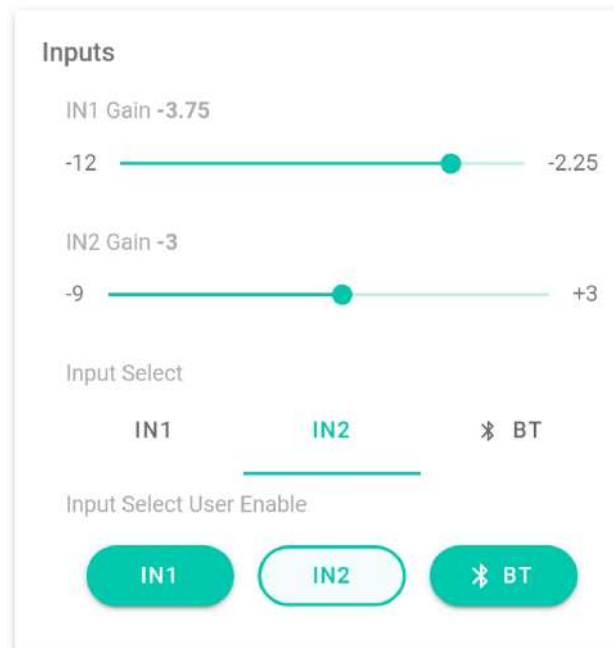
The **Master Audio Setup** page brings access to the configuration of all the above.

It is accessed clicking on the second icon at the bottom of the screen:



The page shows the following sections, in the case a of a CORE transmitter model:

21.1. Inputs



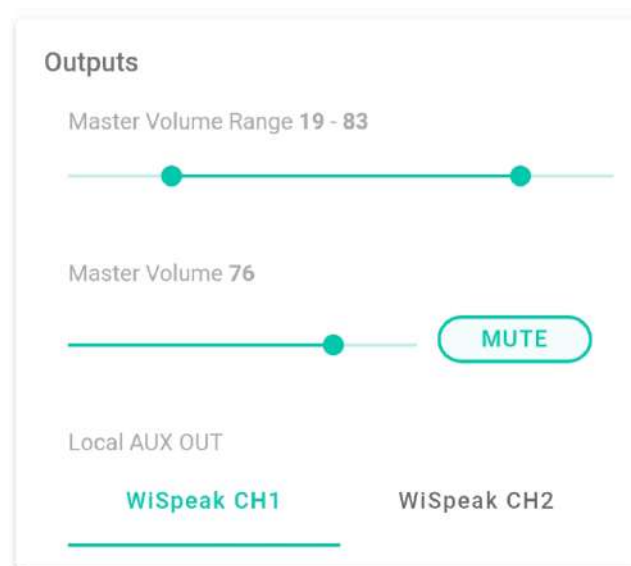
1. **IN1 Gain, IN2 Gain:** sliding control that allows to adjust the preamplifier gain for the two available analogue audio inputs in a CORE Master device, IN1 (stereo, balanced, Euroblock connectors) and IN2 (stereo, unbalanced, RCA connectors)

Note: the third available input is the Bluetooth one, which has no preamplifier, thus no gain adjustment
2. **Input Select:** switch control to select the current audio input to be played back in the WiSpeak system

Note: a blinking Bluetooth icon means that the Master device is not currently paired with any device (smartphone, tablet, BT transmitter) to get Bluetooth audio from it. It stops blinking when a device is paired for audio via Bluetooth with the Master device
3. **Input Select User Enable:** ON/OFF buttons to decide which input select options will be delivered to the end user (with WiSpeak grip app logged in User profile, not Admin profile). These options can be selected from the CORE front panel controls, as well as from WiSpeak grip app when logged as **User**. In the above example, IN1 and Bluetooth inputs are enabled for its selection, but IN2 is disabled.

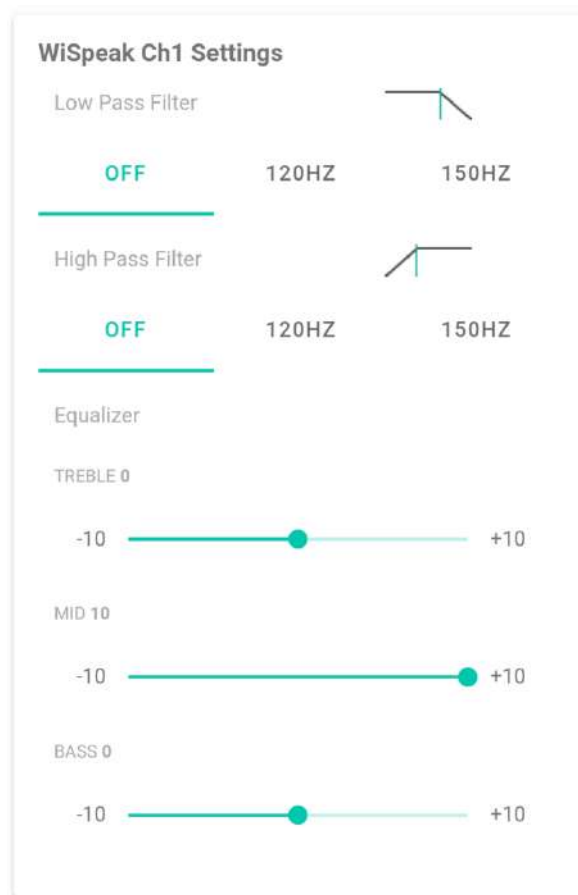
Note: 3, 2 or just 1 of the three inputs can be enabled, in this last case meaning that the input selection is fixed and the end user can't modify it

21.2. Outputs



- **Master Volume Range:** sliding controls that define the effective volume control range (from min. VOL to max. VOL) that the end user will have available. The end user will be able to adjust the general volume of the full installation, within this range, using the front panel volume knob of the CORE transmitter or the WiSpeak grip app, once logged to it with the **User** profile.
- **Master Volume** and **MUTE** controls: Administrator controls affecting the general volume of the installation, and not restricted by the Master Volume Range (that can be useful for testing, troubleshooting, etc., which are not the end user daily conditions).
- **Local AUX OUT:** it defines which WiSpeak audio channel (CH1 or CH2) will be sent to the AUX OUT connector at the back panel of the transmitter device. This connection delivers the contents of the selected channel in analogue format, making it possible to wire-connect the Master device to external audio devices, like subwoofer units, amplifiers, mixers, etc.

21.3. WiSpeak CH1 / CH2 Settings



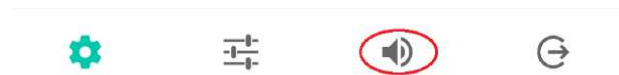
Each WiSpeak channel, CH1 and CH2, has a dedicated and independent section including exactly the same set of processing features and controls. The above picture shows CH1 settings section.

- **Low Pass Filter:** 3 position selector, including no Low Pass Filter (OFF) or a Low Pass Filter with cut frequency at 120 or 150Hz. A Low Pass Filter is especially suitable to feed a subwoofer loudspeaker system. **Note:** the WiSpeak CORE transmitter and the WiSpeak TUBE / CUBE receivers feature an analogue audio output that is a copy of the WiSpeak channel in use, and ready to connect, for instance, to an external subwoofer loudspeaker system
- **High Pass Filter:** 3 position selector, including no High Pass Filter (OFF) or a High Pass Filter with cut frequency at 120 or 150Hz
- **Equalizer:** 3-band (Bass-Mid-Treble) equalizer

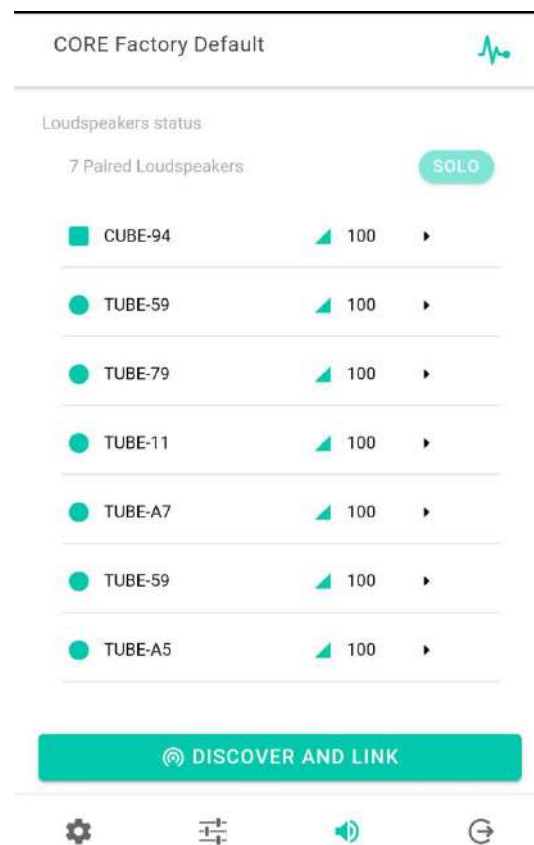
22. LOUDSPEAKERS PAGE ADVANCED FEATURES

This is the application's page that allows doing an individual and advanced adjustment of each TUBE / CUBE receiver loudspeaker in the WiSpeak network, as well as supervision and troubleshooting.

The page is accessed clicking on the third icon in the bottom bar:



The main screen will be similar to this example, in this case showing a list of 7 receiver loudspeakers already paired (Paired Loudspeakers), with one line of summarised information for each one:



The shape (round or square) of the icon at the left hand side of each receiver indicates its model type:

- : CUBE type
- : TUBE type

The colour of these icons does provide information about each loudspeaker's connection status and quality:

- When an icon is shown in grey colour, it indicates the receiver was paired in the past to this transmitter, but is currently offline, meaning the transmitter can't communicate with it (no control nor audio links are available):



- An icon shown in green colour means the loudspeaker is online and holds a proper connection with the CORE transmitter it is paired to:



- An icon in orange colour means that, even the loudspeaker is online with a CORE transmitter, the connection is not totally stable. This doesn't necessarily mean that problems like audio drops will happen, but suggests that some troubleshooting should be performed, checking some items that could be leading to this connection status: distance from the transmitter to the receiver, physical obstacles in their line of sight, other RF sources inducing interferences, etc.:



- An icon in red colour means that, even the loudspeaker is online with a CORE transmitter, the connection is unstable, with higher probability to get audio drops, and troubleshooting might be performed to try to correct it. Like in the previous case, please check those items that could be leading to this connection status: distance from the transmitter to the receiver, physical obstacles in their line of sight, other RF sources causing interferences, etc.:



The next information shown in each line is the receiver unit Alias, or customisable name. By default, each receiver unit has an Alias which starts with its model name, followed by -XX where XX matches the last 2 digits of its MAC address:



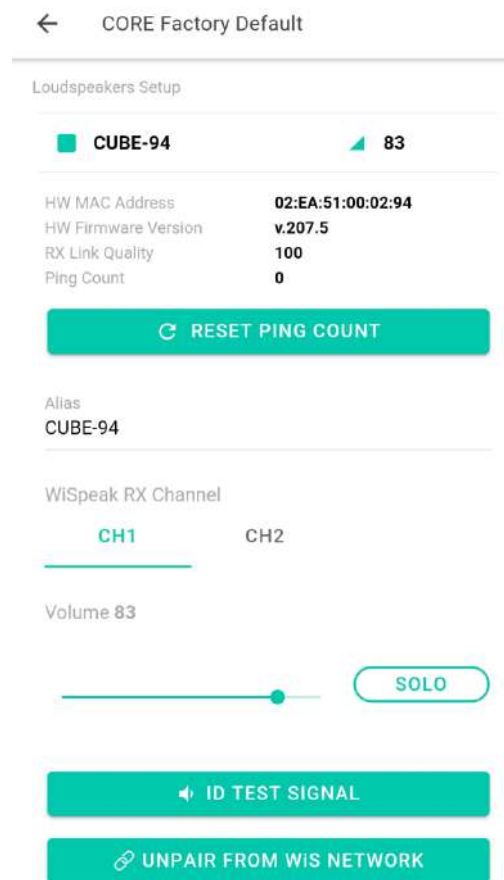
In the above example we can see the unit is a **TUBE** model, with a MAC address that finishes at **59**.

To the right of the Alias there is an indication of the individual loudspeaker volume for each unit, from 0 to 100, as each unit can be adjusted with a different playback volume:



At the bottom of this page the DISCOVER AND LINK button is shown. As explained in chapter 4, it can be used to make the initial pairing of the full batch of receivers in an installation. But it can also be used after it, in a future action that will scan for more available receivers and, if any, will add them to the already paired loudspeakers list, up to a maximum of 24 units. Very useful at a running installation, when adding more receivers is necessary, or when replacing units is required.

Clicking on any of the listed receivers will drive to its personal configuration page:



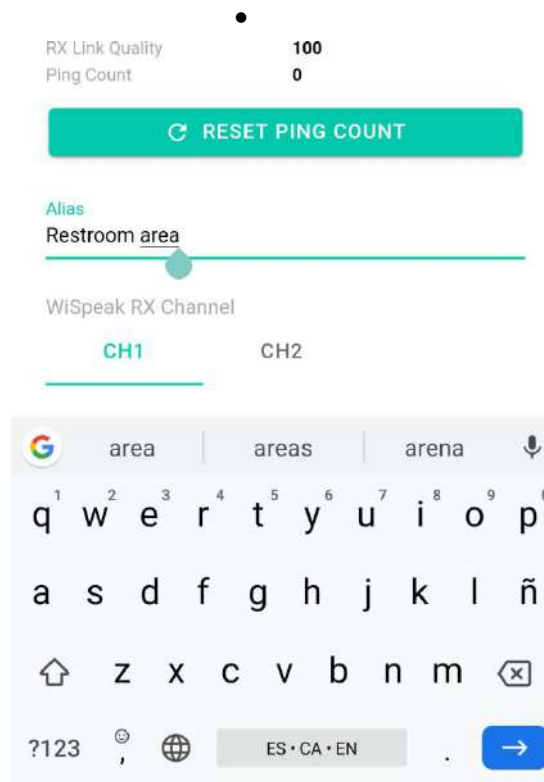
Information available on the top section:

- **Hardware MAC Address:** the full MAC Address of the WiSpeak wireless interface in the unit
- **Hardware Firmware Version:** current version of the firmware running in the receiver unit
- **RX (Receiver) Link Quality:** an indication about how solid is the wireless link between the transmitter and the receiver unit, from 0 (worst) to 100 (optimum)
- **Ping Count:** incremental counter that logs the times the unit has suffered from a significant connection loss. Clicking on the button **RESET PING COUNT** opens a window that allows performing a reset of this counter to zero, just for the concerned receiver, or for the full set of receivers paired with the CORE Master unit.

Note: a connection loss can happen for many reasons, and in most of cases it doesn't mean the unit is faulty. Examples: the unit is powered off (the longer the time it's OFF, the higher the ping count will get), or it is outside the CORE transmitter's wireless coverage range, or it is affected by a hostile RF spectrum environment, etc.

Controls and parameters available:

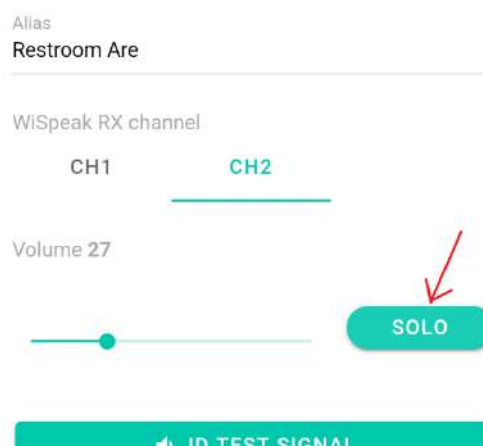
- **Alias** field: shows the Alias (name or label) for each unit, by default matching its model name, followed by -XX where XX matches the last 2 digits of its MAC address. Clicking on it allows to edit it using the OS keyboard:



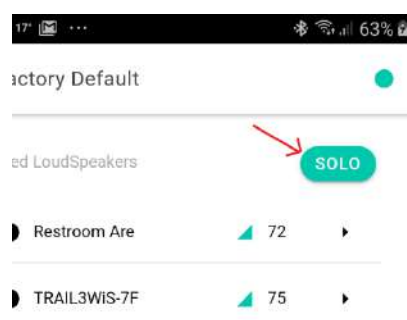
- **WiSpeak RX channel:** a selector to decide which of the two available WiSpeak channels will be played back by the receiver unit. **Reminder:** the selected audio source in the transmitter unit is **converted from ST to MONO** and is sent to the receivers' network, **always using two WiSpeak wireless channels:** CH1 and CH2. Each receiver can select CH1 or CH2 and play it back
 Example: some receivers can be playing CH1 (full band audio) and some others CH2 (Low-pass filtered) as they might be connected to subwoofer units by means of their AUX OUT terminal
- **Volume:** individual playback level for each receiver unit, 0 to 100 values. This control allows deciding which sound spots or areas in the installation will have higher / lower sound volume than others. The Master or General volume control gestured by the WisPeak grip end user (or the Admin user while logged), or by means of the CORE's front panel knob or the wall panel connected to CORE's REMOTE port, will affect the full set of receivers in a proportional way, respecting the individual volume set up in this page for each receiver.

Example:

- TUBE receiver A individual volume set to 100
 - TUBE receiver B individual volume set to 80
 - CORE Master volume at 100 (maximum value):
 - Receiver A real playback volume = 100
 - Receiver B real playback volume = 80
 - CORE Master volume at 50 (half of the maximum value):
 - Receiver A real playback volume = 50
 - Receiver B real playback volume = 40
- **Solo:** ON/OFF control that MUTES the rest of receivers, except for the ones with the SOLO function in ON mode (ON=button's green background + white SOLO characters)



Note: when one or more receivers do have the SOLO function active, the Loudspeakers page will show its general SOLO button (top side of the screen) as well in active mode, like this:



Clicking on this general SOLO button will set all the active SOLO functions, in all paired receivers, to OFF.

- **ID TEST SIGNAL** button: clicking on it will start playing a test tone sequence in the receiver unit. The sequence is stopped after 10 seconds, or pressing again the same button. It is really useful to get an acoustic identification of a receiver loudspeaker in an installation, for troubleshooting and/or adjusting purposes. The unit is available to active the ID test signal when the button is shown like this:

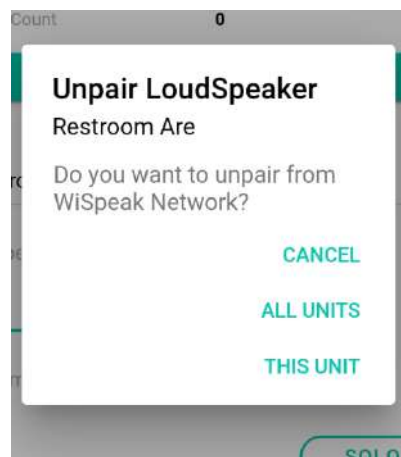


...and once activated, it shows this status, allowing clicking on it again to cancel the current test tone signal:



- **UNPAIR FROM WiS NETWORK** button: it allows to unpair one or all the receivers currently linked to the transmitter. Successfully unpairing one receiver will result in two actions:
 - The unit will disappear from the Loudspeakers page **Paired Loudspeakers list**
 - The unit will be available to be paired again to a transmitter unit

Clicking on this button opens the following window:



And it allows to cancel the process, or to unpair the receiver unit currently under control, or to unpair the whole set of receiver units included in the Paired Loudspeakers list.

After a successful unpair process, the receiver unit gets back to its factory defaults, including the default Alias and rest of parameters (volume, reception channel, SOLO status, Ping Count).

23. MASTER SETTINGS PAGE

The Master Settings page is accessed by clicking on the first icon at the bottom bar in the WiSpeak grip application:



The information shown is the following:

CORE Factory Default 📶

Master Settings

HW MAC Address	02:EA:5F:00:CC:55
HW Firmware Version	v1.00r0
WiSpeak grip App Version	1.2.0
Wireless FW Version	v.207.5
Wireless FW Version	v.207.5
Operating Region	EU ▼

Device Alias
CORE Factory Default

Bluetooth ID
CORE-96

Bluetooth PIN
1234

Admin Password
admin

User Password
user

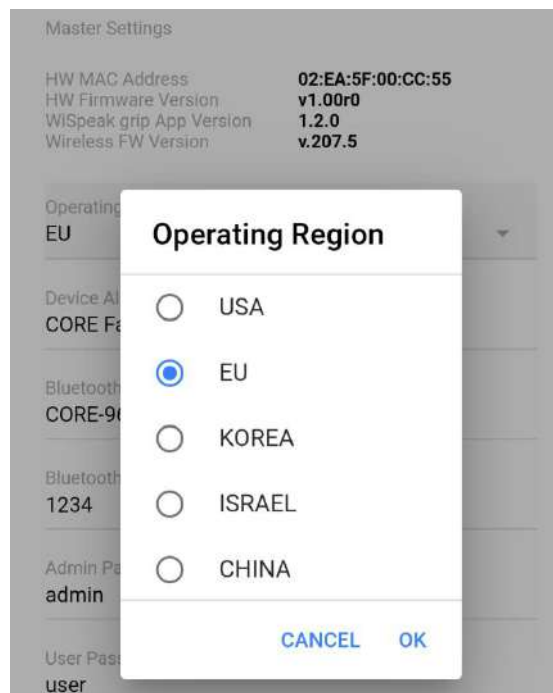
APPLY CHANGES

Information at the top section of the screen:

- **Hardware MAC Address:** the full MAC Address of the WiSpeak wireless interface in the CORE transmitter (or Master) unit
- **Hardware Firmware Version:** current version of the firmware running in the transmitter unit
- **WiSpeak grip App Version:** current version of the **WiSpeak grip application** in use
- **Wireless Firmware Version:** current version of the firmware running in the WiSpeak wireless interface in the CORE transmitter (or Master) unit

Parameters that can be modified:

- **Operating Region:** clicking on it, it is possible to select the operating zone where the system is running.



After selecting an option and clicking OK, it's still necessary to click on the **APPLY CHANGES** button at the bottom of the screen to make them really effective:

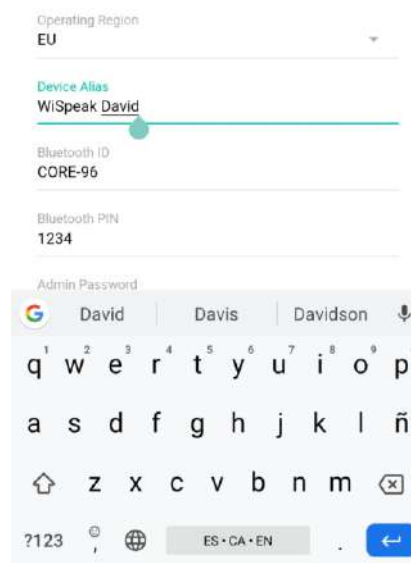


And, after an Operating Region change, sometimes the CORE unit will get disconnected from the WiSpeak grip app, being necessary to connect to it again from the My WiS Master Devices list.

Due to RF regulations and legal responsibilities in different areas in the world, the system must be properly configured to fulfil with them. Among the available options, please make sure you select the one, if any, that matches your local regulations.

Warning: NEEC Audio BCN / Ecler is not responsible for any regulations' unfulfilment due to a wrong Operating Region setup

- **Device Alias:** allows to modify the transmitter's Alias or personal identification name that will be shown for this unit in the WiSpeak grip app. Clicking on it, the OS keyboard is shown to allow making changes:



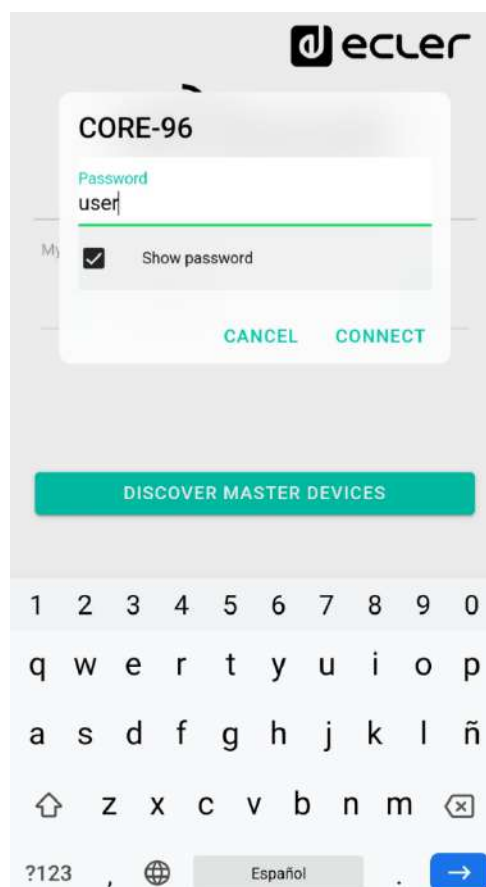
- After editing the Alias, it's still necessary to click on the **APPLY CHANGES** button at the bottom of the screen to make them really effective.
 - **Bluetooth ID:** allows to modify the transmitter's Bluetooth ID, or name that will be used for identification when pairing to other devices via Bluetooth. Clicking on it, the OS keyboard is shown to allow making changes. After them, make sure you click on the **APPLY CHANGES** button at the bottom of the screen to make them really effective
 - **Bluetooth PIN:** allows to modify the transmitter's Bluetooth PIN code, the 4-digit security code to enable the pairing sequence to other devices via Bluetooth (by default = 1234). Clicking on it, the OS keyboard is shown to allow making changes. After them, make sure you click on the **APPLY CHANGES** button at the bottom of the screen to make them really effective
- Note:** any changes applied to the Bluetooth ID and/or PIN will restart the Bluetooth module, meaning this that a short audio interruption would happen, as well as an automatic user's log out from WiSpeak grip app
- **Admin Password:** password required to access WiSpeak grip app with Admin profile, that includes all the high-level privileges to configure a WiSpeak system: transmitter, receivers, audio parameters, Alias, passwords, etc.) Clicking on it, the OS keyboard is shown to allow making changes. After them, make sure you click on the **APPLY CHANGES** button at the bottom of the screen to make them really effective.

- **User Password:** password required to access WiSpeak grip app with User (end user) profile, which just includes the daily use privileges to control a WiSpeak system: general (Master) volume and source selection, with the limits defined by the Admin configuration.

Clicking on it, the OS keyboard is shown to allow making changes. After them, make sure you click on the **APPLY CHANGES** button at the bottom of the screen to make them really effective

24. USER CONTROL PAGE

Connecting to a transmitter device and logging into the WiSpeak grip app as **user** (= end user profile) will deliver a very simple and limited version of the application, intended for the end user daily control of the WiSpeak system:



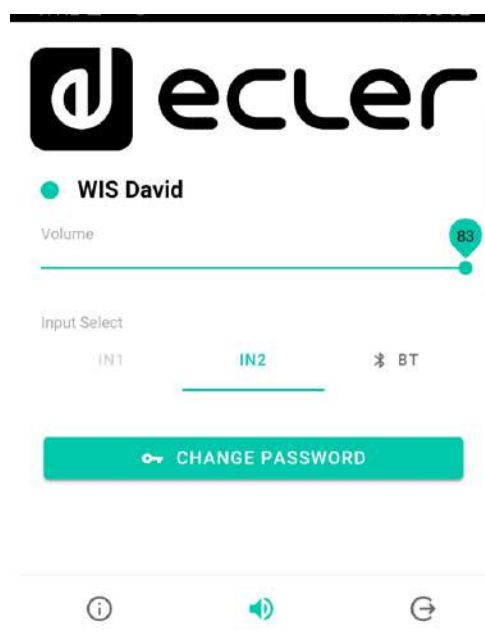
After logging as user, the information page will appear:



It includes the following information:

- **Master:** current CORE Master device (transmitter) Alias
- **Selected Input Master:** current audio input selected in the CORE transmitter as the program audio for the WiSpeak loudspeakers network playback
- **Local AUX OUT:** WiSpeak audio channel (CH1 or CH2) currently routed to the AUX OUT local output of the CORE transmitter, ready to be connected to external audio devices, like reinforcement subwoofers, mixers, amplifiers, etc.

The control page is available clicking on the middle icon at the bottom bar:



It shows:

- **Volume:** sliding control to adjust the general (Master) volume of the installation, within the minimum and maximum limits defined by the Admin in the configuration process.

Note: in the above example, the slider is at its maximum position, which belongs in this case to a general volume of 83, as the Admin defined this value as the maximum available for the end user control

- **Input Select:** selector for the audio input in the transmitter chosen as the program audio for the WiSpeak loudspeakers network playback:

Note: a blinking Bluetooth icon means that the Master device is not currently paired with any device (smartphone, tablet, BT transmitter) to get Bluetooth audio from it. It stops blinking when a device is paired for audio via Bluetooth with the Master device

25. WiSpeak FAQs (JAN 2020)

Q: How many simultaneous Bluetooth control connections can exist, between a device running WiSpeak grip app and a CORE Master unit (transmitter)?

A: Just one

....

Q: After connecting to a WiSpeak transmitter and having all the loudspeakers paired, I have no Bluetooth audio playing through the loudspeakers

A: To make this happen, you must confirm:

1. A device (*) that can stream audio via Bluetooth is paired for audio transmission with the CORE-XX transmitter that performs as the Master unit in the installation. This device can be the same one that is connected to the CORE unit for control (using WiSpeak grip app), or a totally different one
2. The Bluetooth audio input is selected in the CORE device

....



All product characteristics are subject to variation due to production tolerances. **NEEC AUDIO BARCELONA S.L.** reserves the right to make changes or improvements in the design or manufacturing that may affect these product specifications.

For technical queries contact your supplier, distributor or complete the contact form on our website, in [Support / Technical requests](#).

Motors, 166-168 08038 Barcelona - Spain - (+34) 932238403 | information@ecler.com | www.ecler.com