

INSTALLATION INSTRUCTIONS

CLZW600SSBS SNAPBAG®

(SOFTBOX FOR THE CAMEO ZENIT W600 SPOTLIGHT)



INTRODUCTION

The softbox, for even and soft lighting, is quick and easy to mount on the spotlight.

INCLUDED

SNAPBAG® softbox, transport bag, magic cloth diffusor, half diffusor, installation instructions

APPROPRIATE USE

The product is an accessory for event technology, as well as studio, TV and broadcast! This product has been developed for professional use in the field of event technology, studio, TV and broadcast. It is not suitable for use in households! Furthermore, this product is only intended for qualified users with specialist knowledge of event technology, as well as studio, TV and broadcast! Use of the product outside the specified technical data and operating conditions is considered inappropriate! Liability for damage and third-party damage to persons and property due to inappropriate use is excluded!



SAFETY INSTRUCTIONS

1. Please read this manual carefully.
2. Keep all information and instructions in a safe place.
3. Follow the instructions.
4. Use the softbox in the prescribed manner only.
5. The softbox may only be used with the Cameo Zenit W600 LED spotlight.
6. Do not leave the product unattended while in use.
7. Intense heat, moisture, acidic and chemically aggressive substances can damage the product and lead to unsafe operation.
8. Due to its design, the softbox offers a large wind surface and is therefore not safe in windy conditions. Only use the product when there is no wind. If the wind starts to pick up, take the product out of operation and store it in a wind-protected place.

9. The combination of the softbox with a spotlight changes the system's centre of gravity. This may create a risk of tipping. Do not place the spotlight unsecured on a table edge or similar, or else be sure to use a suitable stand.

CHOKING HAZARD! KEEP OUT OF THE REACH OF CHILDREN! THE PRODUCT CONTAINS SMALL PARTS THAT CAN BE SWALLOWED AS WELL AS PACKAGING MATERIAL THAT CAN BE SWALLOWED! PLASTIC BAGS MUST BE KEPT OUT OF THE REACH OF CHILDREN!

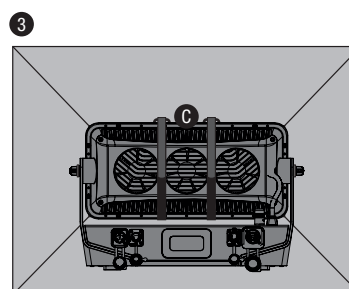
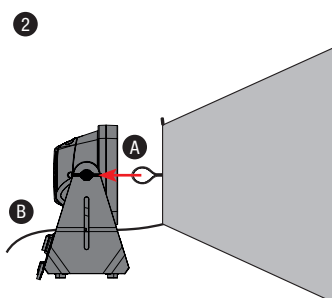
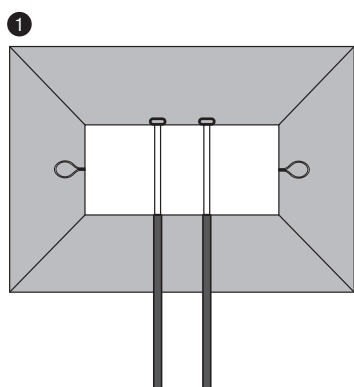
MAINTENANCE AND CARE

1. Only clean the softbox by hand using lukewarm water and mild soap. The softbox should not be machine washed. To dry, please unfold completely and allow to air dry.
2. Please always ensure that you only pack and store the softbox when it is completely dry. Permanent moisture can damage the laminated structure.
3. After use, transport and store the softbox in the transport bag.

INSTALLATION

1. Remove the softbox from the transport bag and unfold it.
2. Place the softbox with the back and the two hook-and-loop straps facing down in front of the light head of the spotlight (see illustration) and stretch the two loops attached to the left and right of the rear part of the softbox over the wing screws for the tilt adjustment of the light head (A). Insert the two hook-and-loop straps through the opening between the light head and the device base (B).
3. Now pull the two hook-and-loop straps through the corresponding eyelets on the upper edge of the rear part of the softbox, tension the hook-and-loop straps slightly and then join the hook side and the loop side of the corresponding straps together.
4. Now attach one of the included diffusor cloths (half diffusor or magic cloth diffusor) to the front inner frame of the softbox using the sewn-on hook-and-loop material.

Tip: For optimum balance and even light distribution, use the 100° diffusor CLZW600SMLSD100 with the spotlight in addition to the softbox.



INSTALLATION INSTRUCTIONS

CLZW600SSBS SNAPBAG®

(SOFTBOX FOR THE CAMEO ZENIT W600 SPOTLIGHT)



TECHNICAL DATA

PRODUCT NUMBER:	CLZW600SSBS
Product type:	Spotlight accessory
Type:	Softbox for Cameo Zenit W600
Material:	Coated polyester
Colour:	Black
Dimensions (W x H x D):	770 x 600 x 410 mm
Dimensions in bag (W x H x D):	650 x 700 x 50 mm
Weight:	1.2 kg (incl. bag)
Accessories included:	Half diffusor, magic cloth diffusor, transport bag

DISPOSAL



Packaging:

1. Packaging can be fed into the reusable material cycle using the usual disposal methods.
2. Please separate the packaging in accordance with the disposal laws and recycling regulations in your country.

Product:

Dispose of the product in accordance with the applicable disposal regulations in your country.

MANUFACTURER'S DECLARATIONS

MANUFACTURER'S WARRANTY & LIMITATION OF LIABILITY

Adam Hall GmbH, Adam-Hall-Str. 1, D-61267 Neu Anspach / E-mail Info@adamhall.com / +49 (0)6081 / 9419-0.

For details of our current warranty conditions and limitation of liability, see: https://cdn-shop.adamhall.com/media/pdf/Manufacturers-Declarations-CAMEO_DE_EN_ES_FR.pdf
If you require service, please contact your distribution partner.

CE CONFORMITY

Adam Hall GmbH hereby declares that this product complies with the following directives (where applicable):

R&TTE (1999/5/EC) or RED (2014/53/EU) as of June 2017

Low Voltage Directive (2014/35/EU)

EMC Directive (2014/30/EU)

RoHS (2011/65/EU) The declaration of conformity can be found at www.adamhall.com.

You can also request it via info@adamhall.com

Subject to misprints and errors, as well as technical or other modifications!

