

# INSTALLATION INSTRUCTIONS

## CLZW600IFULLGS, CLZW600IHALFGS

### CLZW600ISMLS20/40/100/6010

(GLARE PROTECTION, DIFFUSERS)



#### ACCESSORIES FUNCTION

These products are accessories for the Cameo ZENIT W600i spotlight (installation version). The glare shield components are used to optically shield the lenses against glare. The diffusers change the beam angle according to their designation. Combined installation of a glare shield and a diffuser is possible. These products are only suitable for use with the intended spotlight. Improper installation can lead to functional limitations and damage.

#### USING THE MANUAL

This manual describes the accessories and their correct installation. Read the instructions carefully before starting the installation!



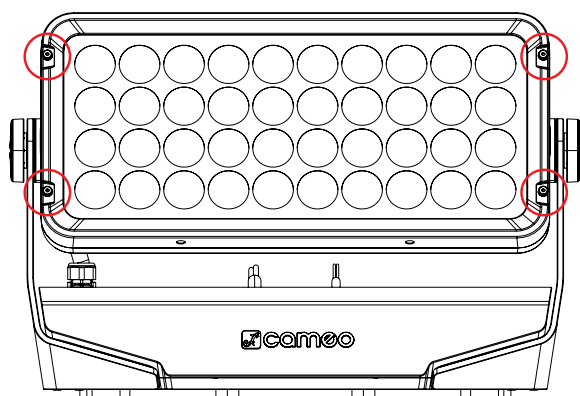
#### SAFETY INSTRUCTIONS

1. Please read these instructions carefully.
2. Keep all information and instructions in a safe place.
3. Follow the instructions.
4. Use the accessories in the prescribed manner only.

**CHOKING HAZARD! KEEP OUT OF THE REACH OF CHILDREN! THE PRODUCT CONTAINS SMALL PARTS THAT CAN BE SWALLOWED AS WELL AS PACKAGING MATERIAL THAT CAN BE SWALLOWED! PLASTIC BAGS MUST BE KEPT OUT OF THE REACH OF CHILDREN!**

#### INSTALLATION

To mount accessories such as the diffuser and glare shield, loosen the 4 socket screws on the light head of the spotlight (see markings) using a suitable tool. Place the desired glare shield and, if required, a diffuser in the frame of the glare shield, then screw both to the spotlight using the previously loosened screws. The protection against foreign bodies and water, in accordance with protection class IP67, remains unchanged.

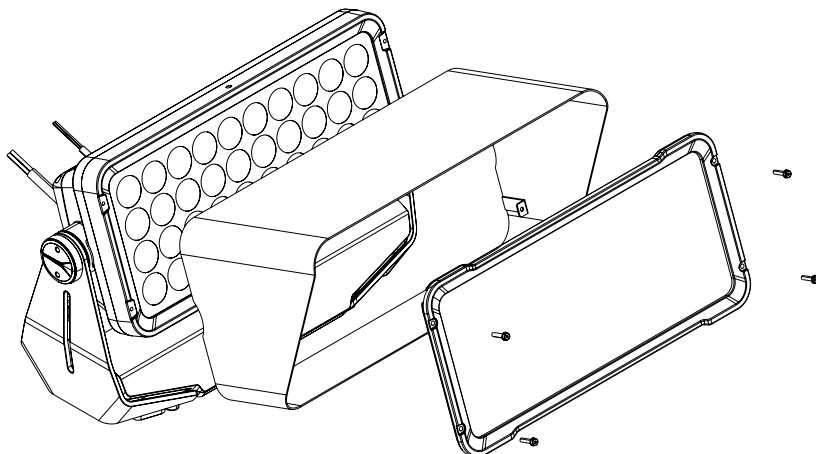


#### TECHNICAL DATA

PRODUCT NUMBER:	CLZW600IFULLGS
Product type:	Spotlight accessory
Type:	Glare protection (full glare shield)
Compatible spotlight:	CLZW600I
Material:	Metal (black)
Dimensions:	406 x 195 x 118 x 1.5 mm
Weight:	1.29 kg
Projected surface (incl. spotlight and mounting plate):	

PRODUCT NUMBER:	CLZW600IHALFGS
Product type:	Spotlight accessory
Type:	Glare protection (half glare shield)
Compatible spotlight:	CLZW600I
Material:	Metal (black)
Dimensions:	406 x 195 x 198/87 x 1.5 mm
Weight:	1.55 kg
Projected surface (incl. spotlight and mounting plate):	0.15 m <sup>2</sup>

PRODUCT NUMBER:	CLZW600ISMLS20/40/100/6010
Product type:	Spotlight accessory
Type:	25°, 45°, 100°, 60° x 10° diffuser
Compatible spotlight:	CLZW600I
Material:	Metal, plastic
Dimensions:	399.5 x 188.2 x 10.3 mm
Weight:	0.47 kg
Projected surface (incl. spotlight and mounting plate):	-



# INSTALLATION INSTRUCTIONS

## CLZW600IFULLGS, CLZW600IHALFGS

### CLZW600ISMLSD20/40/100/6010

(GLARE PROTECTION, DIFFUSERS)



#### DISPOSAL



##### Packaging:

1. Packaging can be fed into the reusable material cycle using the usual disposal methods.
2. Please separate the packaging in accordance with the disposal laws and recycling regulations in your country.

##### Product:

Dispose of the product in accordance with the applicable disposal regulations in your country.

#### MANUFACTURER'S DECLARATIONS

##### MANUFACTURER'S WARRANTY & LIMITATION OF LIABILITY

Adam Hall GmbH, Adam Hall Str. 1, 61267 Neu Anspach, Germany /  
E-mail [Info@adamhall.com](mailto:Info@adamhall.com) / +49 (0)6081 / 9419-0.

For details of our current warranty conditions and limitation of liability,  
see: [https://cdn-shop.adamhall.com/media/pdf/](https://cdn-shop.adamhall.com/media/pdf/Manufacturers-Declarations-CAMEO_DE_EN_ES_FR.pdf)

Manufacturers-Declarations-CAMEO\_DE\_EN\_ES\_FR.pdf

If you require service, please contact your distribution partner.

##### CE CONFORMITY

Adam Hall GmbH hereby declares that this product complies with the following directives (where applicable):

R&TTE (1999/5/EC) or RED (2014/53/EU) as of June 2017

Low Voltage Directive (2014/35/EU)

EMC Directive (2014/30/EU)

RoHS (2011/65/EU) The declaration of conformity

can be found at

[www.adamhall.com](http://www.adamhall.com).

You can also request it via [info@adamhall.com](mailto:info@adamhall.com).

**Subject to misprints and errors, as well as technical or other modifications!**

