

USER'S MANUAL
BEDIENUNGSANLEITUNG
MANUEL D'UTILISATION
MANUAL DE USUARIO
INSTRUKCJA OBSŁUGI
MANUALE D' USO



G4 T

TRACKLIGHT WITH TUNGSTEN LED
CLG4T / CLG4TWH

G4 N

TRACKLIGHT WITH NEUTRAL WHITE LED
CLG4N / CLG4NWH

CONTENTS / INHALTSVERZEICHNIS / CONTENU / CONTENIDO / TREŚĆ / CONTENUTO

ENGLISH

INFORMATION ON THIS USER MANUAL	6
INTENDED USE	6
DEFINITIONS AND SYMBOL EXPLANATIONS	6
SAFETY INSTRUCTIONS	7
INSTRUCTIONS FOR INDOOR INSTALLATION EQUIPMENT	10
PACKAGING CONTENT	10
INTRODUCTION	11
LAMP WITH HOLDING ARM AND RAIL ADAPTER	12
INSTALLATION	13
FITTING THE DIRECTIONAL GRILLE, DIFFUSER AND FILTER	14
OPTIONAL ACCESSORIES	15
CARE, MAINTENANCE AND REPAIR	15
DIMENSIONS	16
TECHNICAL DATA	17
MINIMUM DISTANCE TO ILLUMINATED SURFACE	18
MINIMUM DISTANCE TO NORMALLY FLAMMABLE MATERIALS	18
DISPOSAL	18
MANUFACTURER'S DECLARATIONS	19

DEUTSCH

INFORMATIONEN ZU DIESER BEDIENUNGSANLEITUNG	20
BESTIMMUNGSGEMÄSSER GEBRAUCH	20
BEGRIFFS- UND SYMBOLERKLÄRUNGEN	20
SICHERHEITSHINWEISE	21
HINWEISE FÜR INDOOR-INSTALLATIONSGERÄTE	24
LIEFERUMFANG	24
EINFÜHRUNG	25
SCHEINWERFER MIT HALTEARM UND SCHIENENADAPTER	26
MONTAGE	27
RICHTGITTER, STREUSCHEIBE UND FILTER MONTIEREN	28
OPTIONALES ZUBEHÖR	29
PFLEGE, WARTUNG UND REPARATUR	29
ABMESSUNGEN	30
TECHNISCHE DATEN	31
MINDESTABSTAND ZUR BELEUCHTETEN FLÄCHE	32
MINDESTABSTAND ZU NORMAL ENTFLAMMBAREN MATERIALIEN	32

ENGLISH

You have made the right choice!

This device has been developed and manufactured to the highest quality standards to ensure many years of problem-free operation. Please read this user manual carefully to be able to use your new Cameo product quickly and optimally. Further information about Cameo Light is available on our website **CAMEOLIGHT.COM**.

INFORMATION ON THIS USER MANUAL

- Carefully read the safety instructions and the entire manual before operating the device.
- Observe the warnings on the device and in the user manual.
- Always keep the user manual within reach.
- If you sell or pass on the device, it is important that you also include this user manual, as it is an integral part of the product.

INTENDED USE

This product is a spotlight for permanent installation!

This spotlight is intended exclusively for professional users and is not suitable for private households or third parties!

Use of the product outside the specified technical data and operating conditions, as well as incorrect installation, is considered inappropriate!

Liability for damage and third-party damage to persons and property due to inappropriate use is excluded!

The product is not suitable for:

- Use by persons (including children) with limited physical, sensory or mental abilities or lack of experience and knowledge.
- Children (children must be instructed not to play with the device).

DEFINITIONS AND SYMBOL EXPLANATIONS

1. **DANGER:** The word DANGER, possibly in combination with a symbol, indicates immediately dangerous situations or conditions for life and limb.
2. **WARNING:** The word WARNING, possibly in combination with a symbol, indicates potentially dangerous situations or conditions for life and limb.
3. **CAUTION:** The word CAUTION, possibly in combination with a symbol, is used to indicate situations or conditions that may lead to injury.
4. **ATTENTION:** The word ATTENTION, possibly in combination with a symbol, refers to situations or states that can lead to damage to property and/or the environment.



This symbol identifies hazards that can cause electric shock.



This symbol identifies hazardous areas or hazardous situations.



This symbol indicates hazards caused by hot surfaces.



This symbol indicates hazards caused by intense light sources.



This symbol indicates a device in which there are no user-replaceable parts.



This symbol indicates additional information on the operation of the product.



This symbol indicates a device that may only be used in dry rooms.

SAFETY INSTRUCTIONS



HAZARD:

1. Do not open or modify the unit.
2. If your device no longer functions properly, if liquids or objects get inside it or if it has been damaged in any other way, switch it off immediately and disconnect it from the mains. The device may be repaired only by authorised repair technicians.
3. For devices of protection class 1, the protective conductor must be connected correctly. Never disconnect the protective conductor. Devices of protection class 2 do not have a protective conductor.
4. Ensure that live cables are not kinked or otherwise mechanically damaged.
5. Never bypass the appliance fuse.



WARNING:

1. The device may not be operated if it shows obvious signs of damage.
2. The device may only be installed in a voltage-free state.
3. If the mains cable of the device is damaged, do not operate the device.
4. Permanently connected power cables may only be replaced by a qualified person.



ATTENTION:

1. Do not operate the unit if it has been exposed to large temperature fluctuations (for example, after transport). Moisture and condensation can damage the device. Switch on the device only when it has reached room temperature.

2. Make sure that the voltage and frequency of the mains supply correspond to the values indicated on the unit. If the device has a voltage selector switch, do not connect the device until it has been set correctly. Use only suitable power cables.
3. To disconnect the unit from the mains at all poles, it is not sufficient to press the on/off switch on the unit.
4. Make sure that the fuse used corresponds to the type printed on the unit.
5. Make sure that appropriate measures have been taken against overvoltage (e.g. lightning strike).
6. Observe the specified maximum output current on units with Power Out connection. Ensure that the total current consumption of all connected devices does not exceed the specified value.
7. Replace pluggable mains cables only with original cables.

**HAZARD:**

1. Danger of suffocation! Plastic bags and small parts must be kept out of reach of persons (including children) with reduced physical, sensory or mental capabilities.
2. Danger from falling down! Make sure that the device is securely installed and will not fall down. Only use suitable stands or mounts (particularly for fixed installations). Ensure that accessories are properly installed and secured. Ensure that applicable safety regulations are observed.

**WARNING:**

1. Use the device only in the manner intended.
2. Operate the device only with the accessories recommended and intended by the manufacturer.
3. During installation, observe the safety regulations applicable in your country.
4. After connecting the unit, check all cable routes to avoid damage or accidents, e.g. due to tripping hazards.
5. Always observe the specified minimum distance to normally flammable materials! Unless explicitly stated, the minimum distance is 0.3 m.
6. Always observe the minimum distance to the illuminated surface that can be read on the device!

**CAUTION:**

1. In the case of moving components such as mounting brackets or other moving components, there is a possibility of jamming.
2. In the case of units with motor-driven components, there is a risk of injury from the movement of the unit. Sudden movement of the device can cause shock reactions.
3. The housing surface of the device can become very hot during regular operation. Ensure that accidental touching of the housing is not possible. Always allow the lamp to cool sufficiently before removal, maintenance work and charging etc.





ATTENTION:

1. Do not install or operate the device near any radiators, heat registers, stoves or other heat sources. Ensure that the device is always installed in such a way that it is sufficiently cooled and cannot overheat.
2. Do not place ignition sources such as burning candles near the device.
3. Ventilation openings must not be covered and fans must not be blocked.
4. Use the original packaging or packaging provided by the manufacturer for transport.
5. Avoid shock or impact to the unit.
6. Observe the IP protection class as well as the ambient conditions such as temperature and humidity according to the specification.
7. Devices can be constantly further developed. In the event of deviating information on operating conditions, performance or other device properties between the user manual and the device labelling, the information on the device always takes priority.
8. The unit is not suitable for tropical climates and for operation above 2000 m above sea level.
9. Unless explicitly stated, the unit is not suitable for operation in marine conditions .



For conversion or retrofit sets or accessories provided by the manufacturer, it is essential to observe the instructions included.



CAUTION! IMPORTANT INFORMATION REGARDING LIGHTING PRODUCTS!

1. Never look directly into the beam of light, not even for a short period of time.
2. Never look into the beam of light using optical devices such as a magnifying glass.
3. Stroboscopic effects may cause epileptic seizures in susceptible individuals!



4. Permanently installed lamps are built into these lighting units. These may not be replaced by the user. The lamps contained in this lighting unit may only be replaced by the manufacturer, its service partner, or a similarly qualified person.



AMBIENT TEMPERATURE

Please observe the maximum ambient temperature in operation specified in the technical data. A special protection circuit in the headlamp ensures that the brightness is reduced if the ambient temperature is too high to protect the unit components. If you notice a significant loss of brightness in the headlamp, please check the ambient temperature in the direct vicinity of the headlamp and, if necessary, ensure that the temperature is brought to or below the maximum permitted value.



INSTRUCTIONS FOR INDOOR INSTALLATION EQUIPMENT

1. Units for installation applications are designed for continuous operation.
2. Equipment for indoor installation is not weather-resistant.
3. Surfaces and plastic parts can also age in installation equipment, e.g. due to UV irradiation and temperature fluctuations. This generally does not impair functionality.
4. With permanently installed devices, the accumulation of impurities, e.g. dust, is to be expected. Always observe the care instructions.
5. Unless explicitly stated otherwise on the device or in the technical data, the devices are intended for installation heights of less than 5 m.

PACKAGING CONTENT

Remove the product from the packaging and remove all packaging material. Please check the completeness and integrity of the delivery and notify your distribution partner immediately after purchase if the delivery is not complete or if it is damaged.

Included in the scope of delivery of the product CLG4T are:

- ▶ 1 x Cameo G4T spotlight, black
- ▶ User manual

The scope of delivery of the product CLG4TWH includes:

- ▶ 1 x Cameo G4T spotlight, white
- ▶ User manual

The scope of delivery of the product CLG4N includes:

- ▶ 1 x Cameo G4N spotlight, black
- ▶ User manual

Included in the scope of delivery of the product CLG4NWH are:

- ▶ 1 x Cameo G4N spotlight, white
- ▶ User manual

INTRODUCTION

LED Gallery Light with one 40 W Tungsten LED (warm white)

CLG4T (black housing)

CLG4TWH (white housing)

LED Gallery Light with one 40 W Neutral White LED (neutral white)

CLG4N (black housing)

CLG4NWH (white housing)

CONTROL FUNCTIONS

Manual dimmer

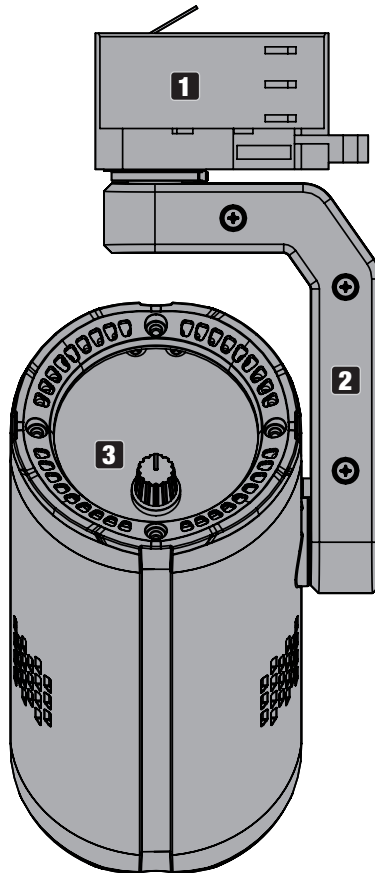
FEATURES

Compatible with GLOBAL pro (formerly NOKIA) XTS, XTTS and XTSC 3-phase tracks

40 W Neutral White / Tungsten LED. Operating voltage: 100–240 V AC.

Diffusing screens, filters and straightening grids optionally available.

LAMP WITH HOLDING ARM AND RAIL ADAPTER



- The CLG4T and CLG4N models have identical mechanical features and controls -

1 RAIL ADAPTER

Rail adapter for mounting on a compatible 3-phase rail.

2 TILTABLE AND SWIVELLING SUPPORT ARM

Support arm with two joints for adjusting the beam direction on the horizontal and vertical plane.

3 DIMMER

Dimmer for adjusting the brightness.

INSTALLATION

HAZARD: Overhead mounting requires extensive experience, including the calculation of the load limit values of the installation material and regular safety inspection of all installation materials and spotlights. If you do not have these qualifications, do not attempt to perform an installation yourself. Refer instead to a qualified professional. There is a risk that devices that are incorrectly mounted and secured may come loose and fall down. This can cause serious injury or death.



DANGER: Only use the spotlight for horizontally mounted rails (horizontal ceiling mounting)! The spotlight is not suitable for inclined rails and wall mounting!

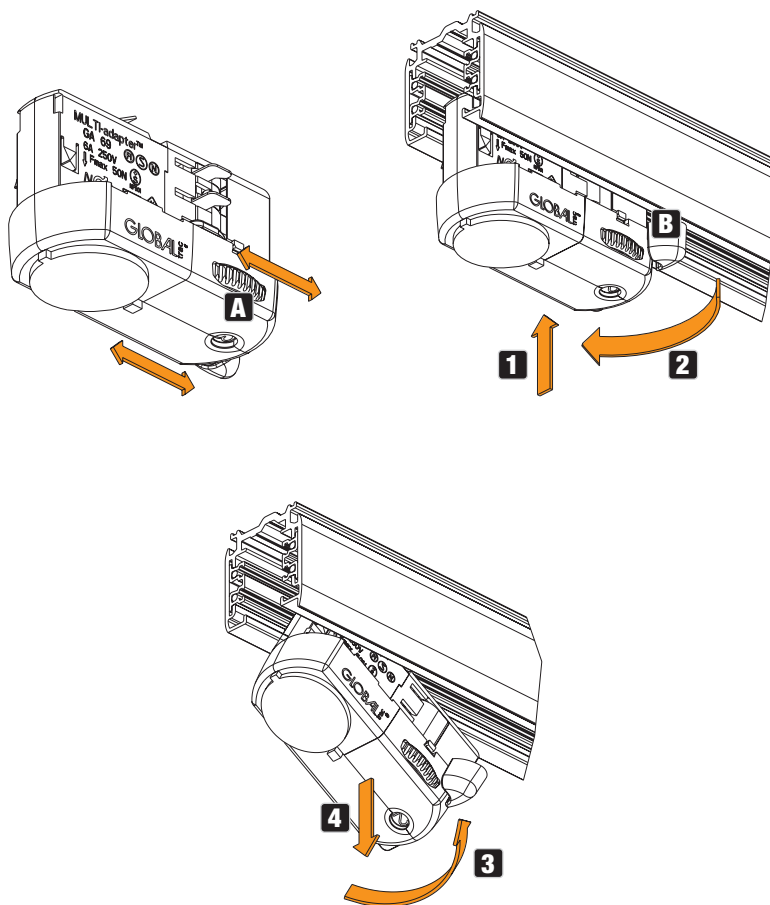


WARNING: Before mounting or dismounting, make sure that no electrical voltage is applied to the 3-phase rail (switch off fuses)!



ATTENTION: The spotlight is not suitable for use with external dimmers!

Use the knurled wheel A to set to phase 1, 2 or 3 (see window below the knurled wheel; 0 = off). The adjustment can be made before or after mounting on a rail. To mount on a rail, open the locking lever B of the rail adapter (lever in open position in the illustration) and then press the adapter into the rail until it lies flat on the rail edges (Fig. 1). Secure the connection by closing the locking lever again (Fig. 2).

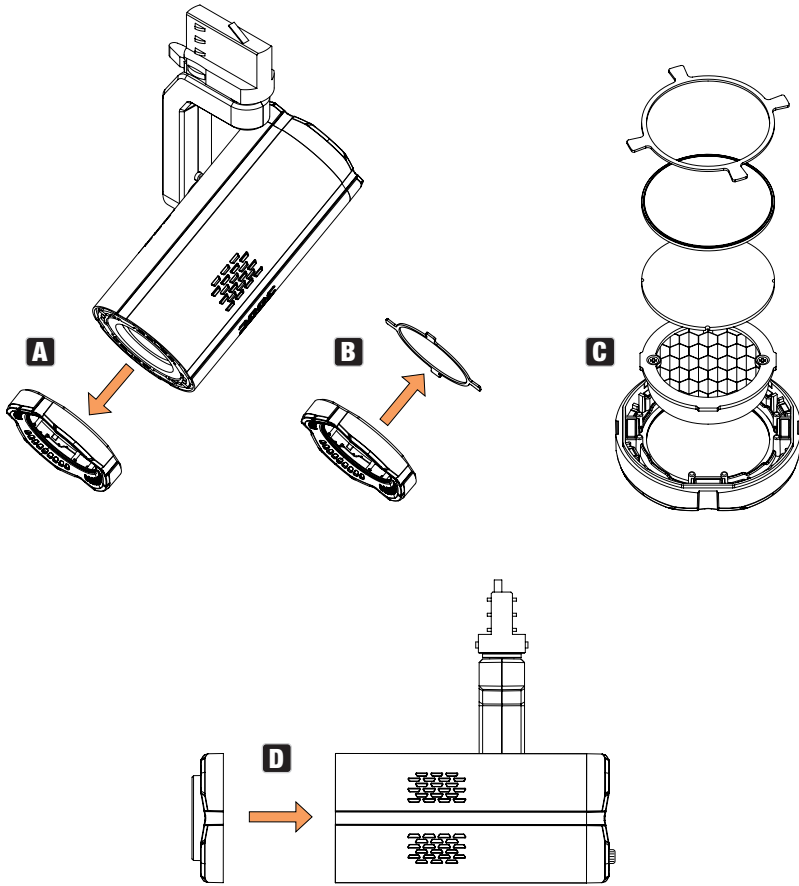


To dismantle the headlamp, open the locking lever (fig. 3) and pull the headlamp downwards out of the rail (fig. 4).

FITTING THE DIRECTIONAL GRILLE, DIFFUSER AND FILTER

Up to three optionally available accessories can be mounted in combination in front of the headlamp's exit lens (see OPTIONAL ACCESSORIES).

Remove the end ring held by strong magnets from the headlamp (fig. A) and then remove the retaining ring, also held by magnets, from the end ring (fig. B). Now place the desired accessories (in example C, first the straightening grid, then a diffusing disc and then a CTO filter) in the end ring and then place the retaining ring on the accessories in the end ring. Which of the three possible positions the retaining ring is placed in depends on the total height of the inserted accessories.



Now place the end ring including accessories on the headlamp as shown in figure D.

OPTIONAL ACCESSORIES

Filter

CLG4CTB (CTB Filter)

CLG4CTO (CTO filter)

Diffusers

CLG46010LENS (60° x 10°)

CLG410LENS (10°)

CLG420LENS (20°)

CLG430LENS (30°)

CLG460LENS (60°)

Straightening grids

CLG4HC (Honeycomb, black)

CLG4HCWH (Honeycomb, white)

CARE, MAINTENANCE AND REPAIR

In order to ensure the long-term, proper functioning of the device, it must be regularly cleaned and, if necessary, maintained. The maintenance requirement depends on the intensity of use and the environment in which it is used. We generally recommend a visual inspection before each operation. Furthermore, we recommend carrying out all the applicable maintenance measures specified below once every 500 operating hours or, in the case of a lower intensity of use, at the latest after one year. Warranty claims may be limited in the event of defects resulting from inadequate maintenance.

CARE (carried out by user)



WARNING! Before carrying out any maintenance work, the power supply and, if possible, all device connections must be unplugged.



PLEASE NOTE! Improper care can lead to impairment of the device or even its destruction.

1. Housing surfaces must be cleaned with a clean, damp cloth. Make sure that no moisture can penetrate the device.
2. Air inlets and outlets must be regularly cleaned of dust and dirt. If compressed air is used, make sure that damage to the device is prevented (e.g. fans must be blocked in this case).
3. Lines and plug contacts must be cleaned regularly and dust and dirt must be removed.
4. In general, no cleaning agents or abrasive agents may be used, otherwise the surface finish may be damaged.
5. Devices must generally be stored dry and protected from dust and dirt.

MAINTENANCE AND REPAIR (by qualified personnel only)



HAZARD! There are live components in the device. Even after disconnecting the mains connection, there may still be residual voltage in the device, for example, due to charged capacitors.



NOTE! There are no user-serviceable assemblies in the device.



NOTE! Maintenance and repair work may only be carried out by qualified specialist personnel authorised by the manufacturer. If in doubt, consult the manufacturer.



NOTE! Improperly performed maintenance work may affect the warranty claim.

DIMENSIONS (mm)

ENGLISH

DEUTSCH

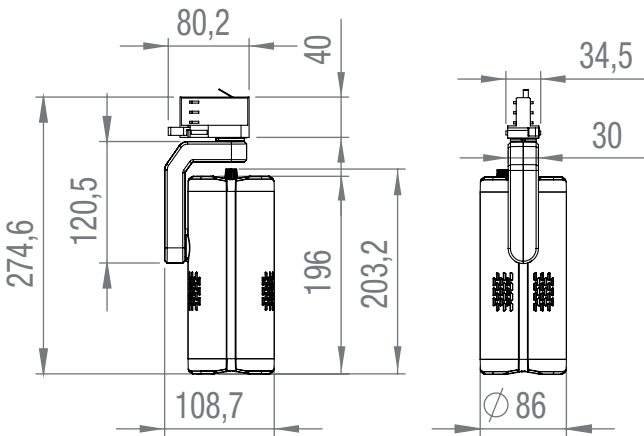
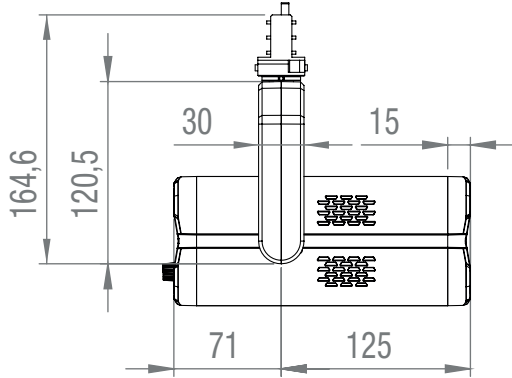
FRANCAIS

ESPAÑOL

POLSKI

ITALIANO

DMX



TECHNICAL DATA

Product number:	CLG4T(WH)	CLG4N(WH)
Product type:	LED spotlight	LED spotlight
Type:	Installation spotlight	Installation spotlight
Colour spectrum:	3000K	4000K
Number of LEDs:	1	1
LED type:	Single	Single
LED output:	40W	40W
LED PWM frequency:	800Hz (fixed)	800Hz (fixed)
Half chaff angle:	5	5
Tenth scattering angle:	10	10
DMX input:	----	----
DMX output:	----	----
DMX functions:	---	---
Control:	Manual	Manual
Standalone functions:	---	---
Operating controls:	Encoder for dimming	Encoder for dimming
Operating voltage:	100 – 240 V AC / 50 – 60 Hz	100 – 240 V AC / 50 – 60 Hz
Power consumption:	25W	25W
Inrush current:	45A / 0.3ms (first half-wave)	45A / 0.3ms (first half-wave)
Luminous flux:	715 lm	735 lm
Colour reproduction index Ra:	>97	>97
Compatible rails:	GLOBAL pro (formerly NOKIA) XTS, XTTS and XTSC 3-phase tracks	GLOBAL pro (formerly NOKIA) XTS, XTTS and XTSC 3-phase tracks
Power supply connection:	Rail adapter (selectable phase)	Rail adapter (selectable phase)
Ambient temperature (in operation):	0°C – 40°C	0°C – 40°C
Relative air humidity:	<80%, non-condensing	<80%, non-condensing
Housing colour:	Black(CLG4T) / White(CLG4TWH)	Black(CLG4N) / White(CLG4NWH)
Housing material:	Metal	Metal
Housing cooling:	Convection cooling	Convection cooling
Minimum distance to illuminated surface:	0.5 m	0.5 m
Minimum distance to normally flammable materials:	0.5 m	0.5 m
Dimensions (Ø x L, without support arm):	86 x 196 mm	86 x 196 mm
Weight:	1.2 kg	1.2 kg
RDP (Material Group A):	0,24	0,58
RDP (Material Group B):	0,58	0,58

ENGLISH

DEUTSCH

FRANCAIS

ESPAÑOL

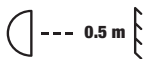
POLSKI

ITALIANO

DMX

Accessories (optional):	Interchangeable lenses (10°, 20°, 30°, 60°, 60°x10°) Honeycomb, CTO filter, CTB filter	Interchangeable lenses (10°, 20°, 30°, 60°, 60°x10°) Honeycomb, CTO filter, CTB filter
-------------------------	-------------------------------------------------------------------------------------------------	-------------------------------------------------------------------------------------------------

MINIMUM DISTANCE TO ILLUMINATED SURFACE



This symbol with distance specification in metres (m) indicates the minimum distance between the light head and the illuminated surface. In this example, the distance is 0.5 m. Please refer to the technical data in this manual and the imprint on the unit casing for the value valid for this unit!

MINIMUM DISTANCE TO NORMALLY FLAMMABLE MATERIALS



This symbol with distance specification in metres (m) indicates the minimum distance between the light head and normally flammable materials. In this example, the distance is 0.5 m. Please refer to the technical data in this manual for the value valid for this unit!

DISPOSAL



PACKAGING:

1. Packaging can be fed into the reusable material cycle using the usual disposal methods.
2. Please separate the packaging in accordance with the disposal laws and recycling regulations in your country.



DEVICE:

1. This appliance is subject to the European Directive on Waste Electrical and Electronic Equipment as amended. WEEE Directive Waste Electrical and Electronic Equipment. Old appliances do not belong in household waste. The old device must be disposed of via an approved disposal company or a municipal disposal facility. Please observe the applicable regulations in your country!
2. Observe all disposal laws and regulations applicable in your country.
3. As a private customer, you can obtain information on environmentally-friendly disposal options from the seller of the product or the appropriate regional authorities.

MANUFACTURER'S DECLARATIONS

Manufacturer's warranty & limitation of liability

Adam Hall GmbH, Adam-Hall-Str. 1, D-61267 Neu-Anspach /

E-Mail Info@adamhall.com / +49 (0)6081 / 9419-0

Our current warranty conditions and limitation of liability can be found at:

https://cdn-shop.adamhall.com/media/pdf/Manufacturers-Declarations-CAMEO_DE_EN_ES_FR.pdf

In case of service, please contact your sales partner.

CE conformity

Adam Hall GmbH hereby confirm that this product meets the following guidelines (where applicable):

Low-Voltage Directive (2014/35/EU)

EMC Directive (2014/30/EU)

RoHS (2011/65/EU)

RED (2014/53/EU)

EC Declaration of Conformity

Declarations of conformity for products subject to the LVD, EMC, RoHS Directive can be requested from info@adamhall.com. Declarations of conformity for products subject to the RED Directive can be obtained from adamhall.com/compliance/ can be downloaded.

Subject to misprints and errors, as well as technical or other modifications!



CAMEOLIGHT.COM

Adam Hall GmbH

Adam-Hall-Str. 1 | 61267 Neu-Anspach | Germany

Phone: +49 6081 9419-0 | adamhall.com

Adam Hall Ltd. | The Seedbed Business Centre | SS3 9QY Essex | United Kingdom



REV: 03