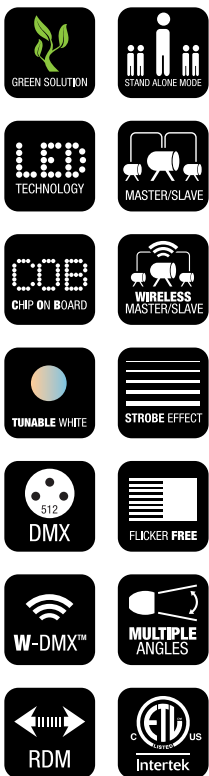


USER'S MANUAL  
BEDIENUNGSANLEITUNG  
MANUEL D'UTILISATION  
MANUAL DE USUARIO  
INSTRUKCJA OBSŁUGI  
MANUALE D' USO



# G4 TW

TRACKLIGHT WITH TUNABLE WHITE LED  
CLG4TW / CLG4TWWH

# **CONTENTS / INHALTSVERZEICHNIS / CONTENU / CONTENIDO / TREŚĆ / CONTENUTO**

## **ENGLISH**

INFORMATION ON THIS USER MANUAL	6
INTENDED USE	6
DEFINITIONS AND SYMBOL EXPLANATIONS	6
SAFETY INSTRUCTIONS	7
INSTRUCTIONS FOR INDOOR INSTALLATION EQUIPMENT INCLUDED	10
INTRODUCTION	11
CONNECTIONS, OPERATING AND DISPLAY ELEMENTS	12
OPERATION PER UNIT CONTROLLER CAMEO UNICON	14
INSTALLATION	20
FITTING THE DIRECTIONAL GRILLE, DIFFUSER AND FILTER	21
OPTIONAL ACCESSORIES	22
CARE, MAINTENANCE AND REPAIR	22
DIMENSIONS	23
TECHNICAL DATA	24
MINIMUM DISTANCE TO ILLUMINATED SURFACE	25
MINIMUM DISTANCE TO NORMALLY FLAMMABLE MATERIALS	25
DISPOSAL	25
MANUFACTURER'S DECLARATIONS	26

## **DEUTSCH**

INFORMATIONEN ZU DIESER BEDIENUNGSANLEITUNG	27
BESTIMMUNGSGEMÄSSER GEBRAUCH	27
BEGRIFFS- UND SYMBOLERKLÄRUNGEN	27
SICHERHEITSHINWEISE	28
HINWEISE FÜR INDOOR-INSTALLATIONSGERÄTE	32
LIEFERUMFANG	32
EINFÜHRUNG	32
ANSCHLÜSSE, BEDIEN- UND ANZEIGEELEMENTE	33
BEDIENUNG PER UNIT CONTROLLER CAMEO UNICON	35
MONTAGE	41
RICHTGITTER, STREUSCHEIBE UND FILTER MONTIEREN	42
OPTIONALES ZUBEHÖR	43
PFLEGE, WARTUNG UND REPARATUR	44
ABMESSUNGEN	45
TECHNISCHE DATEN	46

CONTENUTO DELL'IMBALLAGGIO	122
INTRODUZIONE	122
CONNESSIONI, ELEMENTI DI COMANDO E DI VISUALIZZAZIONE	123
FUNZIONAMENTO PER UNITÀ CONTROLLER CAMEO UNICON	125
INSTALLAZIONE	131
MONTAGGIO DELLA GRIGLIA DIREZIONALE, DEL DIFFUSORE E DEL FILTRO	132
ACCESSORI OPZIONALI	133
CURA, MANUTENZIONE E RIPARAZIONE	134
DIMENSIONI	135
DATI TECNICI	136
DISTANZA MINIMA DALLA SUPERFICIE ILLUMINATA	137
DISTANZA MINIMA DA MATERIALI NORMALMENTE INFLAMMABILI	137
SMALTIMENTO	137
DICHIARAZIONI DEL PRODUTTORE	138
DMX CONTROL / DMX STEUERUNG / PILOTAGE DMX / CONTROL DMX / STEROWANIE DMX / CONTROLLO DMX	139

## ENGLISH

You have made the right choice!

This device has been developed and manufactured to the highest quality standards to ensure many years of problem-free operation. Please read this user manual carefully to be able to use your new Cameo product quickly and optimally. Further information about Cameo Light is available on our website **CAMEOLIGHT.COM**.

### INFORMATION ON THIS USER MANUAL

- Carefully read the safety instructions and the entire manual before operating the device.
- Observe the warnings on the device and in the user manual.
- Always keep the user manual within reach.
- If you sell or pass on the device, it is important that you also include this user manual, as it is an integral part of the product.

### INTENDED USE

This product is a spotlight for permanent installation!

This spotlight is intended exclusively for professional users and is not suitable for private households or third parties!

Use of the product outside the specified technical data and operating conditions, as well as incorrect installation, is considered inappropriate!

Liability for damage and third-party damage to persons and property due to inappropriate use is excluded!

The product is not suitable for:

- Use by persons (including children) with limited physical, sensory or mental abilities or lack of experience and knowledge.
- Children (children must be instructed not to play with the device).

### DEFINITIONS AND SYMBOL EXPLANATIONS

1. **DANGER:** The word DANGER, possibly in combination with a symbol, indicates immediately dangerous situations or conditions for life and limb.
2. **WARNING:** The word WARNING, possibly in combination with a symbol, indicates potentially dangerous situations or conditions for life and limb.
3. **CAUTION:** The word CAUTION, possibly in combination with a symbol, is used to indicate situations or conditions that may lead to injury.
4. **ATTENTION:** The word ATTENTION, possibly in combination with a symbol, refers to situations or states that can lead to damage to property and/or the environment.



This symbol identifies hazards that can cause electric shock.



This symbol identifies hazardous areas or hazardous situations.



This symbol indicates hazards caused by hot surfaces.



This symbol indicates hazards caused by intense light sources.



This symbol indicates a device in which there are no user-replaceable parts.



This symbol indicates additional information on the operation of the product.



This symbol indicates a device that may only be used in dry rooms.

## SAFETY INSTRUCTIONS



### HAZARD:

1. Do not open or modify the unit.
2. If your device no longer functions properly, if liquids or objects get inside it or if it has been damaged in any other way, switch it off immediately and disconnect it from the mains. The device may be repaired only by authorised repair technicians.
3. For devices of protection class 1, the protective conductor must be connected correctly. Never disconnect the protective conductor. Devices of protection class 2 do not have a protective conductor.
4. Ensure that live cables are not kinked or otherwise mechanically damaged.
5. Never bypass the appliance fuse.



### WARNING:

1. The device may not be operated if it shows obvious signs of damage.
2. The device may only be installed in a voltage-free state.
3. If the mains cable of the device is damaged, do not operate the device.
4. Permanently connected power cables may only be replaced by a qualified person.



### ATTENTION:

1. Do not operate the unit if it has been exposed to large temperature fluctuations (for example, after transport). Moisture and condensation can damage the device. Switch on the device only when it has reached room temperature.



2. Make sure that the voltage and frequency of the mains supply correspond to the values indicated on the unit. If the device has a voltage selector switch, do not connect the device until it has been set correctly. Use only suitable power cables.
3. To disconnect the unit from the mains at all poles, it is not sufficient to press the on/off switch on the unit.
4. Make sure that the fuse used corresponds to the type printed on the unit.
5. Make sure that appropriate measures have been taken against overvoltage (e.g. lightning strike).
6. Observe the specified maximum output current on units with Power Out connection. Ensure that the total current consumption of all connected devices does not exceed the specified value.
7. Replace pluggable mains cables only with original cables.

**HAZARD:**

1. Danger of suffocation! Plastic bags and small parts must be kept out of reach of persons (including children) with reduced physical, sensory or mental capabilities.
2. Danger from falling down! Make sure that the device is securely installed and will not fall down. Only use suitable stands or mounts (particularly for fixed installations). Ensure that accessories are properly installed and secured. Ensure that applicable safety regulations are observed.

**WARNING:**

1. Use the device only in the manner intended.
2. Operate the device only with the accessories recommended and intended by the manufacturer.
3. During installation, observe the safety regulations applicable in your country.
4. After connecting the unit, check all cable routes to avoid damage or accidents, e.g. due to tripping hazards.
5. Always observe the specified minimum distance to normally flammable materials! Unless explicitly stated, the minimum distance is 0.3m.
6. Always observe the minimum distance to the illuminated surface that can be read on the device!

**CAUTION:**

1. In the case of moving components such as mounting brackets or other moving components, there is a possibility of jamming.
2. In the case of units with motor-driven components, there is a risk of injury from the movement of the unit. Sudden movement of the device can cause shock reactions.
3. The housing surface of the device can become very hot during regular operation. Ensure that accidental touching of the housing is not possible. Always allow the lamp to cool sufficiently before removal, maintenance work and charging etc.





### ATTENTION:

1. Do not install or operate the device near any radiators, heat registers, stoves or other heat sources. Ensure that the device is always installed in such a way that it is sufficiently cooled and cannot overheat.
2. Do not place ignition sources such as burning candles near the device.
3. Ventilation openings must not be covered and fans must not be blocked.
4. Use the original packaging or packaging provided by the manufacturer for transport.
5. Avoid shock or impact to the unit.
6. Observe the IP protection class as well as the ambient conditions such as temperature and humidity according to the specification.
7. Devices can be constantly further developed. In the event of deviating information on operating conditions, performance or other device properties between the user manual and the device labelling, the information on the device always takes priority.
8. The unit is not suitable for tropical climates and for operation above 2000m above sea level.
9. Unless explicitly stated, the unit is not suitable for operation in marine conditions .



For conversion or retrofit sets or accessories provided by the manufacturer, it is essential to observe the instructions included.



### CAUTION! IMPORTANT INFORMATION REGARDING LIGHTING PRODUCTS!

1. Never look directly into the beam of light, not even for a short period of time.
2. Never look into the beam of light using optical devices such as a magnifying glass.
3. Stroboscopic effects may cause epileptic seizures in susceptible individuals!
4. Permanently installed lamps are built into these lighting units. These may not be replaced by the user. The lamps contained in this lighting unit may only be replaced by the manufacturer, its service partner, or a similarly qualified person.



### SIGNAL TRANSMISSION BY RADIO (e.g. W-DMX or audio radio systems):

The quality and performance of wireless signal transmissions generally depends on the ambient conditions. The following factors can impact range and signal stability, for example:

Shielding (e.g. masonry, metal structures, water)

High volume of radio traffic (e.g. powerful wireless LAN networks)

Interference

Electromagnetic radiation (e.g. LED video screens, dimmers)

All range specifications refer to free-field application with visual contact and without interference!



The operation of transmission systems is subject to official regulations. These may vary from region to region and must be checked by the operator before use (e.g. radio frequency and transmission power).



**WARNING:** Devices with wireless signal transmission are not suitable for use in sensitive areas in which radio operation can lead to potential detrimental effects. These include:

- Hospitals, health centres or other healthcare facilities that provide patient treatment with skilled personnel and equipment.
- Hazardous areas Class I, II and III
- Restricted areas
- Military facilities
- Aircraft or vehicles
- Areas where the use of mobile phones is prohibited



#### **TRANSMISSION VIA W-DMX**

**WARNING:** In general, wireless DMX transmission must not be used for applications involving safety-related factors that might result in personal injury or property damage in the event of a failure.

This applies in particular to moving scene or traverse structures, DMX-controlled motors/lifts or lifting devices for operating DMX-operated platform lifts, hydraulic systems or comparable moving components.

Furthermore, wireless DMX transmission must not be used to trigger flame or pyrotechnic devices, explosion-driven effects, or to control gas or liquid effects. These include CO2 cannons, confetti shooters, water effects or similar.



#### **AMBIENT TEMPERATURE**

Please observe the maximum ambient temperature in operation specified in the technical data. A special protection circuit in the headlamp ensures that the brightness is reduced if the ambient temperature is too high to protect the unit components. If you notice a significant loss of brightness in the headlamp, please check the ambient temperature in the direct vicinity of the headlamp and, if necessary, ensure that the temperature is brought to or below the maximum permitted value.



#### **INSTRUCTIONS FOR INDOOR INSTALLATION EQUIPMENT**

1. Equipment for installation applications is designed for continuous operation.
2. Equipment for indoor installation is not weather-resistant.
3. Surfaces and plastic parts can also age in installation equipment, e.g. due to UV irradiation and temperature fluctuations. This generally does not impair functionality.





4. With permanently installed devices, the accumulation of impurities, e.g. dust, is to be expected. Always observe the care instructions.
5. Unless explicitly stated otherwise on the device or in the technical data, the devices are intended for installation heights of less than 5 m.

## INCLUDED

Remove the product from the packaging and remove all packaging material. Please check the completeness and integrity of the delivery and notify your distribution partner immediately after purchase if the delivery is not complete or if it is damaged.

Included with the product CLG4TW are:

- ▶ 1 x Cameo G4TW spotlight, black
- ▶ User manual

Included in the scope of delivery of the product CLG4TWWH are:

- ▶ 1 x Cameo G4TW spotlight, white
- ▶ User manual

## INTRODUCTION

LED Gallery Light with one 40 W Cold White / Warm White LED

CLG4TW (black housing)

CLG4TWWH (white housing)

## CONTROL FUNCTIONS

1CH, 2CH 16 bit, 2CH CCT, 2CH WW-CW and 7CH 16 bit DMX control W-DMX™

Standalone function (set up via Cameo Unicon)

## FEATURES

Compatible with GLOBAL pro (formerly NOKIA) XTS, XTTS and XTSC 3-phase tracks.

40 W CW / WW LED. W-DMX™. DMX512. RJ45 connection Operating voltage: 100–240 V AC.

Diffusing screens, filters and straightening grids optionally available.

The spotlight features the RDM standard (Remote Device Management). This remote unit management enables status query and configuration of RDM end devices via an RDM-capable controller, such as the optionally available Unit Controller Cameo UNICON (item number CLIREMOTE).

The Cameo UNICON also allows access to the entire fixture menu.

## CONNECTIONS, OPERATING AND DISPLAY ELEMENTS

ENGLISH

DEUTSCH

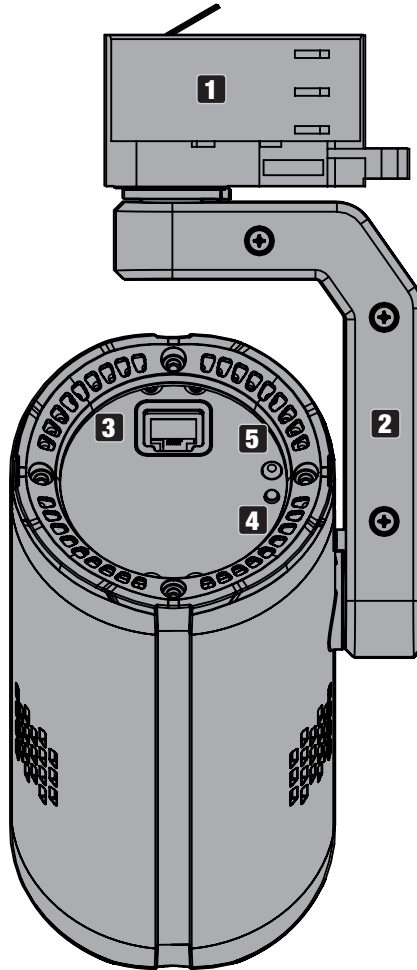
FRANCAIS

ESPAÑOL

POLSKI

ITALIANO

DMX



### **1 RAIL ADAPTER**

Rail adapter for mounting on a compatible 3-phase rail.

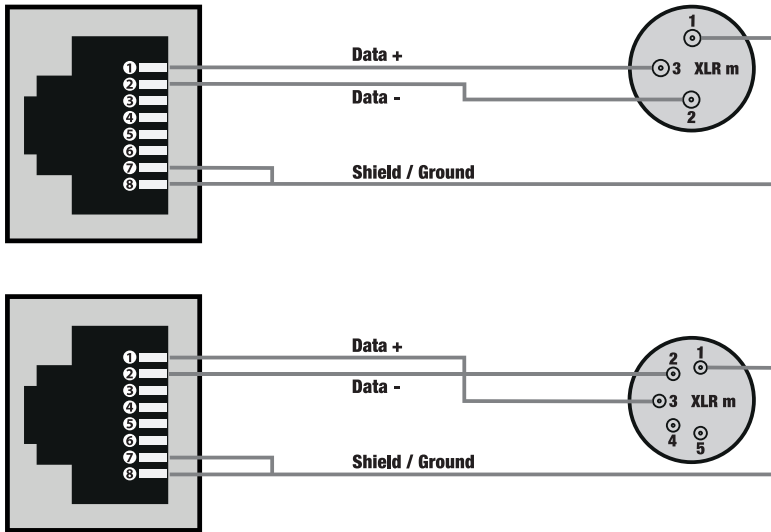
### **2 TILTABLE AND SWIVELLING SUPPORT ARM**

Support arm with two joints for adjusting the beam direction on the horizontal and vertical plane.

### **3 RJ45 INTERFACE**

Interface for configuring and controlling the fixture using the Cameo UNICON DMX/RDM controller.

The fixture can also be configured using another RDM controller and controlled using a standard DMX controller. Pin assignment:



#### 4 W-DMX RESET BUTTON

Button for disconnecting W-DMX connections and for pairing the spotlight with W-DMX devices. The housing surface of the device can become very hot during regular operation. Always allow the unit to cool down sufficiently before operating the button. Activate the fixture's W-DMX receiver (W-DMX On) and reset the receiver by pressing the button for about 3 seconds. All previous connections are disconnected and the receiver is set to pairing readiness for approx. 1 minute; the status LED no. 7 flashes red quickly. The receiver is now waiting for a transmitter pairing request. Start the pairing process on the transmitter; the pairing occurs automatically. In the same way, several receivers can be paired to a transmitter either simultaneously or one after the other. A W-DMX connection is always maintained until the connection is disconnected by means of the Reset command in the receiver or the Unlink command in the transmitter, regardless of whether a device has been disconnected from the power supply in the meantime.

#### 5 STATUS LED

The LED shows the current status of the spotlight when controlled via cable and W-DMX.

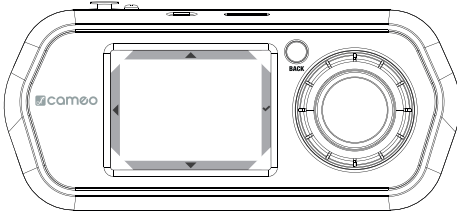
### Control via cable (RJ45, W-DMX deactivated)

LED lights up permanently blue	DMX signal is present
LED flashes blue	No DMX signal
LED off	Stand-alone operation

### Control via W-DMX™

LED flashes red with approx. 1Hz	Activate W-DMX
LED flashes red quickly	Pairing with a transmitter cancelled and set to pairing readiness
LED is permanently lit green	Paired, DMX signal present
LED flashes green	Paired, no DMX signal

## OPERATION PER UNIT CONTROLLER CAMEO UNICON (optionally available)

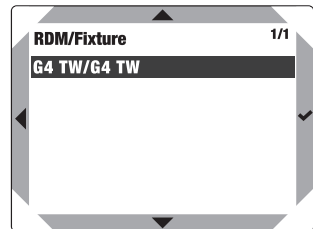
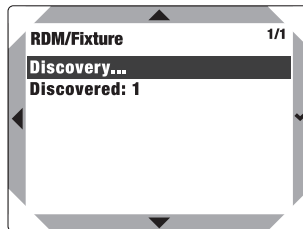
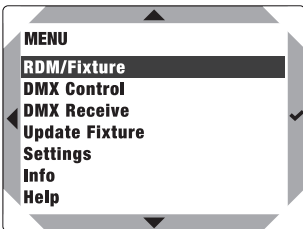


### Functions of the controls

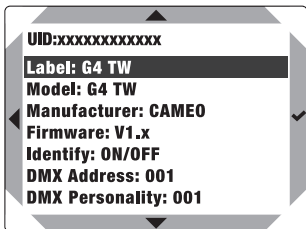
Display		Encoder + BACK
▲	Value up	↻
▼	Value down	↻
◀	Back	Back
✓	Confirm	Encoder

After you have switched on the Unit Controller UNICON (briefly press BACK to switch it on), "Update, Please Wait" appears briefly in the display (for service purposes only) and then the main menu. Connect the remote unit to the Gallery Light G4 TW via network cable and connect the spotlight to the power supply.

Select the menu item **RDM/Fixture** and confirm the selection. Now the system searches for connected RDM devices (Discovery) and if the G4 TW is correctly connected and switched on, a device is found (Discovered: 1). After a short time, the G4 TW is displayed as the only unit in a list (the first part of the displayed RDM unit shows the unit model, the second part behind "/" is the label and can be individually adjusted in the menu item **Label** for easier identification). Now confirm to enter the submenu.



All information and configuration options for the spotlight that can be called up and edited via RDM are now displayed.

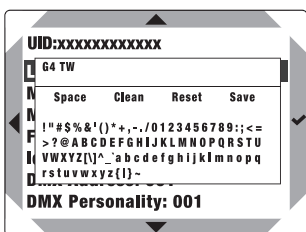


List of information and configuration options with explanations:

<b>UID:</b>	Individual and unchangeable identification number of the selected RDM device	
<b>Label:</b>	Individually adjustable marking of the RDM unit	
<b>Model:</b>	Device model	
<b>Manufacturer:</b>	Device manufacturer	
<b>Firmware:</b>	Device firmware	
<b>Identify:</b>	<b>ON</b>	Selected spotlight flashes with approx. 1 Hz
	<b>OFF</b>	Flashing disabled
<b>DMX Address</b>	Current DMX start address (can be edited in the menu option)	
<b>DMX Personality:</b>	Current DMX mode (can be edited in the menu option)	
<b>DMX Slots:</b>	Number of channels in current DMX mode	
<b>Sensor</b>	LED temperature (press  to display)	
<b>Fixture Menu</b>	Individual Cameo device menu for editing settings (see <b>DEVICE MENU [Fixture Menu]</b> )	

## LABEL

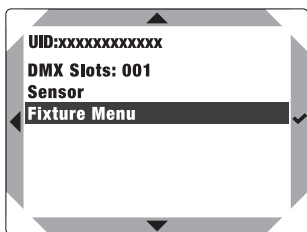
In the RDM/Fixture menu, select **Label** and confirm the selection to individually name the RDM device.



Select characters:	or  or turn the encoder
Delete all characters:	<b>Reset</b>
Set space:	<b>Space</b>
Reset position:	<b>Clean</b>
Secure labelling:	<b>Save</b>
Confirm command or character and select the next digit:	Press  or encoder

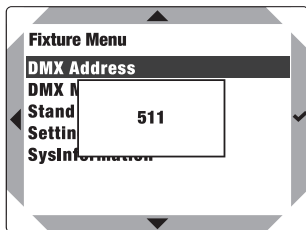
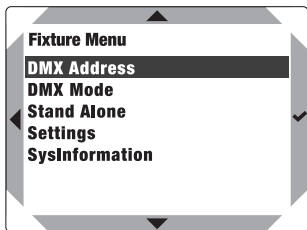
## DEVICE MENU (Fixture Menu):

In the RDM/Fixture menu, select **Fixture Menu** and confirm the selection.



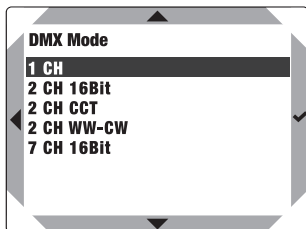
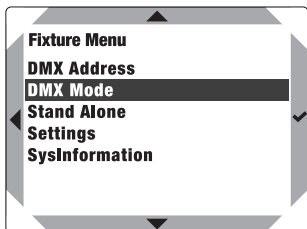
## CONFIGURE DMX START ADDRESS

Select **DMX Address**, confirm the selection, set the desired DMX address and confirm the entry. (highest value depends on the currently activated DMX operating mode)



## SELECT DMX MODE

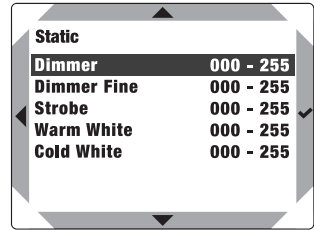
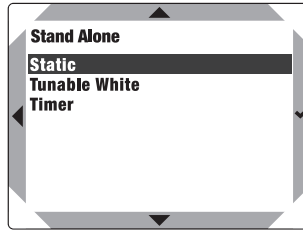
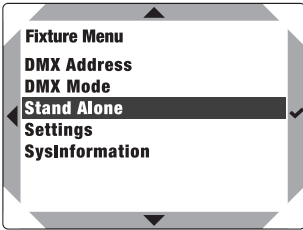
Select **DMX Mode**, confirm the selection, then select the desired DMX mode and confirm the selection.



## STATIC STANDALONE MODE

The Static standalone mode allows the Dimmer, Dimmer Fine, Strobe and RGBAL values to be set directly on the device with values between 000 and 255, in a similar way to with a DMX controller. In this way, an individual scene can be created without an additional DMX controller.

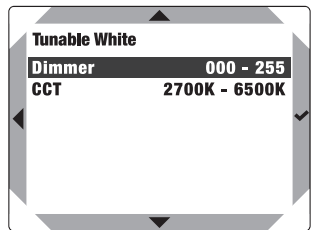
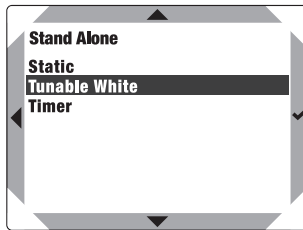
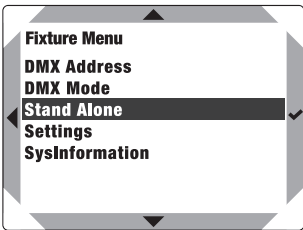
Select **Stand Alone**, confirm the selection, then select **Static** and confirm again. Now select the menu item you wish to edit and confirm the selection. In the selected menu item, set the desired value from 000 to 255 and confirm the entry. The values for the strobe effect correspond to the values in channel 3 of the DMX table 7 CH 16 bit.



## STANDALONE MODE TUNEABLE WHITE

In the standalone mode Tuneable White, the colour temperature (CCT) can be adjusted from 1800 K to 6500 K in 100 K increments, in addition to the brightness (Dimmer) and colour (Tint).

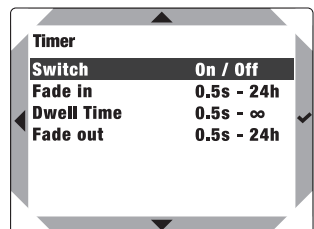
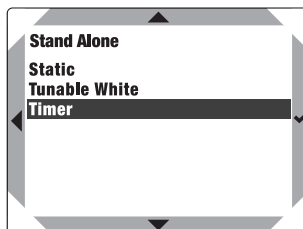
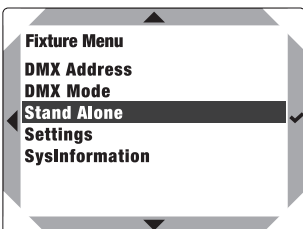
Select **Stand Alone**, confirm the selection, then select **Tunable White** and confirm again. Now select the menu item you wish to edit and confirm the selection. Set the desired value and confirm the entry.



## TIMER FUNCTION

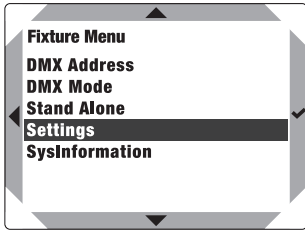
The timer function allows the standalone modes Static, Color Macro and Tuneable White to be timer controlled in such a way that the Fade In time can be configured from 0.5 seconds to 24 hours, the Dwell Time from 0.5 seconds to 24 hours and infinite (Limitless) and the Fade Out time from 0.5 seconds to 24 hours. After activation of the timer function, the timer control will be implemented upon the next system start.

Select **Stand Alone**, confirm the selection, then select **Timer** and confirm again. Under **Switch**, select the setting **On** and confirm. For the individual timer control settings, select **Fade In**, **Dwell Time** or **Fade Out** and confirm. You can now set the respective value as desired. Confirm all entries. To deactivate the timer function, under point **Switch**, select the setting **Off** and confirm.



## SYSTEM SETTINGS (Settings)

Select **Settings** and confirm.



This will take you to the submenu for accessing the system information (see table):

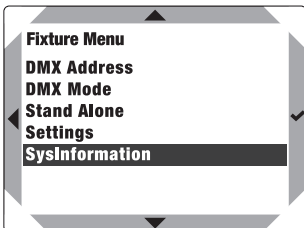
Settings				
DMX Fail	=	Operational status with DMX signal fault	Hold	Last command is retained
			User Colour 1	Activates User Color 1
			Fade out 10s	10 seconds fade to blackout
			Blackout	Activates blackout
			Full On	All LEDs 100% output
Dimmer Curve	=	Dimmer Curve	Linear	Light intensity increases linearly with DMX value
			Exponential	Light intensity can be finely adjusted at lower DMX values and broadly adjusted at higher DMX values
			Logarithmic	Light intensity can be broadly adjusted at lower DMX values and finely adjusted at higher DMX values
			S-curve	Light intensity can be finely adjusted at lower and higher DMX values and broadly adjusted at medium DMX values
Constant Brightness	=	Constant brightness when fading from cold white to warm white and vice versa	Off	Function disabled
			On	Function enabled
Dimmer Response	=	Dimmer response	LED	Light responds abruptly to changes in DMX value
			Halogen	Light behaves like a halogen spotlight with slight brightness changes
PWM Frequency	=	Configuration of PWM frequency	800 Hz / 1200 Hz / 2000 Hz / 3600 Hz / 12 kHz / 25 kHz	



Calibration	=	Colour calibration	Warm White	Cross-mode brightness setting of WW and CW with values from 0 – 255
			Cold White	
W-DMX	=	Switching wireless control on and off	Off	Wireless control disabled
			On	Wireless control activated
Status LED	=	Set status LED	Always On	LED Permanently on
			Off	LED off
			Off after 30s	LED is switched off after 30 seconds
Power	=	Operating mode	Constant	Constant brightness over long periods
			Maximum	Maximum brightness
Factory Reset	=	Reset to factory settings	Reset?	Resetting to factory settings: Perform reset with ENTER, cancel with MENU

### SYSTEM INFORMATION (SysInformation)

Starting from the main display, press the encoder to enter the main menu. Select the menu item **SysInformation** and confirm the selection.



This will take you to the submenu for accessing the system information (see table):

SysInformation				
Firmware	=	Displays device firmware	Main CPU V1.xx	
Temperature	=	Displays temperature of LED unit	LED TEMP	xx °C / xx °F
			Temperature Unit	Celsius (= display in degrees Celsius) Fahrenheit (= display in degrees Fahrenheit)
Operation Hours	=	Displays operating time	xx:xx h	Display of the unit operating time in hours and minutes

## INSTALLATION



**HAZARD:** Overhead mounting requires extensive experience, including the calculation of the load limit values of the installation material and regular safety inspection of all installation materials and spotlights. If you do not have these qualifications, do not attempt to perform an installation yourself. Refer instead to a qualified professional. There is a risk that devices that are incorrectly mounted and secured may come loose and fall down. This can cause serious injury or death.



**DANGER:** Only use the spotlight for horizontally mounted rails (horizontal ceiling mounting)! The spotlight is not suitable for inclined rails and wall mounting!



**WARNING:** Before mounting or dismantling, make sure that no electrical voltage is applied to the 3-phase rail (switch off fuses)!

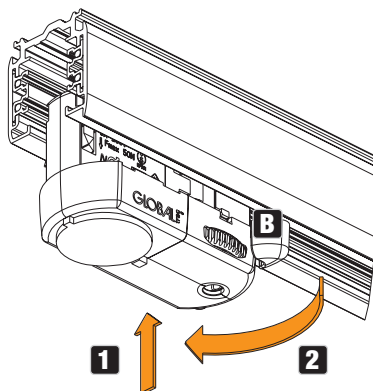
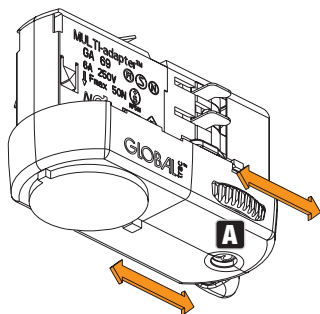


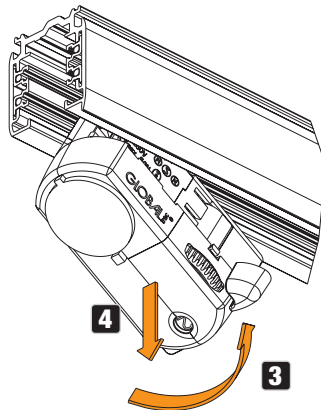
**ATTENTION:** The spotlight is not suitable for use with external dimmers!

Use the knurled wheel A to set to phase 1, 2 or 3 (see window below the knurled wheel; 0 = off). The adjustment can be made before or after mounting on a rail.

To mount on a rail, open the locking lever B of the rail adapter (lever in open position in the illustration) and then press the adapter into the rail until it lies flat on the rail edges (Fig. 1).

Secure the connection by closing the locking lever again (Fig. 2).



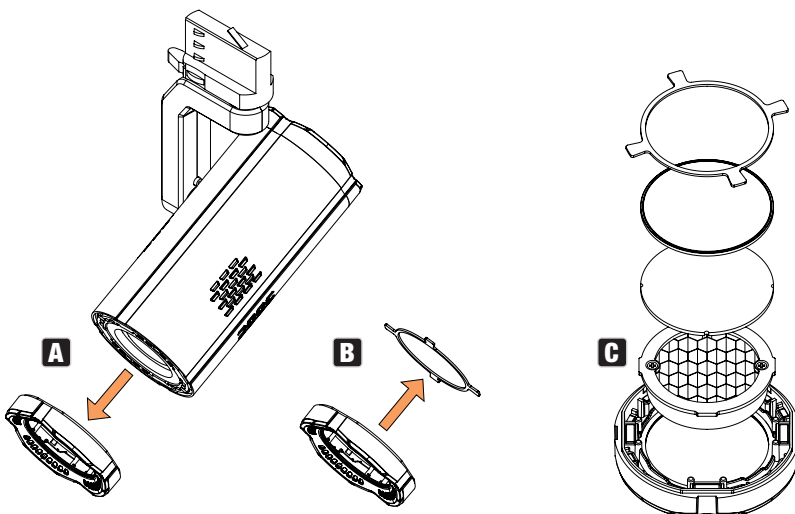


To dismantle the headlamp, open the locking lever (fig. 3) and pull the headlamp downwards out of the rail (fig. 4).

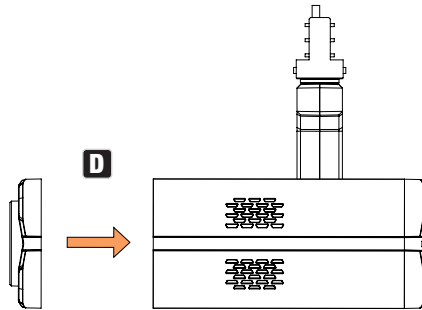
### FITTING THE DIRECTIONAL GRILLE, DIFFUSER AND FILTER

Up to three optionally available accessories can be mounted in combination in front of the headlamp's exit lens (see OPTIONAL ACCESSORIES).

Remove the end ring held by strong magnets from the headlamp (fig. A) and then remove the retaining ring, also held by magnets, from the end ring (fig. B). Now place the desired accessories (in example C, first the straightening grid, then a diffusing disc and then a CTO filter) in the end ring and then place the retaining ring on the accessories in the end ring. Which of the three possible positions the retaining ring is placed in depends on the total height of the inserted accessories.



Now place the end ring including accessories on the headlamp as shown in figure D.



## OPTIONAL ACCESSORIES

### Filter

CLG4CTB (CTB Filter)  
CLG4CTO (CTO filter)

### Diffusers

CLG46010LENS (60° x 10°)  
CLG410LENS (10°)  
CLG420LENS (20°)  
CLG430LENS (30°)  
CLG460LENS (60°)

### Straightening grids

CLG4HC (Honeycomb, black)  
CLG4HCWH (Honeycomb, white)

## CARE, MAINTENANCE AND REPAIR

In order to ensure the long-term, proper functioning of the device, it must be regularly cleaned and, if necessary, maintained. The maintenance requirement depends on the intensity of use and the environment in which it is used.

We generally recommend a visual inspection before each operation. Furthermore, we recommend carrying out all the applicable maintenance measures specified below once every 500 operating hours or, in the case of a lower intensity of use, at the latest after one year. Warranty claims may be limited in the event of defects resulting from inadequate maintenance.

### CARE (carried out by user)



**WARNING!** Before carrying out any care or maintenance, the power supply – and, if possible, all device connections – must be disconnected.



**PLEASE NOTE!** Improper care can lead to impairment of the device or even its destruction.

1. Housing surfaces must be cleaned with a clean, damp cloth. Make sure that no moisture can penetrate the device.

2. Air inlets and outlets must be regularly cleaned of dust and dirt. If compressed air is used, make sure that damage to the device is prevented (e.g. fans must be blocked in this case).
3. Lines and plug contacts must be cleaned regularly and dust and dirt must be removed.
4. In general, no cleaning agents or abrasive agents may be used, otherwise the surface finish may be damaged.
5. Devices must generally be stored dry and protected from dust and dirt.

### MAINTENANCE AND REPAIR (by qualified personnel only)



**HAZARD!** There are live components in the device. Even after disconnecting the mains connection, there may still be residual voltage in the device, for example, due to charged capacitors.



**PLEASE NOTE!** There are no user-serviceable assemblies in the device.

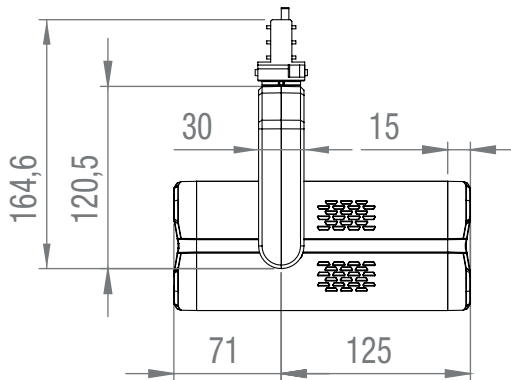


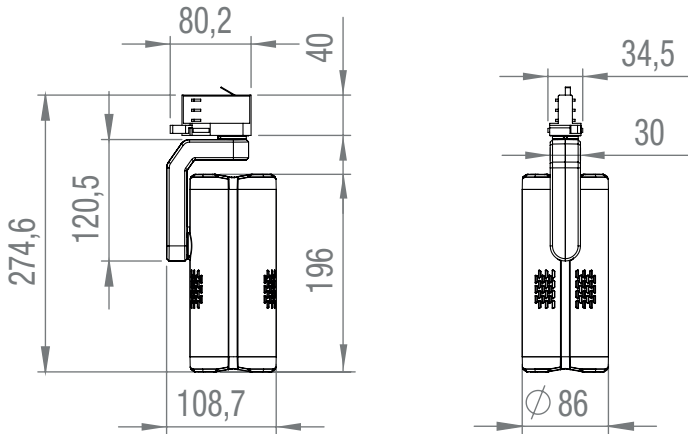
**PLEASE NOTE!** Maintenance and repair work may only be carried out by qualified specialist personnel authorised by the manufacturer. If in doubt, consult the manufacturer.



**PLEASE NOTE!** Improperly performed maintenance work may affect the warranty claim.

### DIMENSIONS (mm)



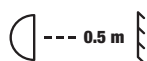


## TECHNICAL DATA

<b>Product number:</b>	<b>CLG4TW(WH)</b>
Product type:	LED spotlight
Type:	Installation spotlight
Colour spectrum:	2700K - 6500K
Number of LEDs:	1
LED type:	2in1 Chip
LED output:	40 W
LED PWM frequency:	800 Hz, 1200 Hz, 2000 Hz, 3600 Hz, 12 kHz, 25 kHz(adjustable)
Half chaff angle:	5
Tenth scattering angle:	10
DMX input:	1x RJ45
DMX output:	----
DMX functions:	Dimmer, Dimmer fine, Strobe, Warm white, Cool white, Colour temperature, Device settings
Control:	DMX512, W-DMX™, RDM
Standalone functions:	Static
Operating controls:	W-DMX Button + External Control Remote
Operating voltage:	100–240 V AC/50–60 Hz
Power consumption:	40 W
Inrush current:	45A / 0.3ms (first half-wave)
Luminous flux:	FULL ON: 560lm CW: 480lm WW: 320lm

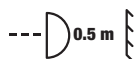
Colour reproduction index Ra:	>97
Compatible rails:	GLOBAL pro (formerly NOKIA) XTS, XTTS and XTSC 3-phase tracks
Power supply connection:	Rail adapter (selectable phase)
Ambient temperature (in operation):	0°C – 40°C
Relative air humidity:	<80%, non-condensing
Housing colour:	Black (CLG4TW) / White (CLG4TWWH)
Housing material:	Metal
Housing cooling:	Convection cooling
Minimum distance to illuminated surface:	0.5 m
Minimum distance to normally flammable materials:	0.5 m
Dimensions (Ø x L, without support arm):	86 x 196 mm
Weight:	1.3 kg
RDP (Material Group A):	0,20 @ 2700K; 0,50 @ 6500K
RDP (Material Group B):	0,61 @ 2700K; 0,65 @ 6500K
Accessories (optional):	Interchangeable lenses (10°, 20°, 30°, 60°, 60°x10°) Honeycomb, CTO filter, CTB filter

## MINIMUM DISTANCE TO ILLUMINATED SURFACE



This symbol with distance specification in metres (m) indicates the minimum distance between the light head and the illuminated surface. In this example, the distance is 0.5 m. Please refer to the technical data in this manual and the imprint on the unit casing for the value valid for this unit!

## MINIMUM DISTANCE TO NORMALLY FLAMMABLE MATERIALS



This symbol with distance specification in metres (m) indicates the minimum distance between the light head and normally flammable materials. In this example, the distance is 0.5 m. Please refer to the technical data in this manual for the value valid for this unit!

## DISPOSAL



### PACKAGING:

1. Packaging can be fed into the reusable material cycle using the usual disposal methods.
2. Please separate the packaging in accordance with the disposal laws and recycling regulations in your country.



### DEVICE:

1. This appliance is subject to the European Directive on Waste Electrical and Electronic Equipment as amended. WEEE Directive Waste Electrical and Electronic Equipment. Old appliances do not belong in household waste. The old device must be disposed of via an approved disposal company or a municipal disposal facility. Please observe the applicable regulations in your country!
2. Observe all disposal laws and regulations applicable in your country.
3. As a private customer, you can obtain information on environmentally-friendly disposal options from the seller of the product or the appropriate regional authorities.

## MANUFACTURER'S DECLARATIONS

### Manufacturer's warranty & limitation of liability

Adam Hall GmbH, Adam-Hall-Str. 1, D-61267 Neu-Anspach /

E-Mail [Info@adamhall.com](mailto:Info@adamhall.com) / +49 (0)6081 / 9419-0

Our current warranty conditions and limitation of liability can be found at:

[https://cdn-shop.adamhall.com/media/pdf/Manufacturers-Declarations-CAMEO\\_DE\\_EN\\_ES\\_FR.pdf](https://cdn-shop.adamhall.com/media/pdf/Manufacturers-Declarations-CAMEO_DE_EN_ES_FR.pdf)

In case of service, please contact your sales partner.

### CE conformity

Adam Hall GmbH hereby confirm that this product meets the following guidelines (where applicable):

Low-Voltage Directive (2014/35/EU)

EMC Directive (2014/30/EU)

RoHS (2011/65/EU)

RED (2014/53/EU)

### EC Declaration of Conformity

Declarations of conformity for products subject to the LVD, EMC, RoHS Directive can be requested from [info@adamhall.com](mailto:info@adamhall.com)

Declarations of conformity for products subject to RED can be downloaded from [www.adamhall.com/compliance/](http://www.adamhall.com/compliance/)

**Subject to misprints and errors, as well as technical or other modifications!**



**DMX CONTROL / DMX STEUERUNG / PILOTAGE DMX /  
CONTROL DMX / STEROWANIE DMX / CONTROLLO DMX**

1CH	2CH 16 Bit	2CH WW-CW	2 CH CCT	Function	Values			
1	1		1	Dimmer	000	-	255 0% to 100%	
Preselect color in Stand Alone Mode Tunable White CCT	2			Dimmer fine	000	-	255 0% to 100%	
		1		Warm White	000	-	255 0% to 100%	
		2		Cold White	000	-	255 0% to 100%	
				2		000	-	006 Warm white
						007	-	046 Warm white -> 2700K
						047	-	047 Bulb White (2700K)
						048	-	087 2700K -> 3200K
						088	-	088 Halogen White (3200K)
						089	-	128 3200K -> 4000K
						129	-	129 Neutral White (4000K)
						130	-	169 4000K -> 5600K
						170	-	170 Studio-White (5600K)
						171	-	210 5600K -> 6500K
		211	-	211 Daylight White (6500K)				
		212	-	251 6500K -> cold Daylight				
	252	-	255 Cold Daylight					

7CH 16Bit	Function	Values			Sub-Group
1	Dimmer	000	-	255 0% to 100%	Dimmer
2	Dimmer fine	000	-	255 0% to 100%	
3	Strobe functions	000	-	005 Strobe open	Multi-functional Strobe
		006	-	010 Strobe closed	
		011	-	022 Ramp up/down, slow -> fast	
		023	-	033 Ramp up/down random, slow->fast	
		034	-	045 Ramp up, slow -> fast	
		046	-	056 Ramp up random, slow -> fast	
		057	-	068 Ramp down, slow -> fast	
		069	-	079 Ramp down random, slow -> fast	
		080	-	102 Random Strobe effect, slow -> fast	
		103	-	127 Strobe Break effect, 5s.....1s (short burst with break)	

ENGLISH

DEUTSCH

FRANCAIS

ESPAÑOL

POLSKI

ITALIANO

DMX

ENGLISH	3	Strobe functions	128 - 250	Strobe slow -> fast <1Hz - 20Hz	Multi-functional Strobe
			251 - 255	Strobe open	
	4	Warm White	000 - 255	0% to 100%	Warm White
	5	Cold White	000 - 255	0% to 100%	Cold White
DEUTSCH	6	Color Temperature	000 - 005	No function	CCT
			006 - 006	Warm white	
			007 - 046	Warm white -> 2700K	
			047 - 047	Bulb White (2700K)	
			048 - 087	2700K -> 3200K	
			088 - 088	Halogen White (3200K)	
			089 - 128	3200K -> 4000K	
			129 - 129	Neutral White (4000K)	
			130 - 169	4000K -> 5600K	
			170 - 170	Studio-White (5600K)	
			171 - 210	5600K -> 6500K	
			211 - 211	Daylight White (6500K)	
			212 - 251	6500K -> cold Daylight	
252 - 255	Cold Daylight				
FRANCAIS	7	Device settings (please read remark 1*)	000 - 073	No function	Device settings
			074 - 075	Dimmer Response LED (hold 3s)	
			076 - 077	Dimmer Response Halogen (hold 3s)	
			078 - 085	No function	
			086 - 087	No function	
			088 - 089	No function	
			090 - 119	No function	
			120 - 121	PWM 1 (800 Hz) (hold 3s)	
			122 - 123	PWM 2 (1200 Hz)(hold 3s)	
			124 - 125	PWM 3 (2000 Hz)(hold 3s)	
			126 - 127	PWM 4 (3600 Hz)(hold 3s)	
			128 - 129	PWM 5 (12 KHz)(hold 3s)	
			130 - 131	PWM 6 (25 KHz)(hold 3s)	
			132 - 163	No function	
			164 - 165	Dimmer Curve Linear (hold 3s)	
			166 - 167	Dimmer Curve Exponential (hold 3s)	
			168 - 169	Dimmer Curve Logarithmic (hold 3s)	
170 - 171	Dimmer Curve S-Curve (hold 3s)				
172 - 173	CCT fade constant brightness on (hold 3s)				
174 - 175	CCT fade constant brightness off (hold 3s)				
176 - 235	No function				
ESPAÑOL	7	Device settings (please read remark 1*)	000 - 073	No function	Device settings
			074 - 075	Dimmer Response LED (hold 3s)	
			076 - 077	Dimmer Response Halogen (hold 3s)	
			078 - 085	No function	
			086 - 087	No function	
			088 - 089	No function	
			090 - 119	No function	
			120 - 121	PWM 1 (800 Hz) (hold 3s)	
			122 - 123	PWM 2 (1200 Hz)(hold 3s)	
			124 - 125	PWM 3 (2000 Hz)(hold 3s)	
			126 - 127	PWM 4 (3600 Hz)(hold 3s)	
			128 - 129	PWM 5 (12 KHz)(hold 3s)	
			130 - 131	PWM 6 (25 KHz)(hold 3s)	
132 - 163	No function				
164 - 165	Dimmer Curve Linear (hold 3s)				
166 - 167	Dimmer Curve Exponential (hold 3s)				
168 - 169	Dimmer Curve Logarithmic (hold 3s)				
170 - 171	Dimmer Curve S-Curve (hold 3s)				
172 - 173	CCT fade constant brightness on (hold 3s)				
174 - 175	CCT fade constant brightness off (hold 3s)				
176 - 235	No function				
POLSKI	7	Device settings (please read remark 1*)	000 - 073	No function	Device settings
			074 - 075	Dimmer Response LED (hold 3s)	
			076 - 077	Dimmer Response Halogen (hold 3s)	
			078 - 085	No function	
			086 - 087	No function	
			088 - 089	No function	
			090 - 119	No function	
			120 - 121	PWM 1 (800 Hz) (hold 3s)	
			122 - 123	PWM 2 (1200 Hz)(hold 3s)	
			124 - 125	PWM 3 (2000 Hz)(hold 3s)	
			126 - 127	PWM 4 (3600 Hz)(hold 3s)	
			128 - 129	PWM 5 (12 KHz)(hold 3s)	
			130 - 131	PWM 6 (25 KHz)(hold 3s)	
132 - 163	No function				
164 - 165	Dimmer Curve Linear (hold 3s)				
166 - 167	Dimmer Curve Exponential (hold 3s)				
168 - 169	Dimmer Curve Logarithmic (hold 3s)				
170 - 171	Dimmer Curve S-Curve (hold 3s)				
172 - 173	CCT fade constant brightness on (hold 3s)				
174 - 175	CCT fade constant brightness off (hold 3s)				
176 - 235	No function				
ITALIANO	7	Device settings (please read remark 1*)	000 - 073	No function	Device settings
			074 - 075	Dimmer Response LED (hold 3s)	
			076 - 077	Dimmer Response Halogen (hold 3s)	
			078 - 085	No function	
			086 - 087	No function	
			088 - 089	No function	
			090 - 119	No function	
			120 - 121	PWM 1 (800 Hz) (hold 3s)	
			122 - 123	PWM 2 (1200 Hz)(hold 3s)	
			124 - 125	PWM 3 (2000 Hz)(hold 3s)	
			126 - 127	PWM 4 (3600 Hz)(hold 3s)	
			128 - 129	PWM 5 (12 KHz)(hold 3s)	
			130 - 131	PWM 6 (25 KHz)(hold 3s)	
132 - 163	No function				
164 - 165	Dimmer Curve Linear (hold 3s)				
166 - 167	Dimmer Curve Exponential (hold 3s)				
168 - 169	Dimmer Curve Logarithmic (hold 3s)				
170 - 171	Dimmer Curve S-Curve (hold 3s)				
172 - 173	CCT fade constant brightness on (hold 3s)				
174 - 175	CCT fade constant brightness off (hold 3s)				
176 - 235	No function				
DMX	7	Device settings (please read remark 1*)	000 - 073	No function	Device settings
			074 - 075	Dimmer Response LED (hold 3s)	
			076 - 077	Dimmer Response Halogen (hold 3s)	
			078 - 085	No function	
			086 - 087	No function	
			088 - 089	No function	
			090 - 119	No function	
			120 - 121	PWM 1 (800 Hz) (hold 3s)	
			122 - 123	PWM 2 (1200 Hz)(hold 3s)	
			124 - 125	PWM 3 (2000 Hz)(hold 3s)	
			126 - 127	PWM 4 (3600 Hz)(hold 3s)	
			128 - 129	PWM 5 (12 KHz)(hold 3s)	
			130 - 131	PWM 6 (25 KHz)(hold 3s)	
132 - 163	No function				
164 - 165	Dimmer Curve Linear (hold 3s)				
166 - 167	Dimmer Curve Exponential (hold 3s)				
168 - 169	Dimmer Curve Logarithmic (hold 3s)				
170 - 171	Dimmer Curve S-Curve (hold 3s)				
172 - 173	CCT fade constant brightness on (hold 3s)				
174 - 175	CCT fade constant brightness off (hold 3s)				
176 - 235	No function				

7	Device settings	236	-	237	Reset All Functions (except DMX-Address and Mode) (hold 3s)	Device settings
		238	-	255	No function	

**EN:** (1\*) After the adjustments have been made, set the value to 000 to avoid disturbance by endless function call.

**DE:** (1\*) Nachdem die Einstellungen vorgenommen wurden, stellen Sie den Wert auf 000 ein, um Störungen durch endlosen Funktionsaufruf zu vermeiden.

**FR:** (1\*) Une fois les ajustements effectués, réglez la valeur sur 000 pour éviter les perturbations par appel de fonction sans fin.

**ES:** (1\*) Después de realizar los ajustes, establezca el valor en 000 para evitar perturbaciones mediante una llamada de función sin fin.

**PL:** (1\*) Po dokonaniu ustawień ustaw wartość na 000, aby uniknąć zakłóceń przez niekończące się wywołanie funkcji.

**IT:** (1\*) Dopo aver effettuato le regolazioni, impostare il valore su 000 per evitare disturbi causati da una chiamata a funzione infinita.

ENGLISH

DEUTSCH

FRANCAIS

ESPAÑOL

POLSKI

ITALIANO

DMX





**CAMEOLIGHT.COM**

**Adam Hall GmbH**

Adam-Hall-Str. 1 | 61267 Neu-Anspach | Germany

Phone: +49 6081 9419-0 | [adamhall.com](http://adamhall.com)

Adam Hall Ltd. | The Seedbed Business Centre | SS3 9QY Essex | United Kingdom



REV: 03