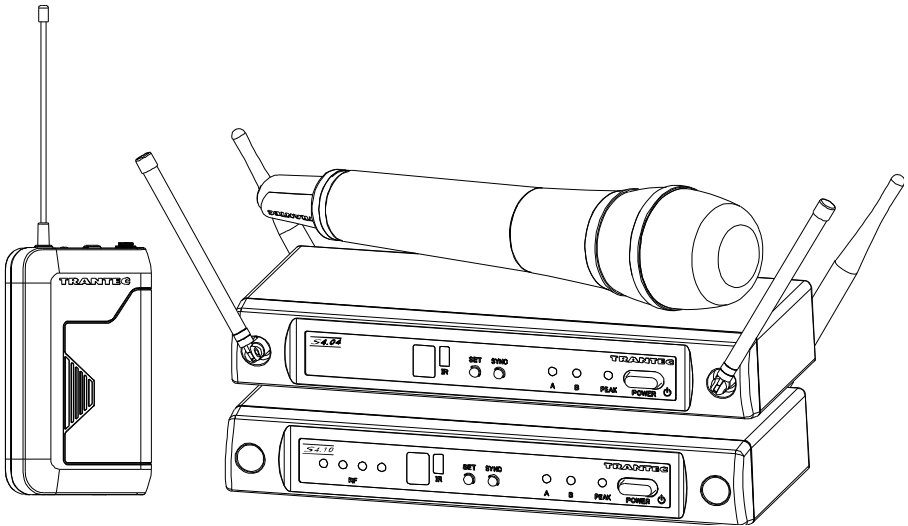


OPERATING INSTRUCTIONS

WIRELESS MICROPHONE SYSTEM

S4.04 / S4.10 series

**CONTENTS**

1. SAFETY PRECAUTIONS
2. GENERAL DESCRIPTION
3. FEATURES
4. HANDLING PRECAUTIONS
5. NOMENCLATURE AND FUNCTIONS
6. CHANNEL NUMBER SETTING by MANUAL
7. CHANNEL NUMBER SETTING by INFRARED SYNCHRONIZATION
8. CHANNEL SCAN
9. BATTERY ALARM
10. OPERATIONAL HINTS
11. TROUBLESHOOTING
12. SPECIFICATIONS

Thank you for purchasing TOA's TRANTEC S4 series Wireless Microphone system.
Please carefully follow the instructions in this manual to ensure long, trouble-free use of your equipment.

1. SAFETY PRECAUTIONS

- Be sure to read the instructions in this section carefully before use.
- Make sure to observe the instructions in this manual as the conventions of safety symbols and messages regarded as very important precautions are included.
- We also recommend you keep this instruction manual handy for future reference.

Safety Symbol and Message Conventions

Safety symbols and messages described below are used in this manual to prevent bodily injury and property damage which could result from mishandling. Before operating your product, read this manual first and understand the safety symbols and messages so you are thoroughly aware of the potential safety hazards.



WARNING

Indicates a potentially hazardous situation which, if mishandled, could result in death or serious personal injury.

When Installing the Receiver

- Do not expose the unit to rain or an environment where it may be splashed by water or other liquids, as doing so may result in fire or electric shock.
- Use the unit only with the voltage specified on the unit. Using a voltage higher than that which is specified may result in fire or electric shock.
- Do not cut, kink, otherwise damage nor modify the power supply cord. In addition, avoid using the power cord in close proximity to heaters, and never place heavy objects -- including the unit itself -- on the power cord, as doing so may result in fire or electric shock.
- Avoid installing or mounting the unit in unstable locations, such as on a rickety table or a slanted surface. Doing so may result in the unit falling down and causing personal injury and/or property damage.
- To prevent lightning strikes, install the unit at least five meters away from a lightning rod, and yet within the protective range (angle of 45°) of the lightning conductor. Lightning strikes may cause a fire, electric shock or personal injury.
- Since the unit is designed for in-door use, do not install it outdoors. If installed outdoors, the aging of parts causes the unit to fall off, resulting in personal injury. Also, when it gets wet with rain, there is a danger of electric shock.

When the Receiver is in Use

- Should the following irregularity be found during use, immediately switch off the power, disconnect the power supply plug from the AC outlet and contact your nearest TOA dealer. Make no further attempt to operate the unit in this condition as this may cause fire or electric shock.
 - If you detect smoke or a strange smell coming from the unit.
 - If water or any metallic object gets into the unit
 - If the unit falls, or the unit case breaks
 - If the power supply cord is damaged (exposure of the core, disconnection, etc.)
 - If it is malfunctioning (no tone sounds.)
- Do not place cups, bowls, or other containers of liquid or metallic objects on top of the unit. If they accidentally spill into the unit, this may cause a fire or electric shock.
- Do not touch the unit's antennas during thunder and lightning, as this may result in electric shock.

When the Microphone or the Transmitter is in Use

- To prevent the electromagnetic wave from badly influencing medical equipment, make sure to switch off the unit's power when placing it in close proximity to the medical equipment.



CAUTION

Indicates a potentially hazardous situation which, if mishandled, could result in moderate or minor personal injury, and/or property damage.

When Installing the Receiver

- Never plug in nor remove the power supply plug with wet hands, as doing so may cause electric shock.
- When unplugging the power supply cord, be sure to grasp the power supply plug; never pull on the cord itself. Operating the unit with a damaged power supply cord may cause a fire or electric shock.
- When moving the unit, be sure to remove its power supply cord from the wall outlet. Moving the unit with the power cord connected to the outlet may cause damage to the power cord, resulting in fire or electric shock. When removing the power cord, be sure to hold its plug to pull.
- The socket outlet shall be installed near the equipment and shall be easily accessible.
- Avoid installing the unit in humid or dusty locations, in locations exposed to the direct sunlight, near the heaters, or in locations generating sooty smoke or steam as doing otherwise may result in fire or electric shock.

When the Receiver is in Use

- Do not place heavy objects on the unit as this may cause it to fall or break which may result in personal injury and/or property damage. In addition, the object itself may fall off and cause injury and/or damage.
- Make sure that the volume control is set to minimum position before power is switched on. Loud noise produced at high volume when power is switched on can impair hearing.
- Never open the unit case as there are high temperature parts inside the unit, which may cause a burn if touched. Refer all servicing to your nearest TOA dealer.
- Use the dedicated AC adapter for the unit. Note that the use of other adapter may cause a fire.
- If dust accumulates on the power supply plug or in the wall AC outlet, a fire may result. Clean it periodically. In addition, insert the plug in the wall outlet securely.
- Switch off the power, and unplug the power supply plug from the AC outlet for safety purposes when cleaning or leaving the unit unused for 10 days or more. A fire or electric shock may result.
- Any modifications made to this device that are not approved by TOA Corporation may void the authority granted to the user to operate this equipment.
- Operation of this device is subject to the following two conditions: (1) this device may not cause interference, and (2) this device must accept any interference, including interference that may cause undesired operation of the device.

When the Microphone or the Transmitter is in Use

- When the unit is not in use for 10 days or more, be sure to take the battery out of the unit because battery leakage may cause personal injury or contamination of environment.
- Make sure to observe the following handling precautions so that a fire or personal injury does not result from leakage or explosion of the battery.
 - Do not short, disassemble heat nor put the battery into a fire.
 - Do not solder a battery directly.
 - Be sure to use the specified type of battery.
 - Note correct polarity (positive and negative orientation) when inserting a battery in the unit.
 - Avoid locations exposed to the direct sunlight, high temperature and high humidity when storing batteries.
- When the battery becomes inflated or leaks, discontinue use and replace with new one immediately.

CAUTION TO USER: Changes or modifications not expressly approved by the party responsible for compliance could void the user's authority to operate the equipment.

IMPORTANT NOTE: To comply with the FCC RF exposure compliance requirements, no change to the antenna or the device is permitted. Any change to the antenna or the device could result in the device exceeding the RF exposure requirements and void user's authority to operate the device.

IMPORTANT NOTE:

This device complies with Industry Canada's licence-exempt RSSs. Operation is subject to the following two conditions:

(1) This device may not cause interference; and (2) this device must accept any interference, including interference that may cause undesired operation of the device.

Le présent appareil est conforme aux CNR d'Industrie Canada applicables aux appareils radio exempts de licence. L'exploitation est autorisée aux deux conditions suivantes : (1) l'appareil ne doit pas produire de brouillage, et (2) l'utilisateur de l'appareil doit accepter tout brouillage radioélectrique subi, même si le brouillage est susceptible d'en compromettre le fonctionnement.

2. GENERAL DESCRIPTION

The TOA's TRANTEC S4 series Wireless Microphone system is designed for use on the UHF frequency band, and suitable for vocal or speech reinforcement applications. It features a compander circuit which minimizes the influence of ambient noise.

S4.04 : 4 User selectable channels that can be operated simultaneously.

S4.10 : Up to 16 User selectable channels that can be operated simultaneously. (depending on region)

S4 series HDX Wireless handheld Microphone is a vocal microphone, employing a fine, powerful dynamic microphone unit.

S4 series BTX Wireless belt-pack transmitter can use TRANTEC series lavalier microphones and headset microphones.

S4 series RX Wireless receiver is a diversity receiver to minimize drop-outs.

3. FEATURES

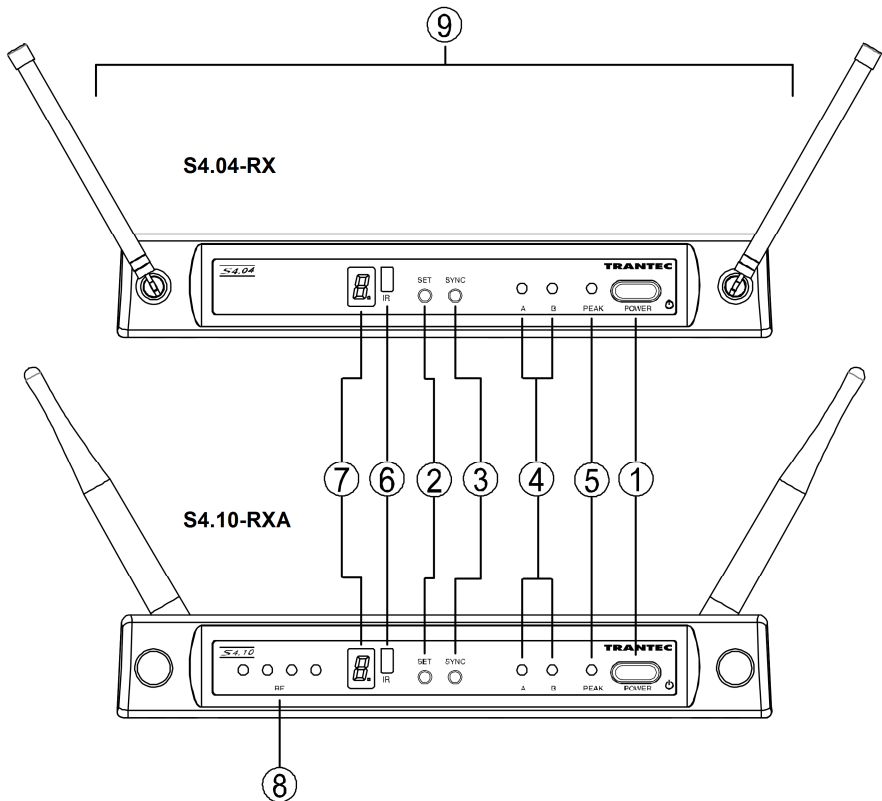
- An optimized PLL-synthesizer minimizes the oscillation frequency drift resulting from the ambient temperature or voltage fluctuation.
- Power/Battery lamps indicate battery consumption to prevent the unit from malfunctioning when the battery level remarkably decreases.
- Up to 10 hours of continuous use with single AA alkaline battery.
- S4 series HDX employs a built-in antenna.
- The state of battery consumption can be displayed on S4 series RX receiver's indicator.
- Quick channel scanning and auto channel set-up.
- Infra-red auto channel set-up.
- Compact size and high reliability.

4. HANDLING PRECAUTIONS

- Do not expose the unit to rain or an environment where it may be splashed by water or other liquids, as doing so may result in unit failure.
- Never open nor remove the unit case to modify the unit. Refer all servicing to your nearest TOA dealer.
- Take care not to drop the unit onto the floor nor bump it against a hard object as the unit could fail.
- Do not place the unit in locations of high temperature (e.g. in an ill-ventilated car in summer) or high humidity as the unit could fail.
- Do not use the unit in locations where it is exposed to seawater.
- Avoid using a mobile telephone near the wireless microphone in use. Noise could be picked up.
- When installing, keep the unit as far away as possible from fluorescent lamps, digital equipment, personal computers, and other equipment that generate high frequency noise.
- To clean, use a dry cloth. When the unit gets very dirty, wipe lightly with a cloth dampened in a dilute neutral cleanser, then wipe with a dry cloth. Never use benzene, thinner, or chemically-treated cleaning towel.
- When using two or more wireless microphones, keep them at least 50 cm away from each other to avoid malfunctions or noise.
- Keep the wireless microphone at least 3 m away from the receiving antenna. Using the microphone in close proximity to the antenna could result in malfunctions or noise.

5. NOMENCLATURE AND FUNCTIONS

Receiver : S4.04-RX & S4.10-RXA
[Front]



1. Power switch

Press this switch to turn the power on, and press it again to turn the power off.

2. Channel setting key [SET]

Used to select the receiving channel (frequency).
(The receiver frequency must be identical to that of the microphone.)

3. Infrared (IR) sync key [SYNC]

Press this switch to transfer the frequency to the transmitter.

4. Reception lamps [A, B]

Either lamp A (left) or B (right) lights yellow when the receiver matches a radio signal from the transmitter.

5. AF peak lamp [PEAK]

Lights red when the receiver output level reaches the point about 3 dB below the clipping level.

6. Infrared (IR) port [IR]

Transmit the infrared signal, when pressing SYNC key,

7. Numerical LED display

Indicates the current channel number in normal state.

In setting mode, the indicated channel number flashes until registered.

8. RF signal level meter (S4.10-RXA only)

Indicates the RF signal level.

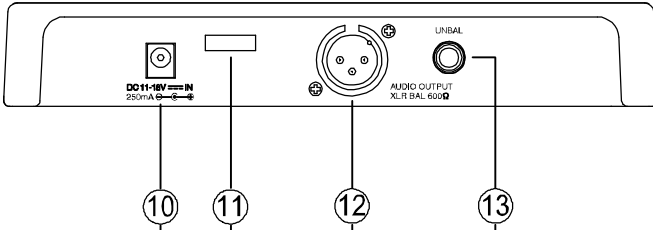
9. Antennas (S4.04-RX only)

Raise both antennas at 45° outwards from a vertical line.

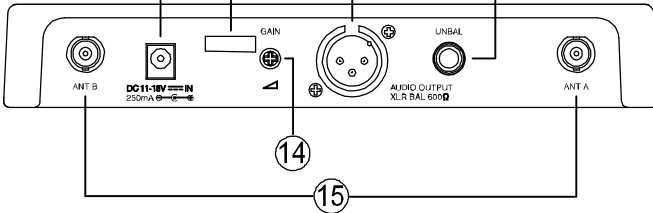
When carrying the unit, be sure to fold down both antennas to prevent them from break.

[Rear]

S4.04-RX



S4.10-RXA

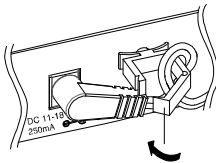


10. DC input jack

Connect the power cable of the supplied AC adapter to this jack.

11. Cable hanger

Hook the power cable onto this part.



12. AF output

Balanced XLR jack, male type (Pin #2: Hot).

S4.04-RX : -20 dBu (maximum)

S4.10-RXA : 16 dBu (maximum)

13. AF output

Unbalanced phone jack

S4.04-RX and S4.10-RXA : 10 dBu (maximum)

14. Volume control (S4.10-RXA only)

Adjust the output level.

15. Antenna input A, B (S4.10-RXA only)

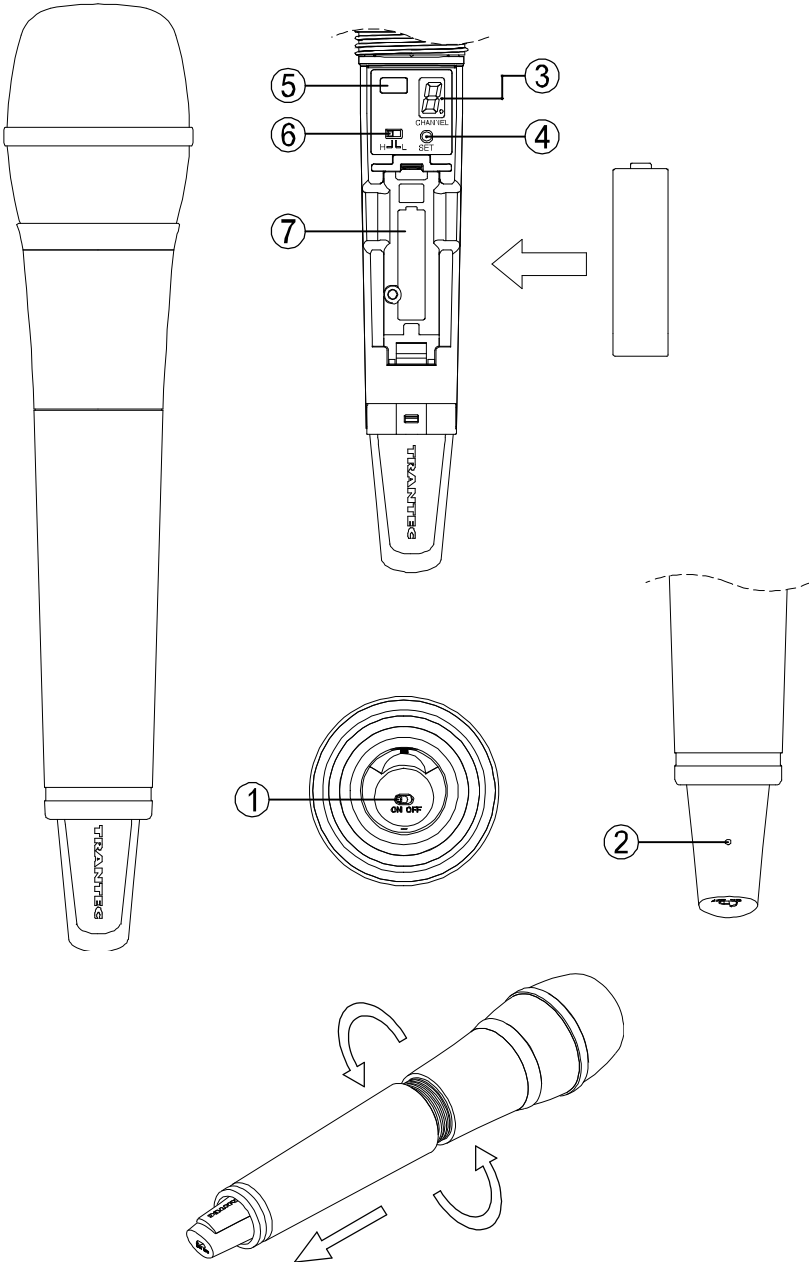
BNC connectors for antennas

Phantom powering for the external antenna (optional)

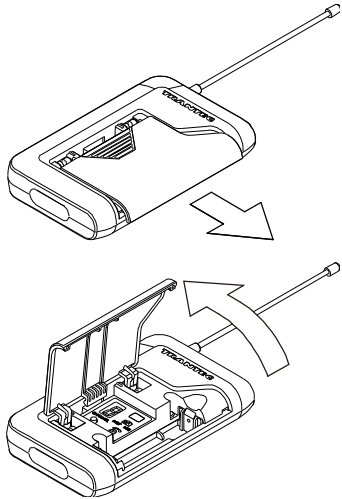
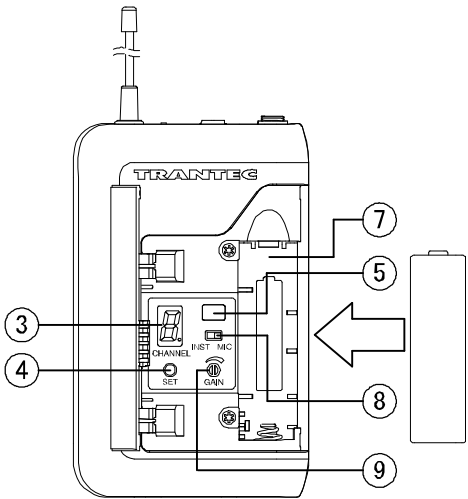
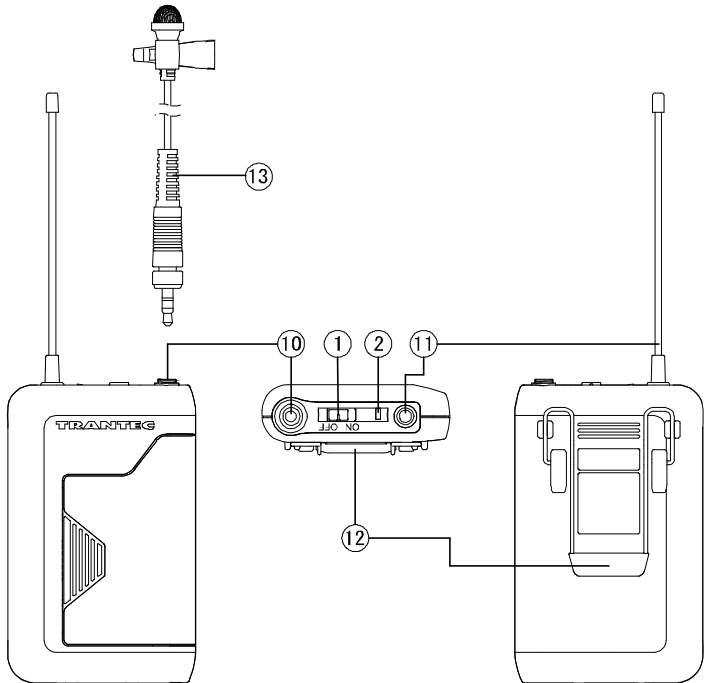
For the wireless system covering a relatively narrow area, use the supplied two rod antennas, which should be set up at 45° outwards from a vertical line.

Tip S4.10-RXA receiver gain is continuously adjustable. Should the receiver signal be too high, it will distort your mixer / amplifier. If the signal is too low, the result will be an increase in general background noise. Monitor the AF peak LED on the receiver, and adjust the volume control to achieve the best signal quality.

Handheld microphone : S4.04-HDX & S4.10-HDX



Belt-pack transmitter : S4.04-BTX & S4.10-BTX



1. Power switch

Slide this switch towards "ON" to turn the power on, and slide it again towards "OFF" to turn the power off.

2. Power / Battery lamp

A green LED lights as long as the battery capacity is sufficient. When the battery capacity becomes low, the green LED starts to flash.

3. Numerical LED display

Indicates the current channel number in normal state.

In setting mode, the indicated channel number flashes until registered.

4. Channel setting key [SET]

Used to select the channel (frequency). (The frequency must be identical to that of the receiver.)

5. Infrared (IR) port

Receive the infrared signal from the receiver.

6. PAD switch (S4.10-HDX only)

This switch is used for microphone sensitivity adjustment. The sensitivity can be decreased to "H" (0dB), "L" (-10dB).

Note Never position the transmitter antenna directly against the body or hand. This will have the effect of reducing the operating range considerably.

7. Battery compartment

Insert an AA battery according to (+) and (-) indications on the battery compartment.

Note: Turn off the power switch.

HDX: Hold the microphone body and rotate the microphone grip counterclockwise to remove it.

BTX: Slide the battery cover in the direction indicated by the arrow while pressing on the cover with a thumb and hinge upwards.

8. MIC / Instrument switch (BTX only)

Slide this switch towards "MIC" to connect the microphone, and slide it towards "INST" to connect the instrument.

9. Audio level control (BTX only)

Adjust the audio level control using the supplied screwdriver. The transmitter sensitivity increases as the control is rotated clockwise, and decreases as rotated counterclockwise.

10. Input connector (BTX only)

3.5 mm jack socket, Connect the microphone or the instrument cable.

11. Antenna (BTX only)

12. Clip (BTX only)

Clip the transmitter to a belt through the belt clip.

13. Microphone (BTX only)

Note: Route the microphone cable so as to avoid undue strain or friction. Try and keep the microphone cable away from the antenna.

6. CHANNEL NUMBER SETTING by MANUAL

Step 1. Press the SET key for about 3 seconds until the displayed channel number blinks.

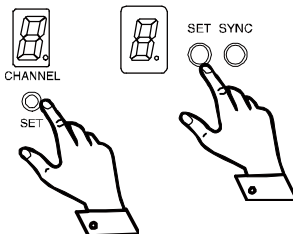
Step 2. Select the desired channel number with the SET key, and once the desired number is reached, release the SET key. After about 5 seconds, the receiver automatically sets channel and the blinking number turns to steady light.

Tip Continuous depression of the SET key permits the display to cycle through the channel numbers.

On the receiver side, when the dot LED by the channel number LED is blinking at selected channel number, this means that the channel is already occupied.

Note Make sure that the transmitter is identical to the receiver in the channel number. Should the microphone's setting differ from that of the receiver, the receiver will not receive the radio signal from the transmitter.

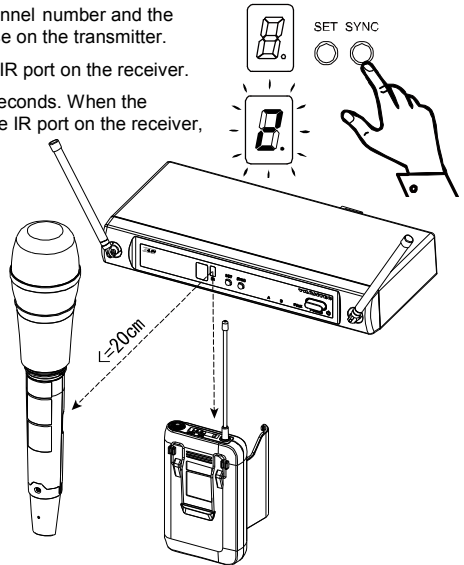
On the transmitter side, the power switch turns on, the channel number display turns on the light for about 20 seconds, and then this display turns off the light. When SET key presses in this condition, this display turns on the light for about 20 seconds.



7. CHANNEL NUMBER SETTING by INFRARED SYNCHRONIZATION

- Step 1.** Confirm that the receiver is set to the correct channel number and the transmitter is turned on, then open the battery case on the transmitter.
- Step 2.** Bring the IR port in the transmitter within 20cm of IR port on the receiver.
- Step 3.** Press the SYNC key on the receiver for about 3 seconds. When the channel data has transmitted successfully from the IR port on the receiver, the displayed channel number flashes.
- Step 4.** When the channel number is synchronized successfully between the receiver and the transmitter, the transmitter blinks for about 3 seconds,

Note On the transmitter side, even if the channel number display light turns off, the display turns on again when IR synchronization has succeeded.



8. CHANNEL SCAN

- Step 1.** Press the SET key and the SYNC key at the same time for about 3 seconds. Channel scan begins, and an idle channel number is indicated blinking on the channel number display.
- Step 2.** After channel scan finishes, the idle channels are displayed in turn.
- Step 3.** Press the SET key and the SYNC key at the same time, the receiver sets the idle channel automatically.

Note Before starting the channel scan, turn off all transmitters and any other equipment that could cause interference during the setting or it may be detected during the channel scan.

If there are no idle channels, the channel number is displayed blinking as a "-". And then the channel before starting the channel scan is set again.

Multiple System Setup

Set up each system one at a time, confirm each system is assigned a different channel, and leave the transmitter powered on. Otherwise, the channel scan from the other receiver will not detect as the occupied channel.

9. BATTERY ALARM INDICATON

- When the battery capacity in the corresponding transmitter becomes low, the dot LED of the numerical LED on the receiver and the transmitter blinks. Replace the transmitter battery.



10. OPERATIONAL HINTS

- The transmitter's service distance is 3 – 100 m. When the transmitter user moves in a facility, signal dropouts (momentary losses of signal reception) may be encountered. These dropouts are caused by the building's architectural design or materials which block the travel of or reflect the radio signal. If this occurs, the user needs to change locations for better signal reception.
- Confirm the good line of sight between the transmitter and the receiver. Do not place large obstructions (e.g. Concrete walls or large metal obstructions) between the transmitter and the receiver. In addition keep the receiver away from metallic beams and obstructions as these can adversely affect the antenna pick-up pattern and cause interference.
- The proper operation of your wireless system may be interfered with by other systems operating on the same frequency. In such cases, change the operating frequency of your system.
- Hold the microphone within 20cm from the sound source. Move the microphone closer for a warmer sound. And do not cover the grille with hand.
- Keep your mouth 15 – 20 cm away from the lavalier microphone for the best possible sound reproduction. In case of the Omni-directional response, it will pick up sounds from all directions. It is better that the microphone is placed closer to the sound source. Take care not to bring your mouth too close to the microphone (within 5 cm) as this impairs speech clarity if you speak loudly.
- In case of the headset microphone, by adjusting the gooseneck, locate the microphone with the supplied windscreen in front of your mouth, and position it 3 – 5 cm away from your mouth for the best sound reproduction. When the microphone is too close to your mouth or you speak too loud, speech clarity will be impaired, making it hard for the audience to hear announcements.

11. TROUBLESHOOTING

Issue	Condition	Solution
No sound	Receiver Reception lamps [either A or B] or RF signal level meter lights.	Confirm the connections of all sound system or gain Confirm the receiver volume control.
Sound distorted	AF peak lamp [PEAK] indicates.	Confirm the transmitter gain or PAD. Confirm the receiver volume control. Confirm the receiver output level match to the input level of the mixer / amplifier.
Poor range or sound dropouts	Receiver Reception lamps [A and B] are flicking or RF signal level meter turn light off.	The system must be set up within recommended range. The transmitter must be used in line of sight from the receiver. Check the channel scan, confirm nearby source of interference, and change the receiver and the transmitter to a different channel. Confirm the battery indication, and replace the transmitter battery.

12. SPECIFICATIONS

System

Modulation	Wideband FM
Frequency Range	UHF band (506-538, 538-576, 576-603, 603-638, 638-671, 671-701, 720-758, 785-815, 819-832, 836-867, 925-937.5 MHz)
Tunable Frequencies	25 kHz Steps
Switchable Channels	S4.04 : 4 channels S4.10 : up to 16 channels (depending on region)
Operated channels simultaneously	S4.04 : 4 channels S4.10 : up to 16 channels (depending on region)
Pilot tone	32.768kHz
Total Harmonic Distortion	< 1 % @1kHz
Function	IR sync, Channel scan, Battery life information
Dynamic Range	>96 dB(A)
Operating Range	approx. 100 m
Operating Temperature Range	-10°C to +50° C

Note: 506–603 MHz and 614–698 MHz for USA/Canada, 614–698 MHz for Brazil, 865–867 MHz for India, 925-937.5 MHz for Korea

TRANSMITTER

	S4.04-HDX, S4.10-HDX	S4.04-BTX, S4.10-BTX
Microphone unit	Dynamic with cardioid pattern	TRANTEC series lavalier and head set microphone
RF Carrier Power	10 mW	10 mW
Audio Frequency Response	80 - 15000 Hz	50 - 15000 Hz
Audio input Level	140 dB SPL (maximum)	-6dBV (maximum), mic gain 0dB
Battery Life	approx. 10 hours	approx. 10 hours
Power Supply	1 AA size alkaline battery, 1.5 V	1 AA size alkaline battery, 1.5 V
Finish	Resin, coating	Resin, coating
Dimensions*	250 x ϕ 50 mm	62 (W) x 100 (H) x 25 (D) mm (with clip)
Weight*	245 g (with battery)	85 g (with battery)

RECEIVER S4.04RX, S4.10-RXA

Diversity Reception	Antenna Diversity
Sensitivity	10uV at 45dBA S/N
Squelch (SQ)	Tone SQ, Carrier SQ, Noise SQ
Audio Frequency Response	50 - 15000 Hz
Audio Output Level (Maximum)	S4.04-RX Balanced (XLR socket) : -20 dBu Un-balanced (1/4" jack socket) : 10 dBu S4.10-RXA Balanced (XLR socket) : 16 dBu Un-balanced (1/4" jack socket) : 10 dBu
Power Supply	11 - 18 VDC 300 mA
Dimensions*	215 (W) x 39 (H) x 102 (D) mm (excluding antenna and BNC)
Weight*	480g

0dBu=0.775V

Note: The design and specifications are subject to change without notice for improvement.

• Accessory

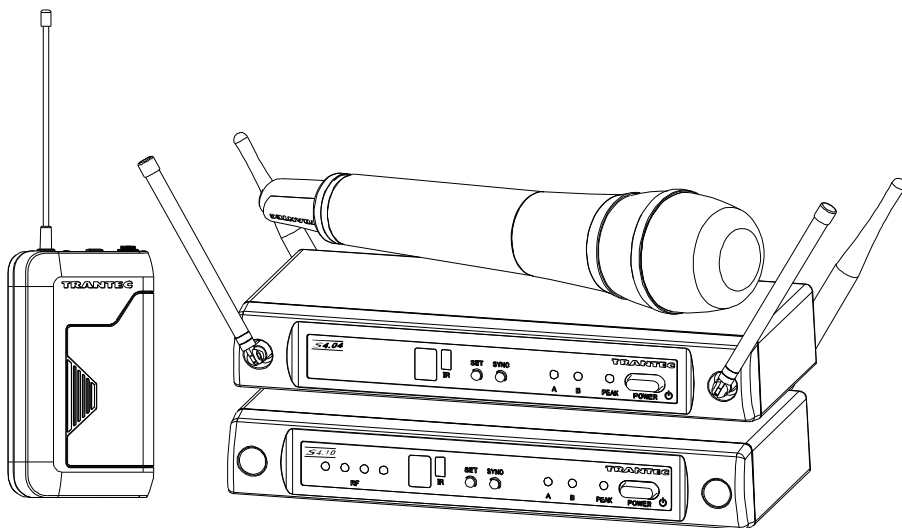
AC adapter

Microphone holder (For handheld microphone)

Screwdriver (For setting of Belt-pack transmitter)

DRAHTLOS-MIKROFONANLAGE

S4.04 / S4.10-Serie



INHALTSVERZEICHNIS

1. SICHERHEITSHINWEISE
2. ALLGEMEINE BESCHREIBUNG
3. LEISTUNGSMERKMALE
4. VORSICHTSMASSNAHMEN BEI DER HANDHABUNG
5. BEDIENELEMENTE UND FUNKTIONEN
6. MANUELLE KANALWAHL
7. KANALWAHL mit SYNCHRONISATION ÜBER INFRAROT
8. SENDERSUCHLAUF
9. BATTERIEALARM
10. HINWEISE ZUM BETRIEB
11. STÖRUNGSSUCHE
12. TECHNISCHE DATEN

Wir danken Ihnen für den Kauf dieser Drahtlos-Mikrofonanlage der S4-Serie von TOA's TRANTEC. Beachten Sie bitte stets die Anweisungen in dieser Bedienungsanleitung, um einen langen und störungsfreien Betrieb des Geräts zu gewährleisten.

1. SICHERHEITSHINWEISE

- Lesen Sie die Sicherheits- und Warnhinweise in diesem Abschnitt vor Gebrauch unbedingt durch.
- Beachten Sie die Informationen in dieser Anleitung, da sie sehr wichtige Hinweise sowie Erläuterungen zu den Sicherheitssymbolen und Signalwörtern enthalten.
- Wir empfehlen Ihnen außerdem, diese Bedienungsanleitung zum späteren Nachschlagen griffbereit aufzubewahren.

Sicherheitssymbole und Signalwörter

In dieser Anleitung machen die nachstehenden Sicherheitssymbole und Signalwörter auf Gefahrenpunkte aufmerksam, um Verletzungen und Sachschäden zu vermeiden, die durch unsachgemäße Handhabung entstehen können. Bevor Sie das Produkt in Betrieb nehmen, lesen Sie daher zunächst diese Anleitung und machen sich mit den Sicherheitssymbolen und Signalwörtern vertraut, um potenzielle Sicherheitsrisiken erkennen zu können.



WARNUNG

Zeigt eine potenziell gefährliche Situation auf. Die Nichtbeachtung der Warnhinweise kann zu ernsthaften Verletzungen, möglicherweise auch mit tödlichem Ausgang, führen.

Beim Installieren des Empfängers

- Das Gerät darf niemals direktem Regen ausgesetzt werden. Aufstellorte, an denen das Gerät mit Wasser oder anderen Flüssigkeiten bespritzt werden kann, sind zu vermeiden, da dies einen Brand oder Stromschlag zur Folge haben kann.
- Das Gerät darf nur mit der auf diesem angegebene Netzspannung betrieben werden. Eine Inbetriebnahme mit einer höheren Spannung als der angegebenen kann zu einem Brand oder Stromschlag führen.
- Niemals das Netzkabel schneiden, knicken, anderweitig beschädigen oder abändern. Verlegen Sie das Netzkabel außerdem nicht in unmittelbarer Nähe von Heizungen. Niemals schwere Gegenstände – einschließlich des Geräts selber – auf das Netzkabel legen, um einen möglichen Brand oder Stromschlag zu vermeiden.
- Das Gerät nicht an unstablen Orten, z.B. auf einem wackligen Tisch oder auf einer schrägen Fläche, installieren oder montieren. Das Gerät kann herunterfallen und Verletzungen und/oder Sachschäden verursachen.
- Um Blitzeinschläge zu vermeiden, installieren Sie das Gerät in einem Mindestabstand von fünf Metern zum nächstgelegenen Blitzableiter und dennoch innerhalb der Schutzzone (im Winkel von 45°) des Blitzableiters. Ein Blitzeinschlag kann einen Brand, Stromschlag oder Verletzungen zur Folge haben.
- Das Gerät ist nur für eine Inbetriebnahme drinnen vorgesehen. Nehmen Sie des daher niemals im Freien in Betrieb. Bei einer Installation im Freien kann das Gerät wegen Alterung der Bauteile herunterfallen, was möglicherweise zu Verletzungen führen kann. Außerdem besteht bei Regen die Gefahr eines Stromschlages.

Beim Betrieb des Empfängers

- Treten während des Betriebes die folgenden Unregelmäßigkeiten auf, schalten Sie das Gerät unverzüglich aus, trennen das Netzkabel von der WS-Steckdose ab und kontaktieren den TOA-Händler in Ihrer Nähe. Versuchen Sie unter keinen Umständen, das Gerät unter diesen Bedingungen weiter zu betreiben, da dies zu einem Brand oder Stromschlag führen kann.
 - Wenn vom Gerät Rauch oder Brandgeruch ausgeht.
 - Wenn Wasser oder ein metallischer Gegenstand in das Gerät eingedrungen ist
 - Wenn das Gerät heruntergefallen ist oder dessen Gehäuse beschädigt ist
 - Wenn das Netzkabel beschädigt ist (freiliegender Kern, Trennung usw.)
 - Bei Fehlfunktionen (ohne akustisches Signal)
- Keine Tassen, Schüsseln oder andere Behälter mit einer Flüssigkeit oder metallischen Gegenständen auf das Gerät stellen. Bei einem Umkippen und ungewollten Eindringen in das Gerät besteht das Risiko eines Brandes oder Stromschlages.
- Die Antennen während einem Donnerschlag oder bei Blitz nicht berühren, um Stromschläge zu vermeiden.

Beim Betrieb des Mikrofons oder Senders

- Um eine gegenseitige Beeinflussung mit medizintechnischen Geräten durch elektromagnetische Wellen zu vermeiden, stellen Sie sicher, dass Sie die Stromzufuhr zum Gerät abschalten, wenn Sie dieses in unmittelbarer Nähe zu einem solchen medizintechnischen Gerät hinstellen.



ACHTUNG

Zeigt eine potenziell gefährliche Situation auf. Die Nichtbeachtung der Warnhinweise kann zu mittelschweren oder leichten Verletzungen und/oder Sachschäden führen.

Beim Installieren des Empfängers

- Den Stecker des Netzkabels niemals mit nassen Händen einstecken oder herausziehen, um einen Stromschlag zu vermeiden.
- Nehmen Sie den Stecker des Netzkabels in die Hand, wenn Sie ihn von der Steckdose ausziehen wollen. Niemals am Kabel selber ziehen. Eine Inbetriebnahme des Geräts mit beschädigtem Netzkabel kann zu einem Brand oder Stromschlag führen.
- Achten Sie vor dem Bewegen des Geräts darauf, dass dessen Netzstecker von der Steckdose herausgezogen ist. Ein Bewegen des Geräts, wenn dessen Netzkabel an der Steckdose angeschlossen ist, kann das Netzkabel beschädigen, was zu einem Brand oder Stromschlag führen kann. Beim Herausziehen des Netzkabels nehmen Sie dessen Netzstecker jeweils in die Hand.
- Die Steckdose sollte gut zugänglich in der Nähe des Geräts installiert sein.
- Das Gerät nicht in feuchten oder staubigen Räumen installieren, nicht direktem Sonnenlicht aussetzen, in unmittelbarer Umgebung einer Heizung oder an Orten aufstellen, an denen rußiger Rauch oder Dampf erzeugt wird, da dies einen Brand oder Stromschlag zur Folge haben kann.

Beim Gebrauch des Empfängers

- Keine schweren Gegenstände auf das Gerät legen, da dadurch das Gerät herunterfallen oder beschädigt werden und dies Verletzungen und/oder Sachschäden verursachen kann. Außerdem kann dadurch der Gegenstand selbst herunterfallen und Verletzungen und/oder Sachschäden verursachen.
- Stellen Sie vor dem Einschalten des Geräts sicher, dass der Lautstärkeregler auf das Minimum eingestellt ist. Laute Geräusche mit hoher Lautstärke beim Einschalten des Geräts können das Gehör schädigen.
- Das Gehäuse des Geräts niemals öffnen. Im Innern befinden sich Bauteile unter hoher Temperatur, die bei einem Berühren Verbrennungen verursachen können. Lassen Sie sämtliche Servicearbeiten bei Ihrem TOA-Händler in Ihrer Nähe durchführen.
- Verwenden Sie für das Gerät den mitgelieferten WS-Netzadapter. Keine anderweitigen Adapter verwenden, da dies zu einem Brand führen kann.
- Angesammelter Staub auf dem Netzstecker oder in der WS-Steckdose kann einen Brand verursachen. Wischen Sie diese daher gelegentlich sauber. Stecken Sie den Stecker jeweils fest und sicher in die Steckdose ein.
- Wenn das Gerät voraussichtlich 10 Tage oder länger nicht gebraucht oder bevor dieses gereinigt wird, schalten Sie aus Sicherheitsgründen die Stromzufuhr aus und ziehen den Netzstecker aus der WS-Steckdose, um einen Brand oder Stromschlag zu vermeiden.
- Es wird darauf verwiesen, dass jegliche Abänderungen oder Modifikationen, die von der TOA Corporation nicht ausdrücklich genehmigt wurden, einen Entzug der Betriebserlaubnis für dieses Gerät zur Folge haben.
- Der Betrieb muss die folgenden beiden Bedingungen erfüllen: (1) Dieses Gerät darf keine schädlichen Störungen im Funkwellenempfang verursachen, und (2) dieses Gerät akzeptiert sämtliche empfangene Störungen, einschließlich derer, die zu einem unerwünschten Betrieb führen können.

Beim Gebrauch des Mikrofons oder Senders

- Wenn das Gerät voraussichtlich 10 Tage oder länger nicht gebraucht wird, entfernen Sie unbedingt die Batterie aus dem Gerät, da diese anderenfalls auslaufen, eine Verletzung oder Verschmutzung verursachen könnte.
- Achten Sie darauf, dass bei der Handhabung die nachstehenden Vorsichtsmaßnahmen eingehalten werden, um einen Brand oder eine Verletzung durch Auslaufen oder Bersten der Batterie zu vermeiden.
 - Die Batterie nicht kurzschließen, zerlegen, erhitzen oder verbrennen.
 - Batterie nicht direkt anlöten.
 - Unbedingt eine Batterie des vorgeschriebenen Typs verwenden
 - Beim Einlegen der Batterie in das Gerät auf korrekte Ausrichtung der Batteriepole (Plus und Minus) achten.
 - Batterien nicht an Orten aufbewahren, wo sie direktem Sonnenlicht, hohen Temperaturen und hoher Luftfeuchtigkeit ausgesetzt sind.
- Sollte die Batterie anschwellen oder auslaufen, sehen Sie sofort von einer weiteren Nutzung ab und ersetzen sie durch eine neue.

WARNHINWEIS: Der Versuch, Änderungen oder Modifikationen am Gerät vorzunehmen, die nicht von der zuständigen Stelle ausdrücklich genehmigt wurden, kann zu Schäden am Gerät führen und die Garantie erlischt.

2. ALLGEMEINE BESCHREIBUNG

TOA's TRANTEC Drahtlos-Mikrofonanlage der S4-Serie ist für den Betrieb mit dem UHF-Frequenzband konzipiert und eignet sich für die Anwendungen zur Gesangs- oder Sprachbeschallung. Die Anlage verfügt über eine Kompanderschaltung, mit der Einflüsse durch Geräusche aus der Umgebung minimiert werden.

S4.04: 4 vom Anwender wählbare Kanäle, die gleichzeitig betrieben werden können.

S4.10: Bis 16 vom Anwender wählbare Kanäle, die gleichzeitig betrieben werden können (je nach Region).

Drahtlose HDX-Handmikrofone der S4-Serie als Gesangsmikrofon mit einer feinen, kraftvollen und dynamischen Mikrofonsprechstelle.

Drahtlose BTX-Taschensender der S4-Serie für den Betrieb mit den Lavaliermikrofonen und Kopfbügelmikrofonen der TRANTEC-Serie.

Der RX-Drahtlos-Empfänger der S4-Serie ist ein Diversityempfänger zur Minimierung der Ausfälle.

3. LEISTUNGSMERKMALE

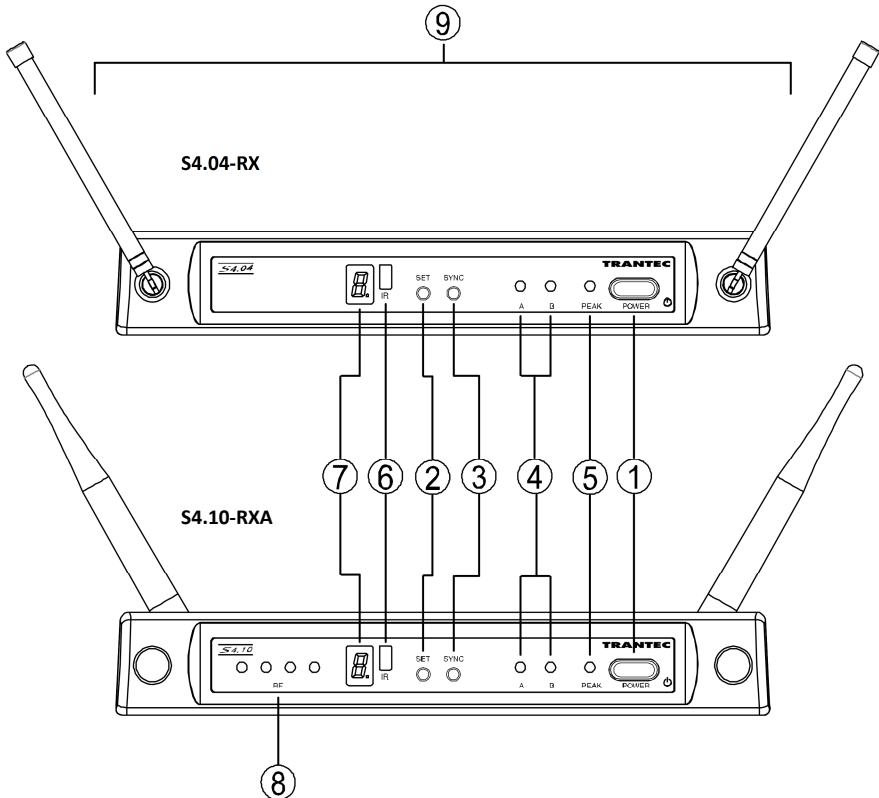
- Ein optimierter PLL-Synthesizer sorgt für die Minimierung der Schwingungsfrequenzdrift durch Schwankungen der Umgebungstemperaturen oder der Spannung.
- Die Betriebs-/Batterieanzeige signalisiert den nötigen Batteriewechsel bei deutlichem Spannungsabfall, bevor die niedrige Spannung zu Fehlfunktionen führen kann.
- Für einen kontinuierlichen Betrieb von bis zu 10 Stunden mit einer einzigen AA-Alkalibatterie.
- Der HDX der S4-Serie besitzt eine eingebaute Antenne.
- Die Anzeige des RX-Empfängers der S4-Serie zeigt den Pegel des Batterieverbrauchs an.
- Schneller Sendersuchlauf und automatische Sendereinstellung.
- Automatische Kanalwahl über Infrarot.
- In kompakter Größe und mit hoher Zuverlässigkeit.

4. VORSICHTSMASSNAHMEN BEI DER HANDHABUNG

- Das Gerät darf niemals direktem Regen ausgesetzt werden. Aufstellorte, an denen das Gerät mit Wasser oder anderen Flüssigkeiten bespritzt werden kann, sind zu vermeiden, da dies zu einer Fehlfunktion führen kann.
- Das Gehäuse des Geräts niemals öffnen oder entfernen, um Modifikationen am Gerät vorzunehmen. Lassen Sie sämtliche Servicearbeiten bei Ihrem TOA-Händler in der Nähe durchführen.
- Lassen Sie das Gerät nicht auf den Boden fallen und vermeiden Sie starke Stöße gegen harte Gegenstände, wodurch das Gerät beschädigt werden kann.
- Stellen Sie das Gerät nicht an Orten auf, an denen es hohen Temperaturen (z.B. in einem schlecht klimatisierten Fahrzeug im Sommer) oder einer hohen Luftfeuchtigkeit ausgesetzt wird, da dies zu Fehlfunktionen des Geräts führen kann.
- Betreiben Sie das Gerät nicht in Umgebungen, in denen es mit Seewasser in Berührung kommen kann.
- Vermeiden Sie es, ein Handy in unmittelbarer Umgebung des Drahtlos-Mikrofons zu benutzen, da dadurch Störungen durch Nebengeräusche entstehen.
- Halten Sie das Gerät bei der Installation so weit wie möglich fern von Leuchtstofflampen, Digitalgeräten, Personal Computern und anderen Geräten und Ausrüstungen, die ein Hochfrequenzrauschen erzeugen.
- Zum Sauberwischen verwenden Sie ein trockenes Tuch. Bei starken Verschmutzungen des Geräts wischen Sie es sanft mit einem Tuch sauber, das Sie mit einem verdünnten neutralen Reinigungsmittel benetzt haben. Danach mit einem trockenen Tuch trockenwischen. Niemals Benzol, Verdünner oder chemisch behandelte Reinigungstücher verwenden.
- Beim Betrieb mit zwei oder mehr Drahtlos-Mikrofonen halten Sie diese in einem Abstand von mindestens 50 cm voneinander entfernt, um Fehlfunktionen oder ein Rauschen zu vermeiden.
- Halten Sie das Drahtlos-Mikrofon mindestens 3 m von der Empfangsantenne entfernt. Eine Benutzung des Mikrofons in unmittelbarer Nähe zur Antenne kann eine Fehlfunktion oder ein Rauschen verursachen.

5. BEDIENELEMENTE UND FUNKTIONEN

Empfänger: S4.04-RX & S4.10-RXA
[Vorderseite]



1. Ein/Ausschalter

Zum Einschalten auf diese Taste drücken. Zum Ausschalten drücken Sie erneut auf diese Taste.

2. Kanalwahltaaste [SET]

Zum Wählen des Empfangskanals (Frequenz). (Die Empfängerfrequenz muss mit jener des Mikrofons übereinstimmen.)

3. Infrarot (IR)-Synchr.-Taste [SYNC]

Auf diese Taste drücken, um die Frequenz an den Sender zu übertragen.

4. Empfängerlampen [A, B]

Entweder leuchtet die Lampe A (links) oder B (rechts) gelb auf, wenn der Empfänger ein passendes Funksignal vom Sender auffindet.

5. AF-Spitzenlampe [PEAK]

Leuchtet rot auf, wenn der Ausgangspegel des Empfängers den Punkt ungefähr 3 dB unter dem Begrenzungspegel erreicht.

6. Infrarot (IR)-Port [IR]

Beim Drücken auf die SYNC-Taste wird das Infrarotsignal übertragen.

7. Numerische LED-Anzeige

Zeigt die aktuelle Kanalnummer im Normalstatus an.

Im Einstellmodus blinkt die angezeigte Kanalnummer bis zur Eintragung.

8. RF-Signalpegelmesser (nur S4.10-RXA)

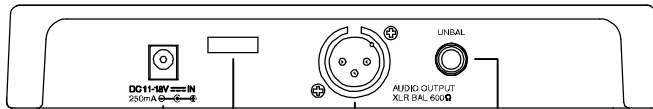
Zeigt den RF-Meßpegel an.

9. Antennen (nur S4.04-RX)

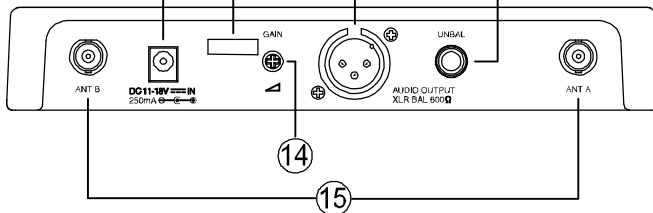
Richten Sie beide Antennen in einem Winkel von 45° von einer vertikalen Linie nach außen.

Beim Tragen des Geräts achten Sie darauf, beide Antennen nach unten zu halten, um zu vermeiden, dass diese brechen können.

S4.04-RX



S4.10-RXA

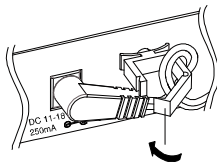


10. DC-Eingangsbuchse

Das Netzkabel des mitgelieferten Netzadapters mit dieser Buchse verbinden.

11. Kabelsicherung

Befestigen Sie hier das Kabel vom Netzteil.



12. AF-Ausgang

Symmetrische XLR-Buchse, Stecker (Stift #2: Hot).

S4.04-RX: -20 dBu (max.).

S4.10-RXA: 16 dBu (max.).

13. AF-Ausgang

Unsymmetrischer Klinkenstecker.

S4.04-RX und S4.10-RXA: 10 dBu (max.).

14. Lautstärkeregler (nur S4.10-RXA)

Zum Einstellen des Ausgangspegels.

15. Antenneneingang A, B (nur S4.10-RXA)

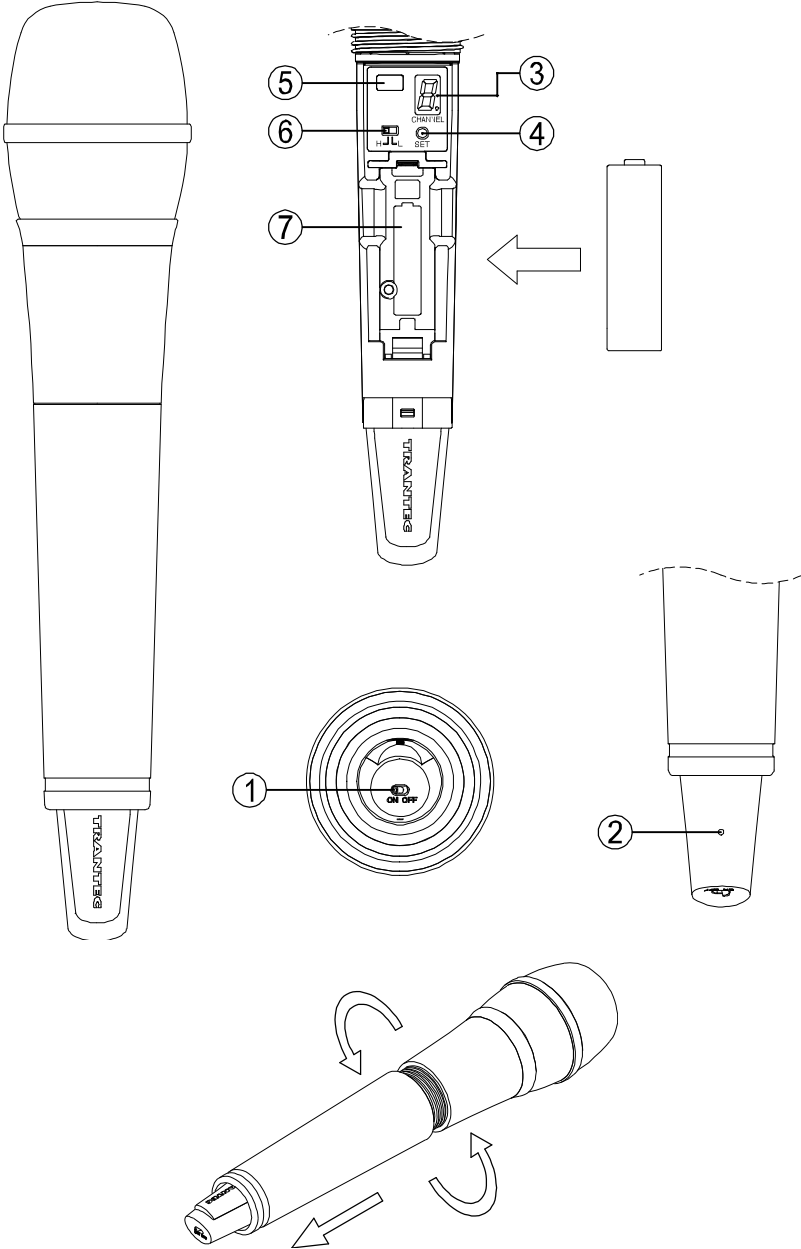
BNC-Anschlüsse für die Antennen.

Phantomspannung für die externe Antenne (optional).

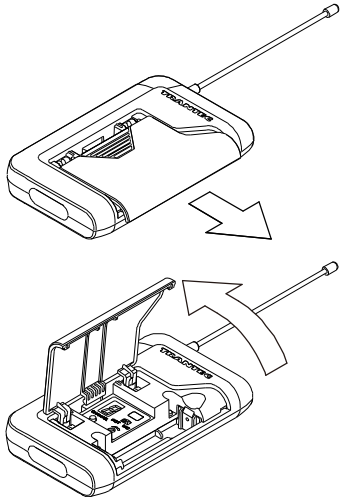
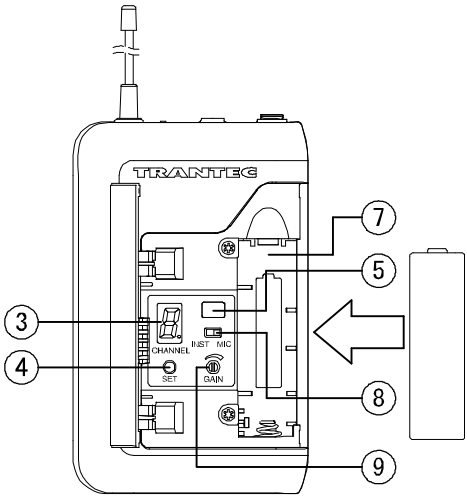
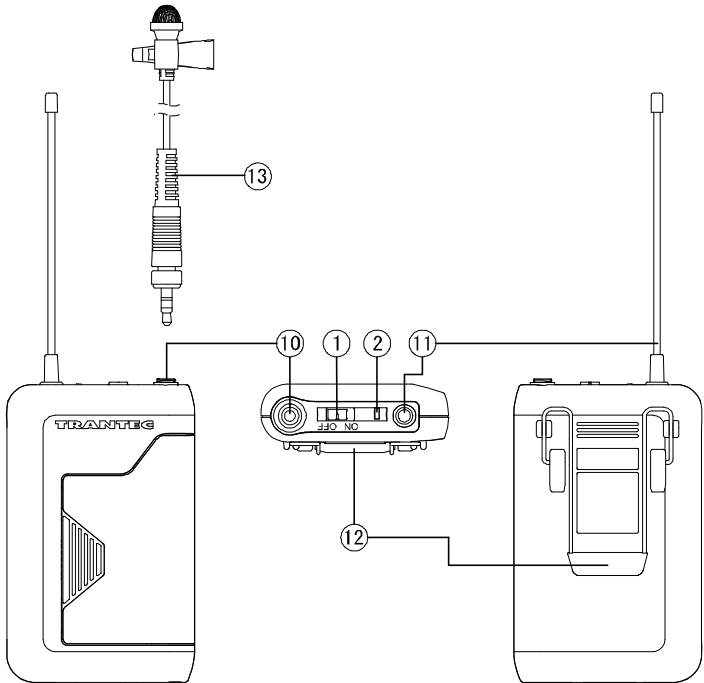
Für eine drahtlose Anlage in einem relativ beengten Raum verwenden Sie die beiden mitgelieferten Stabantennen, die von einer vertikalen Linie in einem Winkel von 45° nach außen ausgerichtet werden können.

Hinweis Die S4.10-RXA-Empfängerverstärkung ist stufenlos einstellbar. Ein zu hohes Empfängersignal kann zu Verzerrungen bei Ihrem Mischer/Verstärker führen. Ist das Signal zu niedrig, führt dies zu einer Verstärkung der Hintergrundgeräusche. Beachten Sie die AF Leak LED am Empfänger und stellen den Lautstärkeregler so lange ein, bis Sie die beste Signalqualität empfangen.

Handmikrofon: S4.04-HDX & S4.10-HDX



Taschensender: S4.04-BTX & S4.10-BTX



1. Ein/Ausschalter

Zum Einschalten der Stromzufuhr diesen Schalter auf "ON" (EIN) und zum Ausschalten auf "OFF" (AUS) schieben.

2. Betriebs-/Batterieanzeige

Eine grüne LED leuchtet, so lange die Batterieladung ausreichend ist. Diese grüne LED beginnt zu blinken, wenn die Batteriekapazität niedrig ist.

3. Numerische LED-Anzeige

Zeigt die aktuelle Kanalnummer im Normalstatus an.

Im Einstellmodus blinkt die angegebene Kanalnummer bis zur Eintragung.

4. Kanalwahltaste [SET]

Zum Wählen des Kanals (Frequenz). (Die Frequenz muss mit jener des Empfängers übereinstimmen.).

5. Infrarot (IR)-Port

Empfang des Infrarotsignals vom Empfänger.

6. PAD-Schalter (nur S4.10-HDX)

Mit diesem Schalter wird die Mikrofonempfindlichkeit eingestellt. Die Empfindlichkeit kann mit "H" (0dB), "L" (-10dB) reduziert werden.

Hinweis Die Senderantenne niemals direkt gegen den Körper oder die Hand ausrichten, da dadurch die Reichweite beträchtlich eingeschränkt wird.

7. Batteriefach

Eine AA-Batterie unter Beachtung der (+-) und (-)-Symbole in das Batteriefach einsetzen.

Hinweis: Den Ein/Ausschalter ausschalten.

HDX: Das Mikrofongehäuse festhalten und den Mikrofongriff nach links drehen, um diesen zu entfernen.

BTX: Den Batteriefachdeckel in die mit dem Pfeil angezeigte Richtung schieben und dabei mit einem Daumen gleichzeitig auf den Deckel drücken, um diesen nach oben aufzuklappen.

8. MIC/Instrument-Schalter (nur BTX)

Zum Verbinden des Mikrofons den Schalter auf "MIC" und zum Verbinden des Instruments den Schalter auf "INST" schieben.

9. Audiopegelregler (nur BTX)

Den Audiopegelregler mit dem mitgelieferten Schraubenzieher einstellen. Die Empfindlichkeit des Senders wird beim Drehen des Reglers nach rechts erhöht. Beim Drehen nach links wird die Empfindlichkeit des Senders reduziert.

10. Eingangsbuchse (nur BTX)

3,5-mm-Steckerbuchse zum Verbinden des Mikrofon- oder Instrumentenkabels.

11. Antenne (nur BTX)

12. Sicherung (nur BTX)

Den Sender an einen Gürtel durch die Sendersicherung anstecken. Der Gürtel sollte dabei an die Basis der Sendersicherung andrücken.

13. Mikrofon (nur BTX)

Hinweis: Das Mikrofonkabel so verlegen, dass eine zu starke Anspannung oder Reibungen vermieden wird. Dabei das Mikrofonkabel möglichst fern von der Antenne verlegen.

6. MANUELLE KANALWAHL

Schritt 1. Die SET-Taste ungefähr 3 Sekunden gedrückt halten, bis die angezeigte Kanalnummer blinkt.

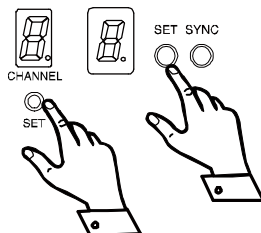
Schritt 2. Die gewünschte Kanalnummer mit der SET-Taste wählen. Nach Erreichen der gewünschten Nummer lassen Sie die SET-Taste los. Nach ungefähr 5 Sekunden stellt der Empfänger den Kanal automatisch ein und die blinkende Nummer wird ständig angezeigt.

Tipp Durch ein kontinuierliches Drücken oder bei jedem Drücken auf die SET-Taste durchläuft das Display den Zyklus der Kanalnummern.

Wenn am Empfänger der Punkt im LED neben der Kanalnummer-LED beim Wählen der Kanalnummer blinkt, bedeutet dies, dass der Kanal bereits belegt ist.

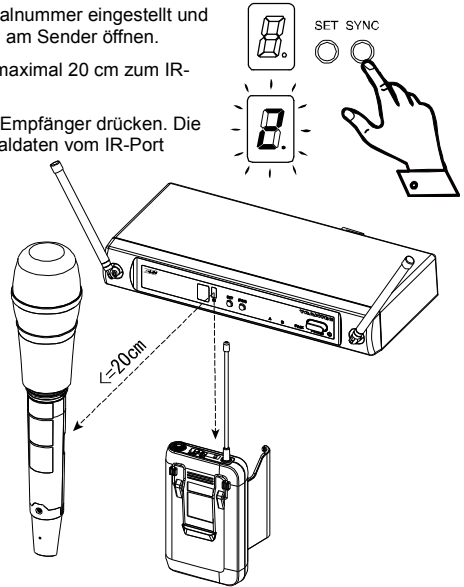
Hinweis Sicherstellen, dass die Kanalnummer des Senders mit jener des Empfängers übereinstimmt. Unterscheidet sich die Einstellung des Senders von jener des Empfängers, kann der Empfänger das Funksignal vom Sender nicht empfangen.

Wird der Sender mit dem Ein/Ausschalter eingeschaltet, leuchtet dabei das Display der Kanalnummer für ungefähr 20 Sekunden auf, danach schaltet sich das Display aus. Beim Drücken auf die SET-Taste in diesem Zustand leuchtet das Display für ungefähr 20 Sekunden auf.



7. KANALWAHL mit SYNCHRONISATION ÜBER INFRAROT

- Schritt 1.** Sicherstellen, dass der Empfänger auf die Kanalnummer eingestellt und der Sender eingestellt wurde. Das Batteriefach am Sender öffnen.
- Schritt 2.** Den IR-Port am Sender in einen Abstand von maximal 20 cm zum IR-Port am Empfänger bringen.
- Schritt 3.** Ungefähr 3 Sekunden auf die SYNC-Taste am Empfänger drücken. Die angezeigte Kanalnummer blinkt, wenn die Kanaldaten vom IR-Port erfolgreich an den Empfänger übertragen wurden.
- Schritt 4.** Die angezeigte Kanalnummer am Sender blinkt ungefähr 3 Sekunden, wenn die Kanalnummern zwischen dem Empfänger und dem Sender erfolgreich synchronisiert wurden.
- Hinweis** Selbst wenn sich das Display mit der Kanalnummer am Sender ausschaltet, schaltet sich das Display nach einem erfolgreichen Synchronisieren wieder ein.



8. SENDERSUCHLAUF

- Schritt 1.** Ungefähr 3 Sekunden gleichzeitig auf die SET- und SYNC-Taste drücken. Der Sendersuchlauf beginnt, wobei eine Leerkanalnummer blinkend auf dem Kanalnummerdisplay blinkt.
- Schritt 2.** Nach dem Sendersuchlauf werden die Leerkanäle der Reihe nach angezeigt.
- Schritt 3.** Drücken Sie gleichzeitig auf die SET- und SYNC-Taste. Der Empfänger stellt den Leerkanal automatisch ein.
- Hinweis** Schalten Sie vor Beginn des Sendersuchlaufs alle Sender und andere Geräte, die während des Vorgangs Störungen verursachen können, aus, damit er beim Sendersuchlauf entdeckt wird.
- Falls keine Leerkanäle vorhanden sind, wird die Kanalnummer als ein blinkendes „-“ angezeigt.
Der Kanal vor dem Sendersuchlauf wird danach wieder eingestellt.



Konfiguration mehrerer Systeme

Stellen Sie jedes System einzeln ein. Stellen Sie sicher, dass jedem System ein verschiedener Kanal zugeordnet wurde und lassen den Sender eingeschaltet, da sonst der Kanal beim Sendersuchlauf mit dem anderen Empfänger nicht als belegter Kanal erkannt wird.

9. BATTERIEALARM

- Der Punkt im LED des Nummern-LEDs am Empfänger und Sender wird blinken, wenn die Batteriekapazität im entsprechenden Sender niedrig wird. Die Batterie im Sender muss ersetzt werden.



10. HINWEISE ZUM BETRIEB

- Die Reichweite des Senders beträgt 3-100 m. Begibt sich der Benutzer des Senders in ein Gebäude können Signalverluste auftreten (vorübergehende Verluste des Signalempfangs). Diese Verluste werden durch die architektonische Gestaltung des Gebäudes oder des Baumaterials verursacht, welche die Übertragung des Funksignals hindern oder dieses reflektieren. In diesem Fall wechseln Sie den Standort, um das Signal besser empfangen zu können.
- Achten Sie auf eine gute Sichtlinie zwischen dem Sender und dem Empfänger. Zwischen dem Sender und dem Empfänger dürfen sich keine große Hindernisse (z.B. Betonwände oder große Metallgegenstände) befinden. Halten Sie den Empfänger außerdem von Metallrohren und Gegenständen fern, da diese die Antennen-Richtcharakteristik beeinträchtigen und Störungen verursachen können.
- Der richtige Betrieb Ihrer Drahtlos-Anlage kann durch andere Anlagen, die mit derselben Frequenz betrieben werden, gestört werden. In einem solchen Fall ändern Sie die Betriebsfrequenz Ihrer Anlage.
- Halten Sie das Mikrofon in einem Abstand von maximal 20 cm von der Klangquelle. Bringen Sie das Mikrofon für einen stärkeren und wärmeren Klang näher. Das Gitter nicht mit der Hand abdecken.
- Für die beste Klangwiedergabe halten Sie das Lavaliermikrofon in einem Abstand von 15-20 cm von Ihrem Mund. Bei Rundstrahlrichtwirkung werden Geräusche aus allen Richtungen aufgenommen. Das Mikrofon sollte sich näher zur Klangquelle befinden. Halten Sie das Mikrofon nicht zu nahe an Ihren Mund (innerhalb von 5 cm), da dadurch die Klarheit des Klangs beeinträchtigt wird, wenn Sie lauter sprechen.
- Bei einem Kopfbügelmikrofon richten Sie das Mikrofon mit dem mitgelieferten Windschutz durch Justieren des Schwanenhalses vor Ihren Mund aus. Für die beste Klangwiedergabe muss sich das Mikrofon 3-5 cm von Ihrem Mund entfernt befinden. Die Klarheit des Klangs wird beeinträchtigt, wenn das Mikrofon zu nahe an Ihrem Mund ist oder Sie zu laut sprechen, so dass die Umstehenden Sie nur schwierig verständlich hören können.

11. STÖRUNGSSUCHE

Störung	Zustand	Abhilfe
Kein Klang	Die Empfängeranzeige am Empfänger [entweder A oder B] oder der RF-Signalpegelmesser leuchtet.	Prüfen Sie die Verbindungen des Beschallungssystems oder der Verstärkung Prüfen Sie den Lautstärkereger des Empfängers.
Verzerrter Klang	AF-Spitzenlampe [PEAK] zeigt an.	Prüfen Sie die Empfangsverstärkung oder PAD. Prüfen Sie den Lautstärkereger des Empfängers. Prüfen Sie, ob der Ausgangspegel des Empfängers mit dem Eingangspegel des Mischers/Verstärkers übereinstimmt.
Mangelnde Reichweite oder klangverluste	Die Empfängeranzeige am Empfänger [entweder A oder B] flimmert oder der RF-Signalpegelmesser erlischt.	Die Anlage muss innerhalb der empfohlenen Reichweite aufgestellt werden. Der Sender muss in einer klaren Sichtlinie zum Empfänger benutzt werden. Den Sendersuchlauf prüfen, auf naheliegende Störungsquellen prüfen und den Empfänger und den Sender auf einen anderen Kanal einstellen. Prüfen Sie die Batterieanzeige und ersetzen Sie die Batterie des Senders.

12. TECHNISCHE DATEN

System

Modulation	Breitband-FM
Frequenzbereich	UHF-Band (506-538, 538-576, 576-603, 603-638, 638-671, 671-701, 720-758, 785-815, 819-832, 836-867, 925-937,5 MHz)
Einstellbare Frequenzen	In 25 kHz-Schritten
Schaltbare Kanäle	S4.04: 4 Kanäle S4.10: bis zu 16 Kanäle (je nach Region)
Gleichzeitig betriebene Kanäle	S4.04: 4 Kanäle S4.10: bis zu 16 Kanäle (je nach Region)
Pilotton	32,768 kHz
Gesamte harmonische Verzerrung	< 1 % @1 kHz
Funktion	IR-Synchr., Sendersuchlauf, Angaben zur Batterielevensdauer
Dynamikbereich	>96 dB(A)
Reichweite	Ungefähr 100 m
Zul. Betriebstemperatur	-10°C bis +50° C

Hinweis: 506–603 MHz und 614–698 MHz für die USA/Kanada, 614–698 MHz für Brasilien, 865–867 MHz für Indien, 925-937,5 MHz für Korea

SENDER

	S4.04-HDX, S4.10-HDX	S4.04-BTX, S4.10-BTX
Mikrofonsprechstelle	Dynamisch mit Nierencharakteristik	Lavalier- und Kopfbügelmikrofon der TRANTEC-Serie
RF-Trägerleistung	10 mW	10 mW
Audiofrequenzgang	80 - 15000 Hz	50 - 15000 Hz
Audioeingangsspegel	140 dB SPL (max.)	-6dBV (max.), mic-Verstärkung 0dB
Batterielevensdauer	Ungefähr 10 Stunden	Ungefähr 10 Stunden
Stromversorgung	1 AA-Alkalibatterie, 1,5 V	1 AA-Alkalibatterie, 1,5 V
Finish	Harz, Beschichtung	Harz, Beschichtung
Abmessungen*	250 x \varnothing 50 mm	62 (B) x 100 (H) x 25 (D) mm (mit Sicherung)
Gewicht*	245 g (mit Batterie)	85 g (mit Batterie)

EMPFÄNGER S4.04RX, S4.10-RXA

Diversitätsempfang	Antennendiversität
Empfindlichkeit	10uV bei 45dB A S/N
Rauschsperr (SQ)	Ton SQ, Träger SQ, Rauschen SQ
Audiofrequenzgang	50 - 15000 Hz
Audioausgabepegel (max.)	S4.04-RX symmetrisch (XLR-Buchse): -20 dBu Unsymmetrisch (1/4"-Steckerbuchse): 10 dBu S4.10-RXA symmetrisch (XLR-Buchse): 16 dBu Unsymmetrisch (1/4"-Steckerbuchse): 10 dBu
Stromversorgung	11 - 18 VDC 300 mA
Abmessungen*	215 (B) x 39 (H) x 102 (D) mm (ohne Antenne und BNC)
Gewicht*	480 g

0dBu=0,775V

Hinweis: Änderungen des Designs und der Angaben zur Verbesserung sind ohne Vorankündigung vorbehalten.

• Zubehör

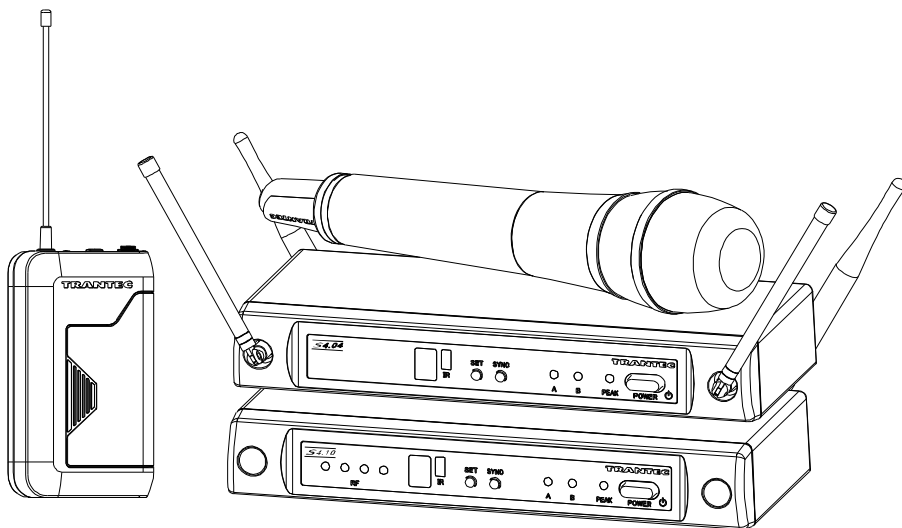
WS-Netzadapter

Mikrofonhalter (für das Handmikrofon)

Schraubenzieher (zum Einstellen des Taschensenders)

SYSTEME MICROPHONE SANS FIL

Séries S4.04 / S4.10



SOMMAIRE

- | | |
|--|----------------------------|
| 1. CONSEILS SECURITE | 8. BALAYAGE CANAL |
| 2. DESCRIPTION GENERALE | 9. ALARME BATTERIE |
| 3. CARACTERISTIQUES | 10. CONSEILS D'UTILISATION |
| 4. PRECAUTIONS D'USAGE | 11. DEPANNAGE |
| 5. NOMENCLATURE ET FONCTIONS | 12. SPECIFICATIONS |
| 6. PARAMETRAGE MANUEL N° DE CANAL | |
| 7. PARAMETRAGE N° DE CANAL par
SYNCHRONISATION INFRAROUGE | |

Merci pour votre achat du système Microphones Sans fils. Séries S4 de TOA TRANTEC. Veuillez suivre attentivement les instructions de ce manuel pour garantir une longue vie sans problèmes pour votre appareil.

1. CONSEILS DE SECURITE

- Lisez attentivement les instructions ci-dessous avant toute utilisation.
- Suivez les recommandations signalées par les symboles de sécurité. Elles contiennent des informations très importantes.
- Nous vous recommandons aussi de la conserver toujours en tant que notice de référence.

Symboles de sécurité et conventions

Les symboles et messages de sécurité décrits ci-dessous sont utilisés dans cette notice pour prévenir tout dommage corporel ou matériel pouvant résulter d'une mauvaise utilisation. Lisez attentivement cette notice pour comprendre parfaitement les symboles et messages de sécurité pour prévenir tout risque éventuel.



AVERTISSEMENT

Indique une situation risquant d'entraîner des blessures sérieuses, voire la mort.

Lors de l'installation de l'appareil

- Ne pas exposer l'appareil à la pluie et le protéger de tout contact avec des liquides afin d'éviter tout risque d'incendie ou de choc électrique.
- Utiliser l'appareil uniquement avec le voltage spécifié sur l'appareil. L'utilisation de l'appareil avec un voltage supérieur à celui spécifié peut entraîner un début d'incendie ou un choc électrique.
- Ne pas sectionner, tordre ou modifier le câble d'alimentation. Eviter également d'utiliser le câble à proximité d'un radiateur. Ne pas poser d'objets lourds sur le câble, ni même l'appareil afin d'éviter tout risque d'incendie ou de choc électrique.
- Eviter l'installation ou le montage de l'appareil dans des endroits instables (table branlante ou surface en pente) afin d'éviter toute chute de l'appareil qui pourrait entraîner des blessures ou des dommages matériels.
- Afin de protéger l'appareil contre la foudre, l'installer à 5 mètres au moins d'un paratonnerre, néanmoins dans son champ de protection (angle de 45°) du conducteur de foudre. La foudre peut entraîner un incendie, un choc électrique ou blessures.
- Ne pas installer l'appareil à l'extérieur, l'appareil étant conçu pour l'utilisation à l'intérieur. En cas d'installation à l'extérieur, le vieillissement des pièces peut entraîner une panne et provoquer des blessures. La pluie représente un danger de choc électrique.

Lors de l'utilisation du récepteur

- En cas de problème comme ci-dessous durant l'utilisation, éteindre immédiatement l'appareil et débrancher la prise d'alimentation du secteur et contacter votre représentant TOA le plus proche. Ne pas essayer de faire fonctionner l'appareil dans ces conditions afin d'éviter tout risque d'incendie ou de choc électrique.
 - Si vous détectez de la fumée ou si vous sentez une odeur inhabituelle provenant de l'appareil.
 - Si de l'eau ou un objet métallique s'introduit dans l'appareil
 - Si l'appareil tombe ou si le boîtier se trouve cassé
 - Si le câble d'alimentation est endommagé (fil dénudé, faux-contact, etc.)
 - Si l'appareil présente un mauvais fonctionnement (absence de sons.)
- Ne placer ni tasses, verres ou autres récipients contenant du liquide, ni objets métalliques sur l'appareil. Tout déversement sur l'appareil représente un risque d'incendie ou de choc électrique.
- Ne pas toucher à une prise ou à l'antenne lors d'un orage pour éviter tout risque d'électrocution.

Lors de l'utilisation du Microphone ou du transmetteur

- Pour prévenir toute influence néfaste des ondes électromagnétiques sur le matériel médical, veillez à mettre l'appareil hors tension lorsqu'il est placé à proximité de ce type de matériel



ATTENTION

Indique une situation potentiellement dangereuse qui, si mal gérée, peut entraîner de graves blessures voire la mort.

Lors de l'installation du récepteur

- Ne pas brancher ou débrancher l'appareil avec les mains mouillées pour éviter tout risque d'électrocution.
- Prendre de soin de débrancher le câble en tenant la prise et non en tirant sur le câble lui-même. L'utilisation de l'appareil avec un câble endommagé peut provoquer un incendie ou un choc électrique.
- Si vous déplacez l'appareil, assurez-vous de débrancher d'abord le cordon d'alimentation de la prise murale. Tout déplacement de l'appareil encore relié à sa prise secteur peut causer des dommages d'incendie ou de choc électrique. Si vous débranchez l'appareil, veillez à tirer le cordon par sa prise.
- La prise de courant devra être installée près de l'équipement et facilement accessible.
- Évitez d'installer l'appareil dans des endroits humides ou poussiéreux et ne pas l'exposer directement à une source de chaleur (soleil, radiateurs etc.) ou tout autre emplacement générant de la fumée ou de la vapeur pouvant causer des risques d'incendie ou de choc électrique.

Lors de l'utilisation du récepteur

- Ne pas placer d'objets lourds sur l'appareil qui pourraient entraîner sa chute et causer des blessures corporelles et/ou des dommages matériels. De plus, l'objet lui-même pourrait causer des blessures physiques et/ou des dommages matériels.
- Assurez-vous que le bouton du volume soit réglé au minimum avant de mettre en marche votre appareil. Le son produit en volume maximum peut altérer votre audition.
- Ne jamais tenter d'ouvrir le boîtier de votre appareil celui-ci contenant des composants à haute température qui peuvent provoquer de graves brûlures. Pour toute réparation veuillez vous adresser à votre revendeur TOA le plus proche.
- Utilisez uniquement l'adaptateur AC conçu pour votre appareil. L'utilisation d'un autre adaptateur peut entraîner un risque d'incendie.
- L'accumulation de poussière sur la prise de l'appareil ou dans la prise secteur peut provoquer un incendie. Nettoyez-les régulièrement. Branchez avec précaution votre appareil à sa prise secteur.
- Pour des raisons de sécurité, toujours éteindre votre appareil et le débrancher lorsque vous le nettoyez ou en cas de non-utilisation pendant 10 jours ou plus. Cela pourrait provoquer des risques d'incendie et de choc électrique.
- Toute modification apportée à ce dispositif n'étant pas approuvée par TOA Corporation peut annuler la licence consentie à l'utilisateur pour utiliser cet équipement.
- L'utilisation de cet appareil est sujette à deux conditions suivantes : (1) cet appareil ne doit pas causer d'interférences et (2) cet appareil doit accepter toute interférence, interférences pouvant la bonne marche de l'appareil incluses.

Lors de l'utilisation du Microphone ou du Transmetteur

- Si l'appareil n'est pas utilisé pendant 10 jours ou plus, veillez à retirer la batterie car une fuite de batterie peut causer des blessures et contaminer l'environnement
- Assurez-vous de bien respecter les précautions suivantes pour éviter qu'une fuite de batterie ou une explosion soient cause d'incendie ou de dommages personnels.
 - Ne court-circuitez pas, désassemblez, chauffez ni ne jetez la batterie au feu.
 - Ne pas souder directement sur la batterie.
 - Bien utiliser le type de batterie spécifié
 - Notez la polarité correcte (orientation positive et négative) quand vous placez une batterie dans l'appareil.
 - Évitez les emplacements directement exposés aux rayons du soleil, aux hautes températures et forte humidité pour ranger vos batteries.
- Si la batterie gonfle ou fuit, retirez-la de suite et remplacez-la de suite par une batterie neuve.

ATTENTION : Toute transformation ou modification non expressément approuvée par l'autorité responsable de la conformité pourrait annuler le droit de l'utilisateur à utiliser ce dispositif.

NOTE IMPORTANTE : Pour respecter les exigences d'exposition aux interférences radio de la FCC, aucune modification de l'antenne ou du dispositif n'est permise. Toute modification de l'antenne ou du dispositif pourrait faire le dispositif dépasser les exigences d'exposition aux RF et annuler de ce fait le droit de l'utilisateur à utiliser ce produit.

NOTE IMPORTANTE :

Le présent appareil est conforme aux CNR d'Industrie Canada applicables aux appareils radio exempts de licence. L'exploitation est autorisée aux deux conditions suivantes :

(1) l'appareil ne doit pas produire de brouillage, et (2) l'utilisateur de l'appareil doit accepter tout brouillage radioélectrique subi, même si le brouillage est susceptible d'en compromettre le fonctionnement.

This device complies with Industry Canada's licence-exempt RSSs. Operation is subject to the following two conditions: (1) This device may not cause interference; and (2) this device must accept any interference, including interference that may cause undesired operation of the device.

2. DESCRIPTION GENERALE

Le système Microphone sans fil Séries S4 de TOA TRANTEC conçu pour une utilisation sur la bande de fréquence UHF et convient aux applications de renforcement de la parole ou de la voix. Il est doté d'un circuit compresseur-extenseur minimisant l'influence du bruit ambiant.

S4.04 : 4 Canaux choisies par l'utilisateur pouvant être opérées simultanément.

S4.10 : Jusqu'à 16 canaux choisies par l'utilisateur pouvant être opérées simultanément. (Selon la région)

Séries S4. Le microphone à main sans fil HDX est un microphone vocal, utilisant une unité microphone puissante et dynamique.

Séries S4. Le transmetteur ceinture sans fil BTX peut utiliser les micros-cravates et les casques-micro TRANTEC.

Séries S4. Le récepteur sans fil RX est un récepteur diversité pour minimiser les tombées.

3. CARACTERISTIQUES

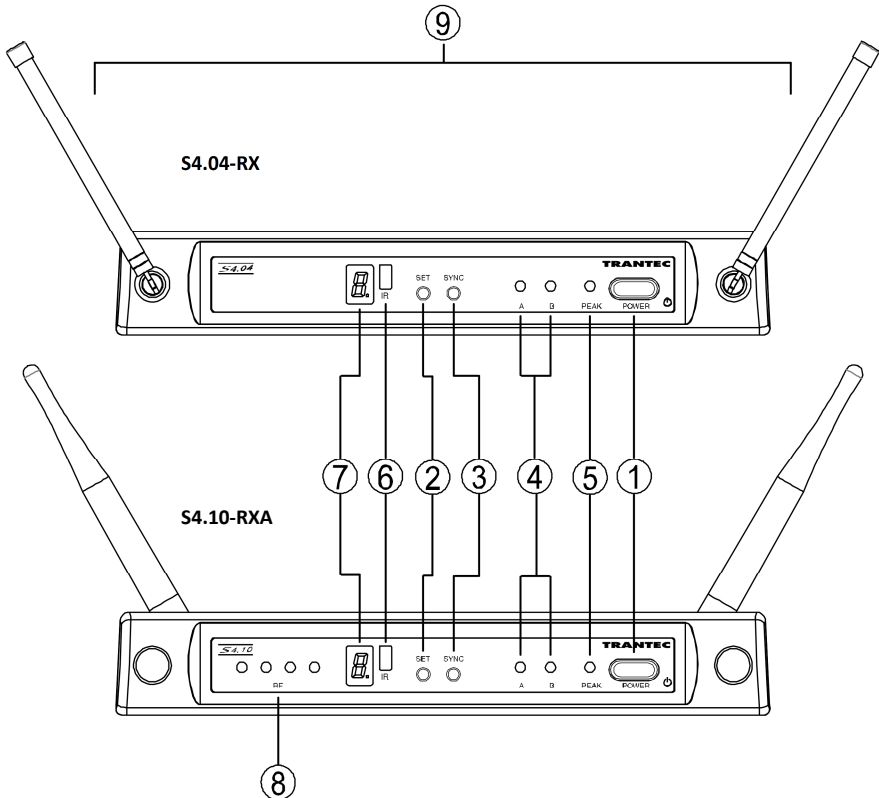
- Un synthétiseur PLL optimisé minimise la dérive de l'oscillation de fréquence résultant de la température ambiante ou de la fluctuation de tension.
- Les témoins Alimentation/Batterie indiquent le niveau de batterie pour prévenir tout dysfonctionnement du dispositif quand le niveau de batterie baisse brutalement.
- Jusqu'à 10 heures d'utilisation continue avec une seule pile alcaline AA.
- Le HDX séries S4 utilise une antenne intégrée.
- Le niveau de batterie peut être affiché sur l'indicateur du récepteur RX des séries S4.
- Un balayage rapide de canal et un paramétrage canal auto
- Paramétrage canal auto infrarouge.
- Taille compacte et grande fiabilité

4. PRECAUTIONS D'USAGE

- Ne pas exposer l'appareil à la pluie et le protéger de tout contact avec des liquides afin d'éviter tout risque de panne.
- Ne jamais ouvrir ou retirer le boîtier de l'appareil pour le modifier. Contactez votre représentant TOA le plus proche.
- Veiller à ne pas faire tomber l'appareil ou le cogner contre un objet dur pour éviter un risque de panne.
- Ne pas exposer l'appareil à des températures élevées (ex. dans une voiture en été) ou à une forte humidité qui pourraient endommager l'appareil. • Ne pas utiliser l'appareil dans des endroits exposés à de fortes températures (ex. une voiture mal ventilée en été) ou à une forte humidité pour éviter un risque de panne.
- Ne pas utiliser l'appareil dans des endroits exposés à l'eau de mer.
- Eviter d'utiliser un téléphone mobile à proximité du transmetteur sans fil utilisé pour éviter toute interférence.
- Lors de l'installation, gardez le dispositif aussi loin que possible des lampes fluorescentes, des appareils numériques, des ordinateurs personnels et autres équipements susceptibles de générer un bruit haute fréquence.
- Utiliser un chiffon sec pour le nettoyage. Si l'appareil est très sale, nettoyer avec un chiffon humecté de nettoyant neutre, puis un chiffon sec. Ne jamais utiliser de l'essence, un solvant ou une lingette chimique.
- En cas d'utilisation de deux microphones sans fil ou plus, maintenez-les au moins à 50 cm de distance les uns des autres pour éviter tout dysfonctionnement ou bruit.
- Maintenez une distance d'au moins 3 m entre le micro sans fil et l'antenne de réception. L'utilisation du microphone à proximité de l'antenne peut engendrer des dysfonctionnements ou du bruit.

5. NOMENCLATURE ET FONCTIONS

RECEPTEUR : S4.04-RX & S4.10-RXA [Avant]



1. INTERRUPTEUR Marche/Arrêt

Appuyez sur cette touche pour allumer l'appareil puis de nouveau une fois pour l'éteindre.

2. Touche paramétrage Canal [SET]

Utilisée pour sélectionner le canal de réception (fréquence). (La fréquence du récepteur doit être identique à celle du microphone.)

3. Touche sync Infrarouge (IR) [SYNC]

Appuyez sur cette touche pour transférer la fréquence vers le transmetteur.

4. Témoins de Réception [A, B]

Les deux témoins A (gauche) ou B (droit) s'allument en jaune lorsque le récepteur confirme un signal radio signal depuis le transmetteur.

5. Témoin Crête AF [PEAK]

S'allume en rouge quand le niveau sortie récepteur atteint le point environ 3 dB en-dessous du niveau d'écrêtage.

6. Port [IR] Infrarouge (IR)

Transmet le signal infrarouge suite à pression sur touche SYNC

7. Affichage Numérique LED

Indique le n° de canal en cours en état normal.

En mode paramétrage, le n° de canal indiqué clignote jusqu'à enregistrement.

8. Vumètre signal RF (S4.10-RXA seulement)

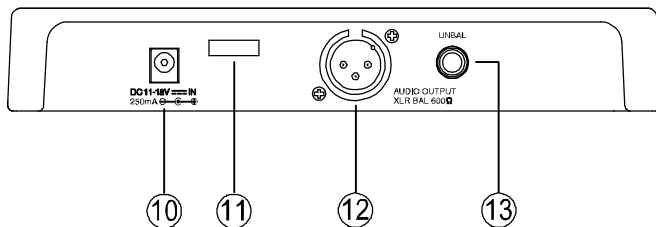
Indique le niveau du signal RF.

9. Antennes (S4.04-RX seulement)

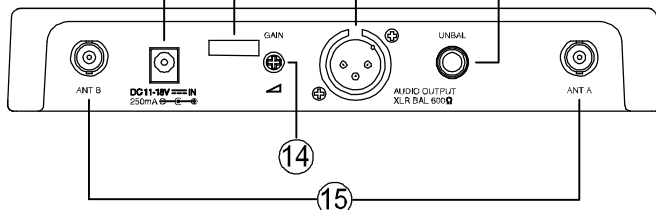
Soulever les deux antennes à 45° à partir d'une ligne verticale.

Quand vous déplacez l'appareil, assurez-vous de bien replier les deux antennes pour éviter qu'elles ne cassent.

S4.04-RX



S4.10-RXA

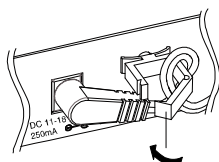


10. Prise Alimentation DC

Branchez le câble d'alimentation de l'adaptateur AC fourni sur cette prise.

11. Crochet pour Câble

Accrochez le câble d'alimentation sur cette pièce.



12. Sortie AF

Prise symétrique XLR, type male (Pin #2: Hot).

S4.04-RX : -20 dBu (maximum)

S4.10-RXA : 16 dBu (maximum)

13. Sortie AF

Prise téléphone asymétrique

S4.04-RX et S4.10-RXA : 10 dBu (maximum)

14. Contrôle du Volume (S4.10-RXA seulement)

Règle le niveau de sortie.

15. Entrée Antenne A, B (S4.10-RXA seulement)

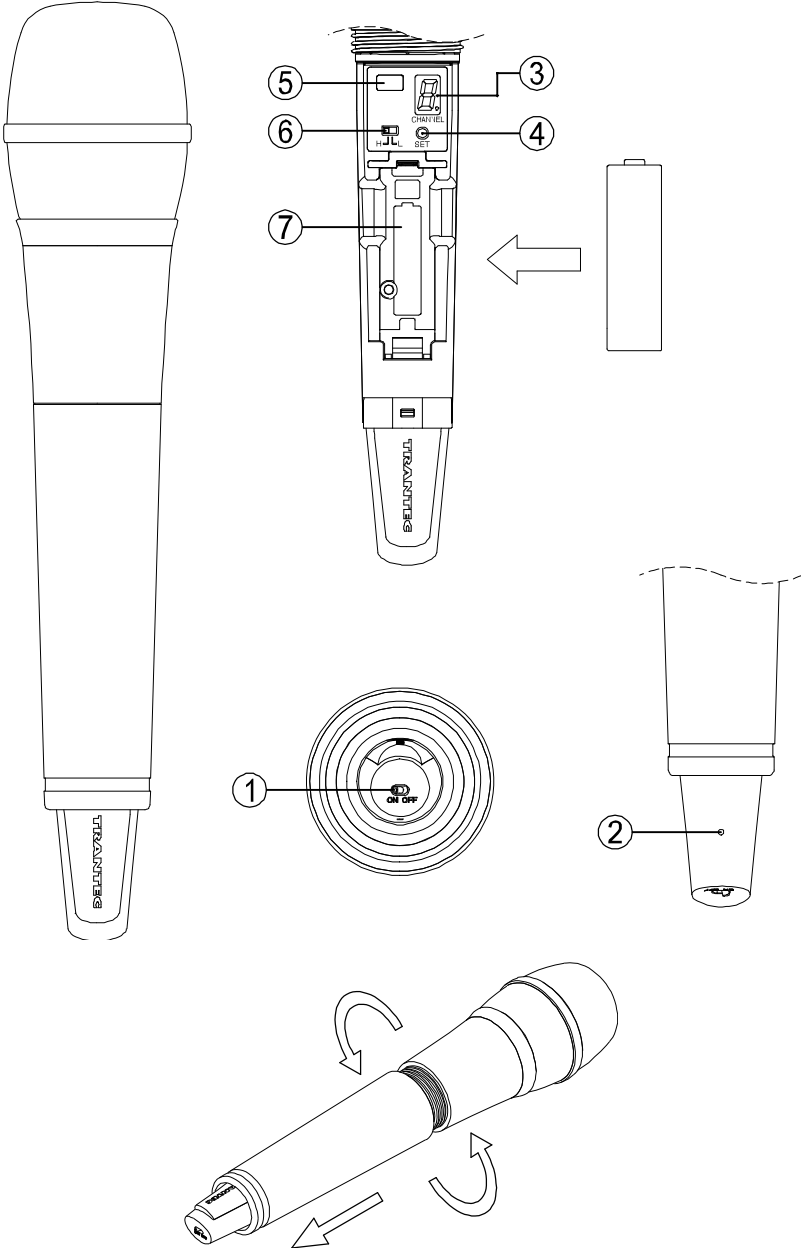
Connecteurs BNC pour antennes

Alimentation fantôme pour l'antenne externe (en option)

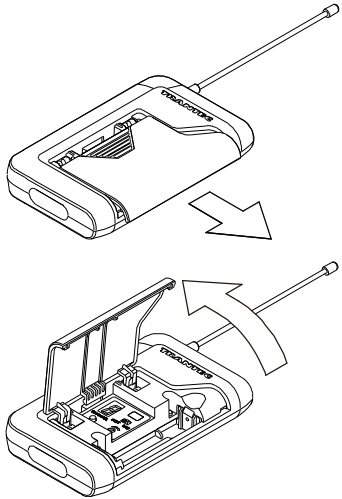
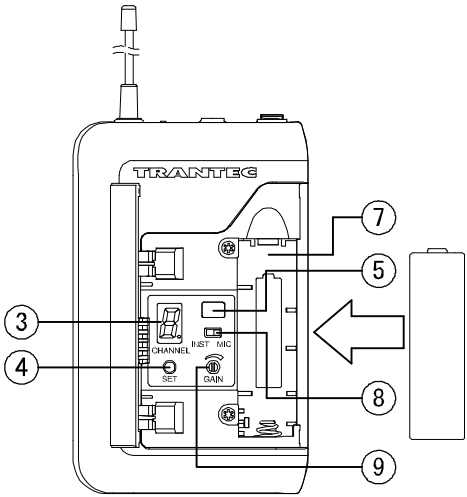
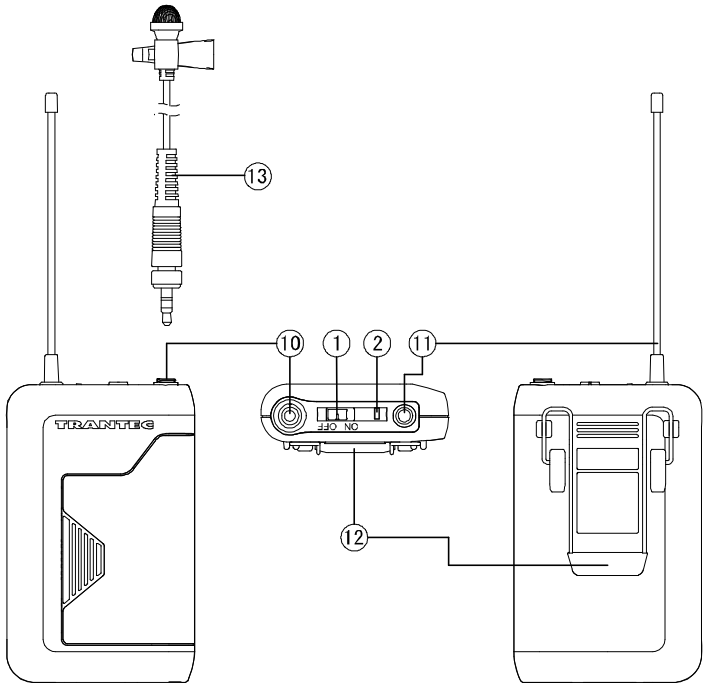
Pour le système sans fil couvrant une zone relativement étroite, utilisez les deux antennes-fignes fournies et placez-les à 45° à partir d'une ligne verticale.

Conseil Le gain du récepteur S4.10-RXA est réglable en continu. Si le signal du récepteur est trop élevé, il y aura distorsion de votre mixeur / amplificateur. Si le signal est trop faible, il en résultera une augmentation du bruit ambiant. Vérifiez la LED de crête AF sur le récepteur puis réglez le volume pour obtenir la meilleure qualité de signal.

Microphone à main : S4.04-HDX & S4.10-HDX



Emetteur Ceinture : S4.04-BTX & S4.10-BTX



1. Bouton Marche/Arrêt

Passez en position "ON" pour mise sous tension puis de retour sur "OFF" pour éteindre l'appareil.

2. Témoin Alimentation / Batterie

Une LED verte reste allumée tant que la capacité batterie est suffisante. Quand la capacité de batterie baisse, la LED verte commence à clignoter.

3. Affichage Numérique LED

Indique le n° de canal en cours en état normal.

En mode paramétrage, le n° de canal indiqué clignote jusqu'à enregistrement.

4. Touche paramétrage canal [SET]

Utilisée pour sélectionner le canal (fréquence). (La fréquence doit être identique à celle du récepteur.)

5. Port Infrarouge (IR)

Reçoit le signal infrarouge du récepteur.

6. Interrupteur PAD (S4.10-HDX seulement)

Cet interrupteur est utilisé pour configurer la sensibilité du microphone. La sensibilité peut être abaissée par "H" (0dB), "L" (-10dB).

Note Ne jamais placer l'antenne du transmetteur directement contre votre corps ou votre main. Ceci aurait pour effet de réduire considérablement la plage de fonctionnement.

7. Compartiment batterie

Insérez une pile AA en respectant les indications de polarité (+) et (-) sur le compartiment batterie.

Note : Mettre l'appareil hors tension.

HDX : Tenir en main le corps du micro puis faites tourner la poignée dans le sens contraire des aiguilles d'une montre pour la retirer.

BTX : Faites glisser le couvercle de la batterie dans la direction indiquée par la flèche tout en pressant sur le couvercle avec le pouce puis tirez vers le haut.

8. MIC / Interrupteur Instrument (BTX seulement)

Faites glisser cet interrupteur en position "MIC" pour connecter le microphone puis faites-le glisser vers "INST" pour connecter l'instrument.

9. Contrôle Niveau Audio (BTX uniquement)

Réglez le niveau audio avec le tournevis fourni. La sensibilité du transmetteur augmente quand la touche de contrôle est tournée dans les sens horaire et diminue lorsqu'elle est tournée dans le sens anti horaire.

10. Connecteur d'entrée (BTX uniquement)

Prise jack 3.5 MM. Branchez le microphone ou le câble instrument.

11. Antenne (BTX uniquement)

12. Pince (BTX uniquement)

Attacher le transmetteur à une ceinture avec la pince transmetteur. Il est conseillé d'appuyer la ceinture contre la base de la pince.

13. Microphone (BTX uniquement)

Note : Faites circuler le câble micro microphone pour éviter toute tension inutile ou friction. Gardez le câble microphone le plus éloigné que possible de l'antenne.

6. PARAMETRAGE MANUEL DE N° DE CANAL

Etape 1. Appuyez sur la touche SET pendant environ 3 secondes jusqu'à ce que le n° de canal affiché clignote.

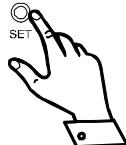
Etape 2. Sélectionnez le n° de canal désiré avec la touche SET key et relâchez la touche SET une fois ce n° atteint. Après environ 5 secondes, le récepteur paramètre automatiquement le canal et le n° clignotant passe en mode continu.

Conseil Une pression ou une pression continue de la touche SET permet d'afficher les numéros de canaux en cycle.

Du côté du récepteur, quand le point LED près du n° de canal clignote sur le n° de canal sélectionné cela signifie que le canal est déjà occupé.

Note Assurez-vous que le transmetteur a le même n° de canal que le récepteur. Dans le cas contraire, le récepteur ne reçoit pas le signal radio du transmetteur.

Du côté du transmetteur, appareil sous tension, l'affichage du n° de canal allume le témoin pendant environ 20 secondes puis éteint le témoin. Si la touche SET est utilisée dans ces conditions, l'affichage allumera le témoin pendant environ 20 secondes.



7. PARAMETRAGE N° DE CANAL by SYNCHRONISATION INFRAROUGE

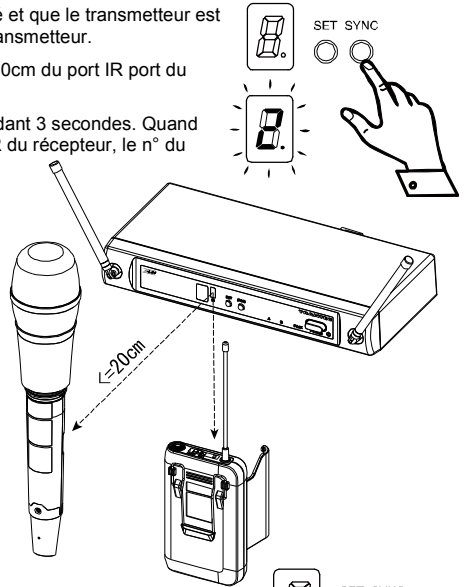
Etape 1. Confirmez que le n° de canal est bien paramétré et que le transmetteur est sous tension puis ouvrez le boîtier batterie du transmetteur.

Etape 2. Approchez le port IR du transmetteur dans les 20cm du port IR port du récepteur.

Etape 3. Appuyez sur la touche SYNC du récepteur pendant 3 secondes. Quand les données canal ont été transmises du port IR du récepteur, le n° du canal affiché clignote.

Etape 4. Quand les n° de canaux sont synchronisés entre le récepteur et le transmetteur, le n° de canal affiché du transmetteur clignote pendant environ 3 secondes.

Note Du côté du transmetteur, même si le témoin du n° de canal s'éteint, il se réaffiche 'une fois la synchronisation IR réussie.



8. BALAYAGE CANAL

Etape 1. Appuyez simultanément sur les touches SET et SYNC pendant environ 3 secondes. Le balayage canal démarre et un n° de canal vacant clignote sur l'affichage des canaux.

Etape 2. Une fois le balayage canal terminé, les canaux vacants s'affichent l'un après l'autre.

Etape 3. Appuyez simultanément sur les touches SET et SYNC et le récepteur paramètre automatiquement le canal vacant.

Note Avant de démarrer le balayage canal, éteignez tous les transmetteurs et tout autre équipement pouvant causer des interférences.

S'il n'y a pas de canaux vacants, le n° de canal s'affiche en clignotant comme un "-".

Le canal est de nouveau paramétré avant le balayage canal.

Paramétrage Système Multiple

Paramétrez chaque système l'un après l'autre ; confirmez qu'un canal différent est attribué à chaque système et laissez le transmetteur allumé. Autrement, le balayage canal de l'autre récepteur ne le détectera pas comme canal occupé.

9. TEMOIN ALARME BATTERIE

• Quand la capacité de batterie du transmetteur devient basse, le point LED du récepteur et du transmetteur clignotent. Remplacez la batterie du transmetteur.



10. CONSEILS D'UTILISATION

- La distance d'utilisation du microphone est comprise entre 3 et 100 m. Lorsque l'utilisateur se déplace, il peut y avoir des pertes de signal (pertes momentanées de la réception). Ces pertes peuvent provenir des conceptions architecturales des bâtiments ou des matériaux qui empêchent la transmission ou qui réfléchissent les signaux radio. Si tel est le cas, l'utilisateur doit rechercher en endroit plus favorable à la réception du signal.
- Le fonctionnement de votre système sans fil peut subir les interférences d'un système utilisant la même fréquence. Dans ce cas, changer la fréquence utilisée par votre système.
- Confirmez la bonne ligne de visée entre le transmetteur et le récepteur. Ne placez pas d'obstructions (ex. murs en béton ou obstructions métalliques) entre le transmetteur et le récepteur. Veuillez aussi éloigner le récepteur des poutres métalliques et autres obstructions au risque de nuire à la réception antenne et créer des interférences.
- Tenez le microphone à moins de 20cm de la source son. Approchez le microphone pour un son plus chaud. Ne pas couvrir la grille de la main.
- Pour une reproduction optimale du son, tenez le micro-cravate à 15 — 20 cm de votre bouche. En cas de réponse omnidirectionnelle, les sons de toutes directions sont captés. Il est recommandé de placer le micro au plus près de la source son. Veillez à ne pas vous approcher trop près du microphone (5 cm et moins) pour préserver la clarté de la voix si vous parlez fort dans le microphone. Amenez le microphone pourvu de sa protection en face de votre bouche. Puis écartez-le de 3 à 5 cm de votre bouche pour une reproduction sonore optimale. Lorsque le microphone est placé trop près de la bouche ou que vous parliez trop fort, la clarté de la parole s'en trouve affectée.
- Avec le micro casque, ajustez le col de cygne du micro et placez-le à 3 – 5 cm de votre bouche pour une meilleure prise de son. Lorsque le microphone est placé trop près de la bouche ou que vous parliez trop fort, la clarté de la parole s'en trouve affectée, rendant ainsi difficile la compréhension pour votre auditoire.

11. DEPANNAGE

Problème	Condition	Solution
Pas de son	Les témoins du vumètre du récepteur [soit A soit B] ou RF s'allument.	Confirmez les connexions de tout votre système ou gain Confirmez le volume du récepteur
Son déformé	Témoin crête AF [PEAK].	Confirmez le gain transmetteur ou PAD. Confirmez le volume du récepteur Confirmez que le niveau de sortie du récepteur correspond au niveau d'entrée du mixeur / amplificateur.
Petite bande ou perte de sons	Les témoins du vumètre du récepteur [A and B] clignotent ou le vumètre RF s'éteint	Le système doit être placé dans les limites recommandées. Le transmetteur doit être en ligne de cible avec le récepteur. Vérifiez le balayage canal, confirmez la source d'interférences proche et changez de canal sur le transmetteur et le récepteur. Vérifiez le niveau batterie et remplacez la batterie transmetteur.

12.SPECIFICATIONS

Système

Modulation	Large Bande FM
Gamme de Fréquence	Bande UHF (506-538, 538-576, 576-603, 603-638, 638-671, 671-701, 720-758, 785-815, 819-832, 836-867, 925-937.5 MHz)
Fréquences accordables	25 kHz Steps
Canaux commutables	S4.04 : 4 canaux S4.10 : jusqu'à 16 canaux (selon la région)
Canaux ouverts simultanément	S4.04 : 4 canaux S4.10 : jusqu'à 16 canaux (selon la région)
Signal Pilote	32.768kHz
Distorsion Harmonique Totale	< 1 % @1kHz
Fonction	IR sync, Balayage canal, Information sur la durée de vie de la batterie
Plage dynamique	>96 dB(A)
Plage de fonctionnement	approx. 100 m
Plage de température de fonctionnement	-10°C to +50° C

Note: 506–603 MHz et 614–698 MHz pour les USA/Canada, 614–698 MHz pour le Brésil, 865–867 MHz pour l' Inde, 925-937.5 MHz pour la Corée

TRANSMETTEUR

	S4.04-HDX, S4.10-HDX	S4.04-BTX, S4.10-BTX
Microphone	Dynamique en configuration cardioïde	Séries micro-cravate et micro-casque TRANTEC
Puissance de la porteuse RF	10 mW	10 mW
Réponse Fréquence Audio	80 - 15000 Hz	50 - 15000 Hz
Niveau Entrée Audio	140 dB SPL (maximum)	-6dBV (maximum), mic gain 0dB
Durée de vie batterie	approx. 10 heures	approx. 10 heures
Alimentation	1 batterie AA alcaline, 1.5 V	1 batterie AA alcaline, 1.5 V
Finition	Résine, enduit	Résine, enduit
Dimensions*	250 x φ50 mm	62 (W) x 100 (H) x 25 (D) mm (avec clip)
Poids*	245 g (avec batterie)	85 g (avec batterie)

RECEPTEUR S4.04RX, S4.10-RXA

Réception Diversité	Antenne Diversité
Sensitivité	10uV at 45dBA S/N
Squelch (SQ)	Ton SQ, Porteuse SQ, Bruit SQ
Réponse Fréquence Audio	50 - 15000 Hz
Niveau sortie audio (Maximum)	S4.04-RX symétrique (prise XLR) : -20 dBu Asymétrique (prise jack 1/4") : 10 dBu S4.10-RXA symétrique (prise XLR) : 16 dBu Asymétrique (prise jack 1/4") : 10 dBu
Alimentation	11 - 18 VDC 300 mA
Dimensions*	215 (W) x 39 (H) x 102 (D) mm (antenne et BNC exclus)
Poids*	480g

0dBu=0.775V

Note: La conception et les spécifications sont sujettes à modifications sans préavis.

• Accessoires

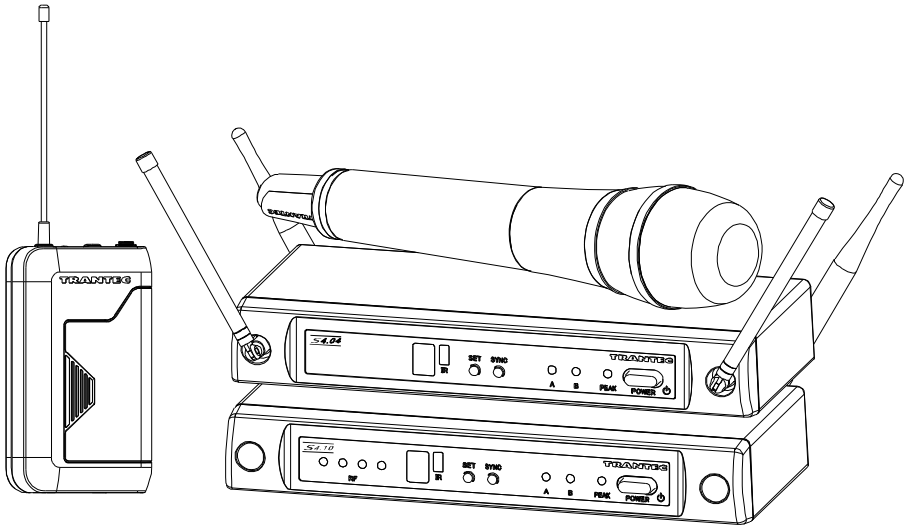
Adaptateur AC

Support Microphone (pour les microphones à main)

Tournevis (pour configurer le transmetteur- ceinture)

SISTEMA DE MICRÓFONO INALÁMBRICOS

Serie S4.04/S4.10



CONTENIDO

- | | |
|---|--------------------------|
| 1. PRECAUCIONES DE SEGURIDAD | 8. ESCANDIDO DE CANAL |
| 2. DESCRIPCIÓN GENERAL | 9. ALARMA DE BATERÍA |
| 3. CARACTERÍSTICAS | 10. INSTRUCCIONES DE USO |
| 4. PRECAUCIONES DEL USO | 11. FALLAS Y SOLUCIONES |
| 5. NOMENCLATURA Y FUNCIONES | 12. ESPECIFICACIONES |
| 6. NUMERACIÓN MANUAL DE CANAL | |
| 7. NUMERACIÓN DE CANAL POR
SINCRONIZACIÓN INFRARROJA | |

Gracias por su adquisición del Micrófono Inalámbrico de serie TRANTEC S4 de TOA.

Se le ruega seguir atentamente las instrucciones dadas en este manual por uso duradero y sin problema de su equipo.

1. PRECAUCIONES DE SEGURIDAD

- Lea atentamente las instrucciones dadas en esta sección antes del uso.
- Siga las instrucciones dadas en este manual, ya que vienen incluyendo muy importantes precauciones de símbolos y mensajes de seguridad.
- Le recomendamos así mismo guardar este manual de instrucción para realizar futuras consultas.

Símbolo y mensaje de seguridad

Los símbolos y mensajes de seguridad descritos a continuación se usan en este manual para prevenir daños personales y materiales que podrían producirse en caso de uso indebido del producto. Antes de usarlo, lea atentamente este manual primero y recuerde los símbolos y mensajes de seguridad para poder identificar posibles riesgos.



ADVERTENCIA

Indica una situación potencialmente peligrosa donde, por no usar el producto correctamente, puedan producirse lesiones graves ó un accidente mortal.

Al instalar el receptor

- No exponga el aparato en lluvia ó un ambiente donde pueda ser rociado por agua u otros líquidos, ya que resultaría en incendio ó electrocución.
- Use el aparato solamente en el voltage especificado en el aparato. El uso de un voltage más alto resultaría en incendio ó electrocución.
- No corte, enrosque el aparato, ó el cordón eléctrico quedaría dañado ó modificado. Además, evite usar el cordón eléctrico cerca de calefactores, y nunca coloque objetos pesados -- incluyendo el mismo aparato -- en el cordón eléctrico, por incendio ó electrocución.
- Evite instalar ó montar el aparato en lugares inestables, tales como una insegura mesa ó inclinada superficie. Ya que resultaría en aparato caído causando herida y/ó daños en material.
- Para prevenir ataques de relámpago, instale el aparato por lo menos 5 metros alejado de un pararrayos, y dentro del alcance de protección (ángulo de 45°) del pararrayos. Ataques de relámpago causarían incendio, electrocución ó herida personal.
- Como el aparato viene diseñado para uso interior, no lo instale al aire libre. De estar instalado aire libre, piezas añejas causarían aparato caído con herida personal. Igualmente, al quedar mojado en lluvia, causarían peligro de electrocución.

Cuando la unidad está en uso

- En caso de la siguiente irregularidad durante uso, inmediatamente apague el aparato, desconectando el enchufe del toma AC y contacte su agente TOA más cercano. No intente de hacer funcionar más el aparato en esta condición, ya que causarían incendio ó electrocución.
 - Si Ud. detecta humo u olor raro del aparato.
 - Si agua ó cualquier objeto metálico se mete en el aparato
 - Si el aparato cae, ó la caja del aparato se rompe.
 - Si el cordón eléctrico queda dañado (expuesto el núcleo, desconexión, etc.)
 - Malfuncionamiento (no sonido de tono.)
- No coloque tazas, tazones u otros contenedores de líquido u objetos metálicos encima del aparato. Derramado por accidente en el aparato, ya que causarían incendio ó electrocución.
- No toque la antena del durante trueno y relámpago, ya que causarían electrocución.

Cuando el micrófono ó el transmisor está en uso

- Para prevenir ondas electromagnéticas de equipo médico con mala influencia, esté seguro de apagar el aparato al cambiarlo cercano al equipo médico.



CAUTELA

Indica una situación de potencial peligro que, por erróneos usos, resultaría en moderado ó menor herida personal, y/ó daños en material.

Al instalar el receptor

- Nunca meta ni remueva el enchufe con manos mojadas, ya que resultaría en electrocución.
- Nunca remueva el cordón eléctrico, esté seguro de tomar el enchufe; nunca tire el mismo cordón. Operando el aparato con un dañado cordón eléctrico causaría incendio ó electrocución.
- Al remover el aparato, esté seguro de remover el cordón eléctrico del toma de pared. Moviendo el aparato con el cordón eléctrico conectado al toma resultaría en cordón eléctrico dañado, con incendio ó electrocución. Al remover el cordón eléctrico, esté seguro de tomar el mismo enchufe para tirarlo.
- El toma de soquete debe quedar instalado cerca del equipo y con fácil acceso.
- Evite instalar el aparato en lugares húmedos ó polvorientos, lugares expuestos a directo rayo del sol, cerca de calefactores, ó en lugares generando humo negro ó vapor, ya que resultaría en incendio ó electrocución.

Al tener el receptor en uso

- Nunca coloque objetos pesados, ya que causaría caído ó quiebra del aparato resultando en herida personal y/ó daños en material. Además, el mismo objeto puede caer y causar herida y/ó daño.
- Esté seguro de tener el control de volumen al mínimo antes de apagar el aparato. El ruido de volumen alto al prender el aparato perjudicaría los oídos.
- Nunca abra la caja del aparato por alta temperatura de las piezas en el aparato, ya que causaría quemadura al tocarlas. Refiera a todo servicio del agente TOA más cercano de Ud.
- Use el dedicado adaptador AC para el aparato. Note que el uso de otro adaptador causaría incendio.
- En caso de polvo acumulado en el enchufe ó en el toma AC de pared, incendio resultaría. Lo limpie periódicamente. Además, inserte el enchufe en el toma de pared firmemente.
- Apague el aparato y saque el enchufe del toma AC por seguridad al limpiar ó dejar el aparato sin uso por 10 ó más días, incendio ó electrocución resultaría.
- Calesquier modificaciones en este aparato no aprobadas por la TOA Corporation anularían la autoridad otorgada al usuario para usar este equipo.
- La operación de este aparato queda sujeta a las 2 siguientes condiciones: (1) que este aparato no cause interferencia, y (2) que este aparato deba aceptar toda interferencia, incluyendo interferencia que cause indeseados usos del aparato.

Al tener el micrófono ó el transmisor en uso

- Cuando el aparato queda sin uso por 10 ó más días, esté seguro de remover la batería del aparato, ya que el escape de la batería causaría herida personal ó contaminación del ambiente.
- Esté seguro de observar las siguientes precauciones del manejo para evitar incendio ó herida personal por escape ó explosión de la batería.
 - No clasifique, desarme la batería en incendio ó calor.
 - No solde la batería directamente.
 - Esté seguro de usar la específico nota de batería.
 - Siga la correcta polaridad (orientación positiva y negativa) al insertar una batería en el aparato.
 - Evite lugares expuestos al directo rayo del sol, alta temperatura y alta humedad al guardar baterías.
- Cuando la batería se pone desinflada ó con escape, no la siga usando y cambia otra nueva inmediatamente

CAUTELA AL USUARIO: Cambios ó modificaciones no expresamente aprobados por la autoridad responsable anularían la autoridad del usuario de usar el equipo.

2. DESCRIPCIÓN GENERAL

El Sistema de Micrófonos Inalámbricos de serie S4 de TOA TRANTEC viene diseñado para usar en la banda de frecuencia UHF y es apto para las aplicaciones de vocal ó habla reforzado. Cuenta con un circuito para minimizar la influencia del ruido ambiental.

S4.04: 4 canales a seleccionar por el usuario que se puedan usar simultáneamente.

S4.10: Hasta 16 canales a seleccionar por el usuario que se puedan usar simultáneamente. (dependiendo de la región)

Los inalámbricos micrófonos portátiles HDX de serie S4 son micrófonos vocales, usando una fina, poderosa y dinámica unidad de micrófono.

El inalámbrico transmisor de cinturón BTX de serie S4 puede usar los micrófonos lavalier de serie TRANTEC y audífonos .

El inalámbrico receptor de serie S4 es un receptor de diversidad para minimizar tensiones de desenganche.

3. CARACTERÍSTICAS

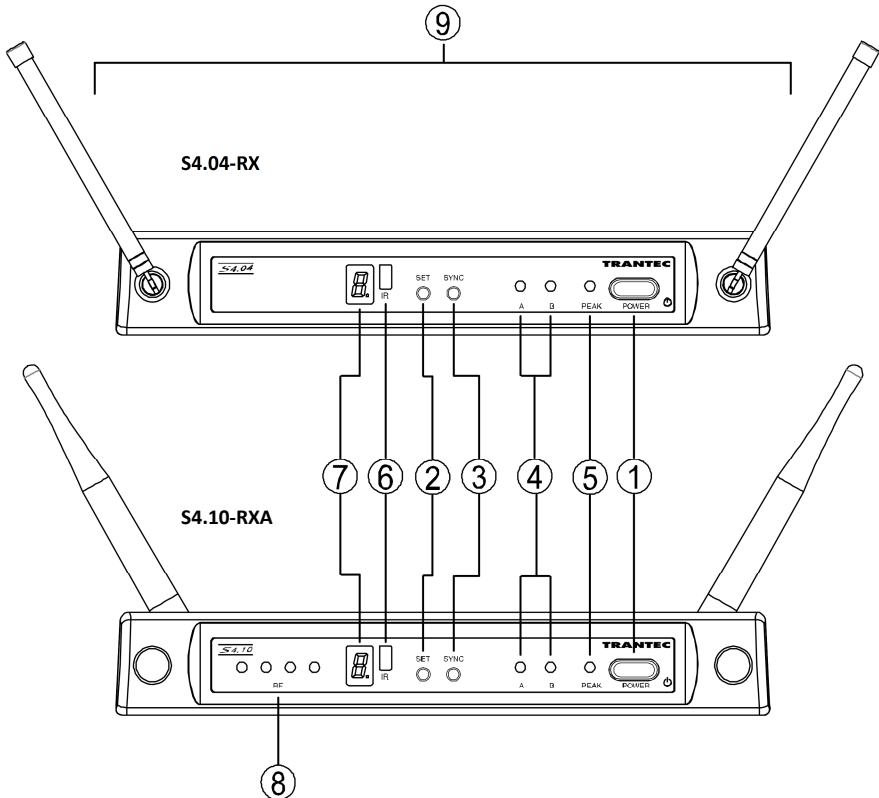
- Un optimizado PLL-sintetizador minimiza el movimiento de frecuencia de oscilación resultando de la fluctuación de temperatura ambiental ó voltage.
- Las lámparas eléctricas/de batería indican el consumo de batería para prevenir malfuncionamiento en el aparato cuando el nivel de la batería disminuye extraordinariamente.
- Hasta 10 horas de uso continuo con 1 batería alcalina AA.
- La S4 serie HDX usa una incorporada antena.
- El estado de consumo de batería puede aparecer en el indicador del receptor S4 serie RX.
- Rápida instalación de escandido de canal y auto canal.
- Instalación de auto canal infrarrojo.
- Tamaño compacto y alta fiabilidad.

4. PRECAUCIONES EN EL USO

- No exponga el aparato en lluvia ó un ambiente donde pueda quedar rociado por agua u otros líquidos, ya que resultaría en fallas del aparato.
- Nunca abra ni remueva la caja del para modificar el aparato. Refiera todo servicio a su concesionario TOA más cercano.
- No deje caer al aparato en el piso ni chocarlo contra objetos duros, ya que el aparato pueda fallar.
- No coloque el aparato en lugares de alta temperatura (ex. En un carro con poca ventilación en verano) ó alta humedad, ya que el aparato pueda fallar.
- No use el aparato en lugares donde esté expuesto al agua del mar.
- Evite usar un teléfono móvil cerca de un micrófono inalámbrico en uso. El ruido se podría captar.
- Al instalar el aparato, lo aleje lo más posible de lámparas fluorescentes, equipos digitales, computadoras personales y otros equipos que generen ruido de alta frecuencia.
- Para limpiar el aparato, use un paño seco. Cuando el aparato está muy sucio, lo limpie suavemente con un paño humedecido con un diluido detergente neutral, y luego limpiarlo con un paño seco. Nunca use bencina, disolvente ó toallas con detergentes químicos.
- Al usar 2 ó más inalámbricos micrófonos, los maneje por lo menos 50cm de cada uno para evitar malfuncionamiento ó ruido.
- Mantenga los inalámbricos micrófono por lo menos 3m de la antena receptora. Usando el micrófono próximo a la antena resultaría en malfuncionamiento ó ruido.

5. NOMENCLATURA Y FUNCIONES

Receptor: S4.04-RX & S4.10-RXA
[Frente]



1. Interruptor

Presione este interruptor para prender, y lo presione otra vez para apagar el aparato.

2. Selector de canal [SET]

Usado para seleccionar el canal receptor (frecuencia). (La frecuencia del receptor debe ser idéntica a la del micrófono.)

3. Perilla de sincronización infrarroja [IR] [SYNC]

Presione este interruptor para trasladar la frecuencia al transmisor.

4. Lámparas receptoras [A, B]

La lámpara de A (izquierda) ó B (derecha) se pone amarilla cuando el receptor iguala al signo de radio del transmisor.

5. Lámpara AF pico [PEAK]

La lámpara se pone roja cuando el nivel de salida del receptor alcanza el punto de 3 dB debajo del nivel de recorte.

6. Puerta infrarrojo [IR] [IR]

Transmite el signo infrarrojo al presionar la perilla SYNC.

7. Pantalla LED numérico

Indica el actual número de canal en estado normal.

En el modo de programación, el indicado número de canal parpadea hasta registrado.

8. Medidor de nivel de signos RF (S4.10-RXA solamente)

Indica el nivel de signo RF.

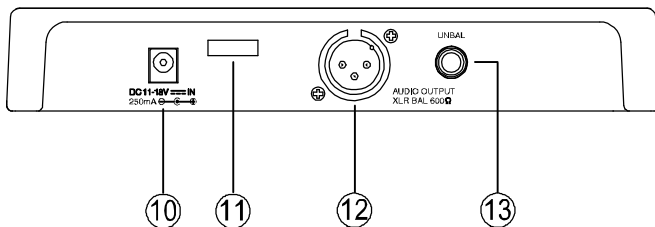
9. Antenas (S4.04-RX solamente)

Levante las 2 antenas en 45° hacia fuera de una línea vertical.

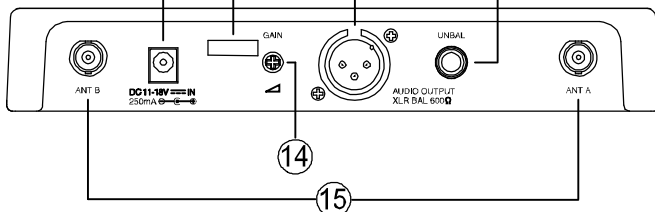
Para llevar el aparato, esté seguro de doblar las 2 antenas para abajo para prevenir escapes.

[Tras]

S4.04-RX



S4.10-RXA

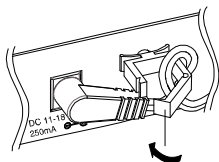


10. Enchufe hembra de entrada DC

Conecte el cable eléctrico del adaptador AC disponible a este enchufe hembra.

11. Gancho de cable

Enganche el cable eléctrico en esta pieza.



12. Salida AF

Equilibrado XLR enchufe hembra, punta macho (Polo #2: Caliente).

S4.04-RX: -20 dBu (Máximo)

S4.10-RXA: 16 dBu (Máximo)

13. Salida AF

Desequilibrado enchufe hembra fono

S4.04-RX y S4.10-RXA: 10 dBu (Máximo)

14. Control de volumen (S4.10-RXA solamente)

Ajuste el nivel de salida.

15. Entrada de antena A, B (S4.10-RXA solamente)

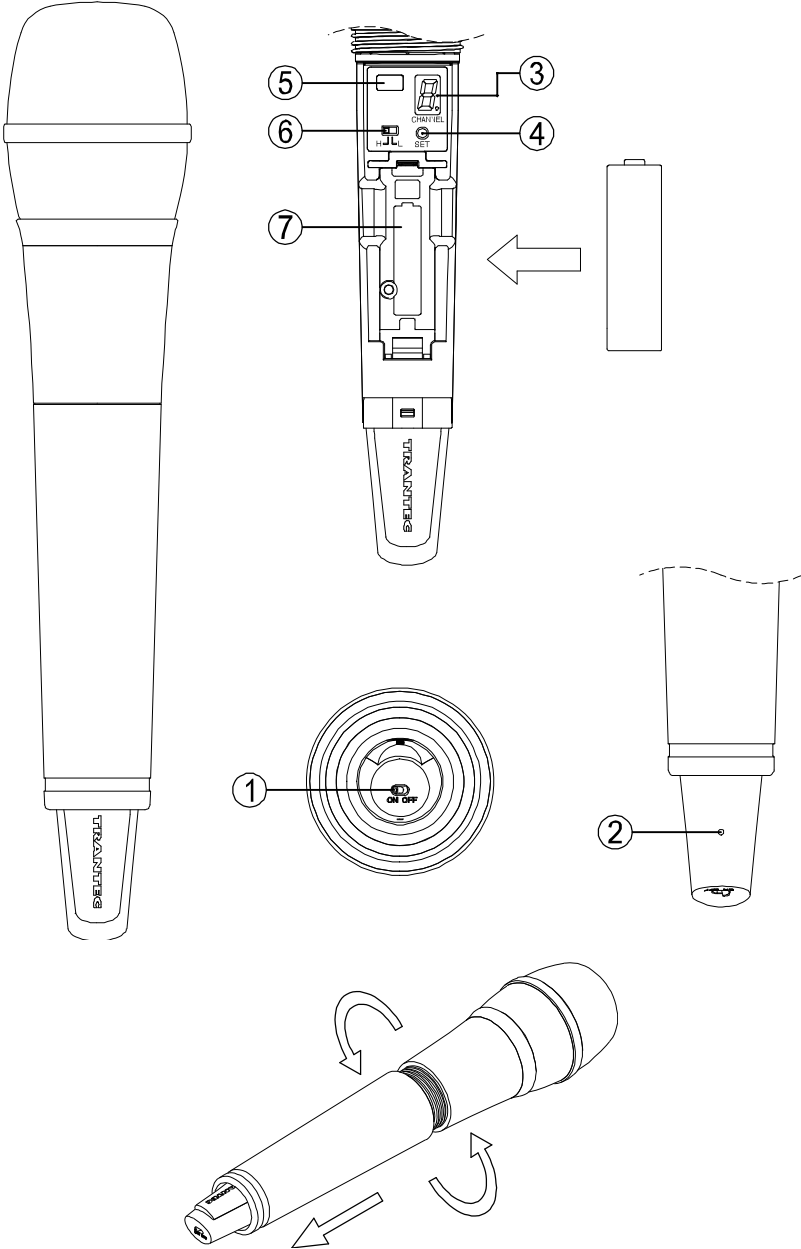
Conectores BNC para antenas

Alimentación fantasma para la antena externa (opcional)

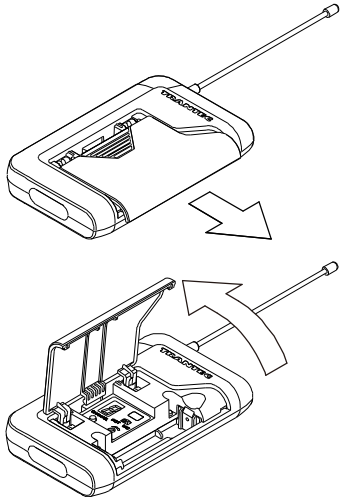
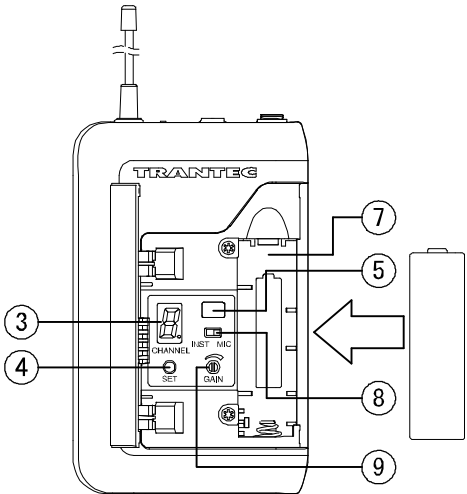
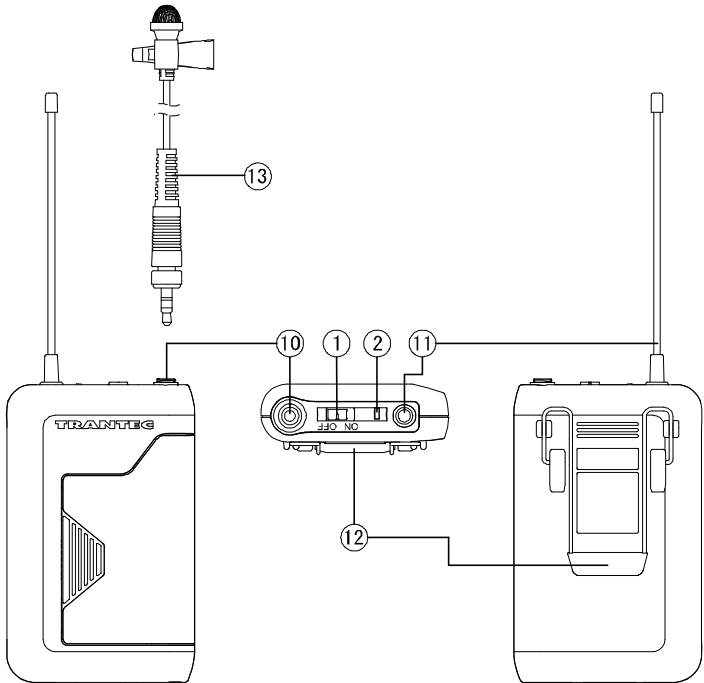
Para el sistema inalámbrico cubriendo un área relativamente angosta, use las 2 antenas de vara disponibles, que se deben instalar en 45° hacia fuera de una línea vertical.

Nota El aumento del receptor S4.10-RXA es continuamente ajustable. En caso de muy alto el signo del receptor, retrocede su mezclador/amplificador. Un signo muy bajo resultaría en aumento en el ruido de fondo en general. Controle el AF pico LED en el receptor y ajuste el nivel de volumen para lograr mejor calidad de signo.

Micrófonos portátiles: S4.04-HDX & S4.10-HDX



Transmisor de Cinturón: S4.04-BTX & S4.10-BTX



1. Interruptor

Deslice este interruptor hacia "ON" para prenderlo, y lo deslice otra vez hacia "OFF" para apagarlo.

2. Lámpara energía eléctrica/batería

Una luz verde LED se prende mientras la batería tenga suficiente capacidad. Cuando la batería tiene la capacidad baja, la luz verde LED empieza a parpadear.

3. Pantalla numérica LED

Indica el actual número de canal en estado normal.

En modo de programación, el indicado número de canal parpadea hasta registrado.

4. Selector de canal [SET]

Utilizado para seleccionar de canal (frecuencia). (La frecuencia debe ser idéntica a la del receptor.)

5. Puerta Infrarroja (IR)

Recibe el signo infrarrojo del receptor.

6. Interruptor PAD (S4.10-HDX solamente)

Este interruptor se usa para ajustar de sensibilidad del micrófono. La sensibilidad se disminuye con "H" (0dB), "L" (-10dB).

Nota Nunca coloque la antena del transmisor directamente contra el cuerpo ó la mano. Esto causará el efecto de reducir el alcance de uso considerablemente.

7. Caja de batería

Inserte una Batería AA siguiendo las indicaciones (+) y (-) en el caja de batería.

Nota: Apague the interruptor.

HDX: Tenga el micrófono y le da vueltas al asidero de micrófono en el sentido contrario de las agujas del reloj para removerlo.

BTX: Deslice la tapa de batería en la dirección indicada por la flecha entretanto presionando la tapa con un dedo pulgar y deprimiéndolo hacia arriba.

8. MIC/Interruptor instrumento (BTX solamente)

Deslice este interruptor hacia "MIC" para conectar el micrófono, y lo deslice hacia "INST" para conectar el instrumento.

9. Control de nivel audio (BTX solamente)

Ajuste de nivel de control audio usando el destornillador disponible. La sensibilidad del transmisor aumenta mientras el control se da vuelta en el sentido del reloj, y disminuye mientras el control se da vuelta en el sentido contrario de las agujas del reloj.

10. Conector de entrada (BTX solamente)

Con el socket de 3.5mm de enchufe hembra, conecte el micrófono ó el cable de instrumento.

11. Antena (BTX solamente)

12. Clip (BTX solamente)

Pique el transmisor a una cinta con el clip del transmisor. Es mejor presionar la cinta contra la base del clip del transmisor.

13. Micrófono (BTX solamente)

Nota: Guíe el cable del micrófono para evitar indebida tensión de fricción. Trate y aleje el cable del micrófono de la antena.

6. NUMERACIÓN MANUAL DE CANAL

Paso 1. Presione la perilla SET por unos 3 segundos hasta que el exhibido número de canal parpadea.

Paso 2. Seleccione el deseado número de canal con la perilla SET y una vez el deseado número se logra, suelte la perilla SET. Luego de unos 5 segundos, el receptor automáticamente programa de canal y el parpadeando número vuelve a quedar fija.

Nota Continúa ó cada depresión de la perilla SET permite que la pantalla cicle por el número de canales.

En el lado del receptor, cuando el punto LED por el número de canal LED parpadea en seleccionar de número de canal, esto indica que el canal ya está ocupado.

Nota Esté seguro de que el transmisor sea idéntico al receptor en número de canal. En caso de que la programación del micrófono sea diferente de la del receptor, el receptor no recibe el signo de radio del transmisor.

En el lado del transmisor, el interruptor se prende, la pantalla del número de canal se prende por unos 20 segundos y luego la pantalla se apaga. Cuando la perilla SET se presiona en esta condición, la pantalla se prende por unos 20 segundos.



SET SYNC

CHANNEL



7. NUMERACIÓN DE CANAL POR SINCRONIZACIÓN INFRARROJA

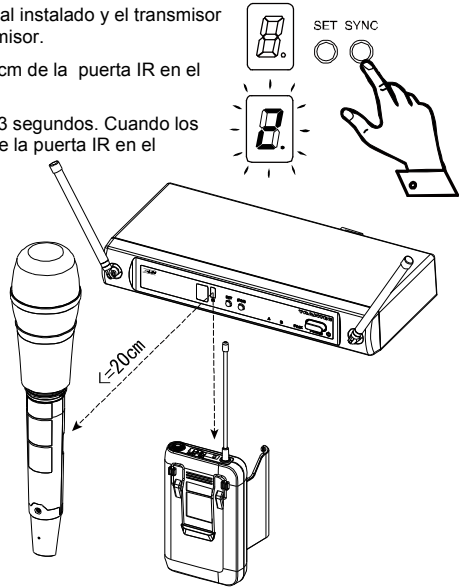
Paso 1. Confirme que el receptor tenga el número de canal instalado y el transmisor prendido, para abrir la caja de batería en el transmisor.

Paso 2. Tenga la puerta IR en el transmisor dentro de 20cm de la puerta IR en el receptor.

Paso 3. Presione la perilla SYNC en el receptor por unos 3 segundos. Cuando los datos del canal sean transmitidos exitosamente de la puerta IR en el receptor, el exhibido número de canal parpadea.

Paso 4. Cuando los números de canal sean sincronizados exitosamente entre el receptor y el transmisor, el exhibido número de canal en el transmisor parpadea por unos 3 segundos,

Nota En el lado del transmisor, incluso cuando la luz de la pantalla de número de canal se apaga, la pantalla se prende otra vez con la exitosa sincronización de IR.



8. ESCANDIDO DE CANAL

Paso 1. Presione la perilla SET y la perilla SYNC al mismo tiempo por unos 3 segundos.

El escandido de canal comienza, y un parado número de canal viene indicado parpadeando la pantalla de número de canal.

Paso 2. Luego de terminar el escandido de canal, los parados canales vienen exhibidos de turno.

Paso 3. Presione la perilla SET y la perilla SYNC al mismo tiempo, el receptor instala los parados canales automáticamente.

Nota Antes de empezar el escandido de canal, apague todos los transmisores y cualquier otro equipo que causaría interferencia durante el trabajo, para que sea detectado durante el escandido de canal.

De no haber parados canales, el número de canal viene exhibido parpadeando como "4".

Luego el canal antes de comenzar el escandido se instala.

Instalación de Múltiple Sistema

Instala un sistema a la vez, confirme que cada sistema tenga asignado un diferente canal, y lo deja prendido, de otra manera, los canales escandidos del otro receptor no serían detectados como ocupados.



9. ALARMA DE BATERÍA

• Cuando la capacidad de la batería en el correspondiente transmisor se pone baja, el punto LED del LED numérico en el receptor y el transmisor parpadea. Cambia la batería del transmisor.



10. INSTRUCCIONES DE USO

- La distancia de servicio del transmisor es de 3 – 100m. Cuando el usuario del transmisor mueve un a facilidad, retiros de signo (momentáneas pérdidas de recepción de signos) serán encontrados. Estos retiros son causados por el diseño ó material de arquitectura del edificio que bloqueen el paso ó reflejo del signo de radio. En este caso, el usuario necesita cambiar de lugar de mejor recepción de signos.
- Confirme la buena línea de vista entre el transmisor y el receptor. No tenga grandes obstrucciones (ex. Paredes de hormigón ó grandes obstrucciones de metal) entre el transmisor y el receptor. Además, aleje el receptor de metálicas vigas y obstrucciones, ya que afectarían desfavorablemente el estilo de tomada de antena e induce la interferencia.
- El apropiado uso de su sistema inalámbrico podrá ser interferido con otro sistema en uso en la misma frecuencia. En tales casos, cambia la frecuencia en uso de su sistema.
- Tenga el micrófono dentro de 20cm de la fuente de sonido. Mueva el micrófono a más cerca de un sonido más caliente y no tape la verja con la mano.
- Aleje su boca 15 – 20 cm del micrófono como precaución por mejor sonido. En caso de respuesta Omnidireccional, tomará sonidos de toda dirección. Es mejor tener el micrófono colocado más cerca de la fuente de sonido. Tenga cuidado en no tener su boca muy cerca del micrófono (dentro de 5cm), ya que eso perjudicaría la claridad de su palabra si Ud. habla en voz alta.
- En caso de audifono, ajustando el tubo, localice el micrófono con el parabrisas disponible en frente de su boca, y lo coloque 3 – 5cm alejado de su boca como precaución por mejor sonido. Cuando el micrófono queda muy cerca de su boca ó Ud. habla en voz alta, se perjudicaría la claridad de su palabra, y sería difícil que la gente oyera sus anuncios.

11. FALLAS Y SOLUCIONES

Tema	Condición	Solución
No sonido	Lámparas de recepción del receptor [A ó B] ó luz de nivel de signo RF.	Confirme las conexiones de todo sonido ó aumento del sistema Confirme el control de volumen del receptor
Sonido torcido	Lámpara pico AF [PICO] indica.	Confirme el aumento del transmisor ó PAD. Confirme el control de volumen del receptor. Confirme que el nivel de salida del receptor iguale al nivel de entrada del mezclador/amplificador.
Pobre alcance ó retiro de sonido	Lámparas de recepción del receptor [A y B] parpadeando ó luz del medidor de nivel de signo RF apagada.	El sistema debe estar instalado dentro del recomendado alcance. El transmisor debe ser usado en línea de vista del receptor. Revise el escandido de canal, confirme la fuente cercana de interferencia y cambia el el receptor y el transmisor a un diferente canal. Confirme la indicación de batería y cambia de batería del transmisor.

12. ESPECIFICACIONES

Sistema

Modulación	FM de banda ancha
Alcance de frecuencia	Banda UHF (506-538, 538-576, 576-603, 603-638, 638-671, 671-701, 720-758, 785-815, 819-832, 836-867, 925-937.5 MHz)
Frecuencias ajustables	Pasos 25 kHz
Canales interruptibles	S4.04:4 canales S4.10: hasta 16 canales (dependiendo de la región)
Canales operados simultáneamente	S4.04:4 Canales S4.10: hasta 16 canales (dependiendo de la región)
Tono piloto	32.768kHz
Total distorsión armónica	< 1 % @1kHz
Función	Información de IR sync, escandido de canal, duración de batería
Alcance dinámico	>96 dB(A)
Alcance de operación	Aprox. 100 m
Alcance de temperatura de operación	-10°C a +50° C

Nota: 506–603 MHz y 614–698 MHz para USA/Canadá, 614–698 MHz Para Brazil, 865–867 MHz para India, 925-937.5 MHz para Corea

TRANSMISOR

	S4.04-HDX, S4.10-HDX	S4.04-BTX, S4.10-BTX
Micrófono	Dynamic with cardioid pattern	TRANTEC serie lavalier y head set micrófono
Energía eléctrica RF	10 mW	10 mW
Respuesta Frecuencia Audio	80-15000 Hz	50-15000 Hz
Nivel audio de entrada	140 dB SPL (Máximo)	-6dBV (Máximo), mic aumento 0dB
Duración de batería	Aprox. 10 horas	Aprox. 10 horas
Fuente de energía	1 AA size batería alcalina, 1.5 V	1 batería alcalina AA, 1.5 V
Terminado	Resina, capa	Resina, capa
Dimensiones*	250×φ50 mm	62 (A)×100 (A)×25 (F) mm (with clip)
Peso*	245 g (con batería)	85 g (con batería)

RECEPTOR S4.04RX, S4.10-RXA

Diversidad de recepción	Diversidad de antena
Sensibilidad	10uV en 45dBA S/N
Aplastado (SQ)	SQ de tono, SQ de portador, SQ de ruido
Respuesta de Frecuencia Audio	50-15000 Hz
Nivel de Salida Audio (Máximo)	S4.04-RX Equilibrado (soquete XLR):-20 dBu Desequilibrado (1/4" soquete de sobrecubierta):10 dBu S4.10-RXA Equilibrado (soquete XLR):16 dBu Desequilibrado (1/4" soquete de sobrecubierta):10 dBu
Fuente de energía	11 - 18 VDC 300 mA
Dimensiones*	215 (A)×39 (A)×102 (F) mm (sin antena y BNC)
Peso *	480g

0dBu=0.775V

Nota: El diseño y especificaciones vienen sujetos a cambio sin aviso por mejoramiento.

• Accesorio

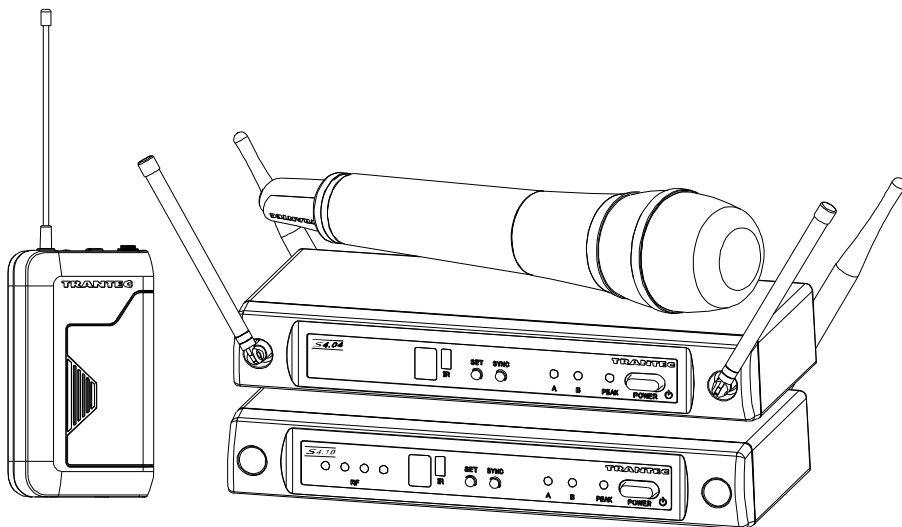
Adaptador AC

Portamicrófonos (Para micrófonos portátiles)

Destornillador (Para la programación del transmisor de cinturón)

SISTEMA DE MICROFONE SEM FIOS

Série S4.04/S4.10



CONTEÚDO

1. PRECAUÇÕES DE SEGURANÇA
2. DESCRIÇÃO GERAL
3. CARACTERÍSTICAS
4. PRECAUÇÕES DE MANUSEIO
5. NOMENCLATURA E FUNÇÕES
6. NUMERAÇÃO MANUAL DE CANAL
7. DEFINIÇÃO DO NÚMERO DE CANAL POR SINCRONIZAÇÃO INFRAVERMELHA
8. EXAME DE CANAL
9. ALARME DE PILHA
10. INDICAÇÕES DE OPERAÇÃO
11. LOCALIZADOR E REPARADOR DE DEFEITOS
12. ESPECIFICAÇÕES

Obrigado por adquirir o Sistema de microfone sem fios série TOA's TRANTEC S4. Siga cuidadosamente as instruções dadas neste manual para garantir o funcionamento prolongado e sem problemas do produto.

1. PRECAUÇÕES DE SEGURANÇA

- Certifique-se de ler atentamente as instruções desta seção antes de usar o produto.
- Certifique-se de observar as instruções deste manual, tais como as convenções de símbolos e mensagens de segurança, que são consideradas como precauções muito importantes.
- Nós também recomendamos que você guarde este manual de instruções à mão para futuras consultas.

Convenções de símbolos e mensagens de segurança

Os símbolos e mensagens de segurança são usados neste manual para prevenir ferimentos pessoais e danos materiais que poderiam resultar de um manuseio incorreto. Antes de operar o produto, leia este manual para entender os símbolos e mensagens de segurança, de forma que fique você totalmente consciente sobre os possíveis riscos e perigos.



ADVERTÊNCIA

Indica uma situação potencialmente perigosa que, se não se for evitada, poderia resultar na morte ou em sérios ferimentos.

Quando a instalação do receptor

- Não exponha o aparelho à chuva ou um ambiente onde ele pode ser salpicado por água ou outros líquidos, como isso pode resultar em incêndio ou choque elétrico.
- Utilizar a unidade apenas com a voltagem especificada na unidade. Com uma tensão maior que especificado pode resultar em incêndio ou choque elétrico.
- Não corte, dobra, caso contrário ocorrerão danos nem modifique o cabo da fonte de alimentação. Ademais, evite usar o cabo de alimentação na proximidade de aquecedores, e nunca coloque objetos pesados -- incluindo a própria unidade -- sobre o cabo de alimentação, como isso pode resultar em incêndio ou choque elétrico.
- vite a instalação ou a montagem da unidade em lugares instáveis, como em uma ofegante tabela ou uma superfície inclinada. Isso pode resultar na queda da unidade para baixo e causando ferimentos pessoais e/ou danos materiais.
- Para prevenir choques de relâmpago, instale a unidade a pelo menos cinco metros de distância de uma haste de relâmpagos, e ainda dentro da faixa de protecção (ângulo de 45°) de conductor de raios. Choques de relâmpago podem provocar um incêndio, choques elétricos ou ferimentos pessoais.
- Como a unidade foi concebida para utilização exterior, não instale no exterior. A instalação da unidade no exterior, o envelhecimento de peças leva a unidade a cair, resultando em ferimentos pessoais. Além disso, quando fica molhado com a chuva, existe um perigo de choque elétrico.

Durante o uso do receptor

- Em caso de as seguintes irregularidades durante a utilização, desligue imediatamente a fonte, desconecte o plugue de alimentação da tomada CA e entre em contato com o seu concessionário mais próximo a uma. Fazer não mais nenhuma tentativa para operar a unidade deste condição, como isso pode causar incêndio ou choque elétrico.
 - Se você detetacta fumo ou um cheiro estranho vindo da unidade.
 - Se água ou qualquer outro objecto metálico recebe na unidade
 - Se a unidade cair ou a unidade quebra
 - Se o cabo de alimentação está danificado (Exposição do núcleo, desconexão, etc.)
 - Mal função (Nenhum tom son.)
- Não coloque caras, taças, ou outros recipientes de líquido ou objetos metálicos na parte superior da unidade. Se eles acidentalmente derramará na unidade, iso pode provocar um incêndio ou choque elétrico.
- Não toque a antenas da unidade durante o trovão e relâmpagos, iso pode provocar um incêndio ou choque elétrico.

Durante o uso do Microfone ou o Transmisor

- Para prevenir a onda eletromagnética do mal que influenciam o equipamento medico, certifique-se de desligar a energia da unidade quando sua colocação em estreita proximidade com o equipamento medico.



ATENÇÃO

Indica uma situação potencialmente perigosa que, de maltratar, resultaria em moderados ou menores ferimentos pessoais, e/ou danos materiais.

Instalação do receptor

- Nunca conecte nem remova o plugue de alimentação com as mãos molhadas, isto pode provocar um incêndio ou choque eléctrico.
- Quando desconectar o cabo de alimentação, certifique-se de tomar o plugue de alimentação; nunca puxe o mesmo cabo. A operação da unidade com um cabo de alimentação danificado pode provocar um incêndio ou choque eléctrico.
- Para mover a unidade, certifique-se de remover a fonte de alimentação AC da tomada de parede. Mover a unidade com o cabo de alimentação conectado a tomada pode causar danos à fonte de alimentação, resultando em um incêndio ou choque eléctrico. Ao remover o cabo de alimentação, certifique-se de manter o plugue para puxar.
- A tomada deve estar instalada próxima do equipamento e deve ser facilmente acessíveis.
- Evite instalar a unidade em ambientes úmidos ou empoeirados lugares, lugares expostos à luz directa do sol, perto de aquecedores, ou na histórica gerando fumaça fuliginoso ou vapor, isto pode provocar um incêndio ou choque eléctrico.

Durante uso do receptor

- Não coloque objetos pesados sobre a unidade como esta pode resultar em ferimentos pessoais e/ou danos materiais. Ademais, o próprio objeto pode cair e causar ferimentos e/ou danos.
- Certifique-se de ter o controle de volume no mínimo nível antes de ligar o produto. Barulho produzido em volume alto quando a alimentação é ligada pode prejudicar a audição.
- Nunca abra a unidade caso como existem peças de alta temperatura no interior da unidade, que pode causar uma queimadura. Remeta todas as reparações para o seu concessionário mais próximo de TOA.
- Utilizar o adaptador de AC dedicada para a unidade. Observe que o uso de outro adaptador pode provocar um incêndio.
- Se a poeira se acumula no plugue de alimentação da parede tomada AC pode causar um incêndio. Limpe periodicamente. Ademais, insira o plugue na tomada da parede de forma segura.
- Desligar o produto, e desconecte o plugue de alimentação da tomada AC por segurança purposes para limpar. Deixando a unidade sem uso por 10 ou mais dias. Incêndio ou choque eléctrico pode resultar.
- Toda modificação neste produto sem ser aprovada pela TOA Corporation anularia a autoridade ao usuário de usar este equipamento.
- A operação deste produto queda sujeita as seguintes condições: (1) que este produto não cause interferência, e (2) que este produto deva aceitar toda interferência, incluindo interferência que causaria indesejadas operações do produto.

Durante uso do Microfone ou o Transmisor

- Quando a unidade tenha sem uso por 10 ou mais dias, certifique-se de retirar a pilha da unidade, como o escape da pilha leakage causaria ferimentos pessoais ou contaminação ambiental.
- Certifique-se de observar as seguintes precauções de manuseio para prevenir incêndio ou ferimentos pessoais por escape ou explosão da pilha.
 - Não cortar, desarmar nem colocar a pilha em calor ou incêndio.
 - Não soldar a pilha diretamente.
 - Certifique-se de usar o especificado tipo de pilha
 - Note correta polaridade (lados positivo e negativo) al colocar uma pilha no produto.
 - Evite lugares expostos à luz direta do sol, alta temperatura e alta umidade para guardar pilhas.
- Quando la pilha converta-se inflada ou com escape, descontinue usando-a e cambia-a com outra nova imediatamente

PRECAUÇÃO AO USUÁRIO: Alterações ou modificações não aprovadas expressamente pelo responsável podem anular a autoridade ao usuário de operar este equipamento.

2. DESCRIÇÃO GERAL

O Microfone Sem Fios te desenhado pelo uso na banda de frequência UHF, e adequado para as aplicações vocal ou de reforço de fala. Te circuitos para minimizar a influência do ruído ambiental.

S4.04:4 Canais por seleccionar pelo usuário pela operação simultânea.

S4.10:Até 16 Canais por seleccionar pelo usuário pela operação simultânea. (dependendo da região)

O microfone portátil sem fios S4 série HDX é um microfone vocal usando uma fina, poderosa e dinâmica unidade de microfone.

O transmissor sem fios de cinta S4 série BTX te usado microfones e audifones de TRANTEC série lavalier.

O receptor sem fios S4 série RX é um receptor de diversidade par minimizar desligamentos.

3. CARACTERÍSTICAS

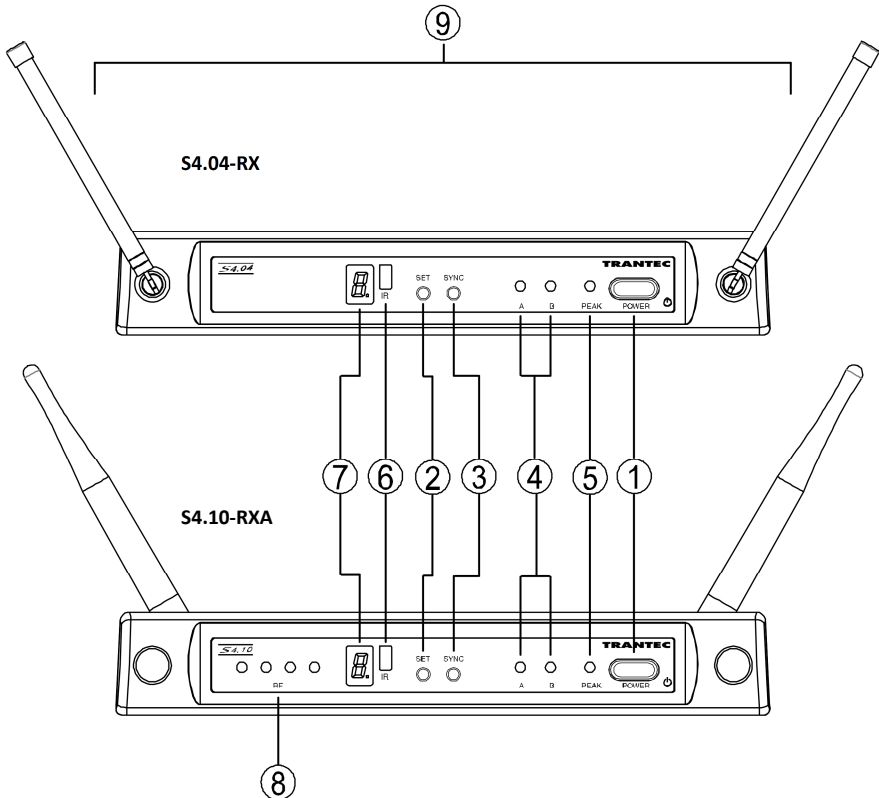
- Um sintetizador PLL otimizado minimize a variação da frequência de oscilação resultante da temperatura ambiental ou da flutuação de voltagem.
- As luzes de alimentação/pilha indicam o consume da pilha para prevenir mau funcionamento do produto quando o nível de energia da pilha baixar significativamente.
- Até 10 horas de uso contínuo com uma pilha alcalina AA.
- O S4 série HDX emprega uma antena embutida.
- O estado de consume da pilha pode ser exibido no indicador do sintonizador da S4 série RX.
- Rápido exame de canais e automática instalação de canal.
- Automática instalação infravermelha de canal.
- Compacto tamanho e alta confiabilidade.

4. PRECAUÇÕES RELATIVAS AO MANUSEIO

- Não exponha o produto a chuva ou um ambienteem que possa haver respingos de água u outros líquidos, pois isso pode danificar o produto.
- Nunca abra nem retire o gabinete do equipo para modificar o produto. Solicite qualquer reparo ao seu revendedor TOA mais próximo.
- Tome cuidado para não derubar o produto no chão nem o bata contra um objeto duro, pois isso pode danificar o produto.
- Não coloque o equipamento em lugares de alta temperatura (ex. Em um carro ml ventilado no verão) ou alta umidade, pois isso pode danificar o produto.
- Não use o produto em lugares em que ele fique exposto à água do mar.
- Evite usar um celular perto do microfone sem fios em uso. Pode ocorrer a captação de ruído.
- Pela instalação, afaste de lâmpadas fluorescentes, equipamentos digitais, computadoras pessoais e outros equipamentos que gerem ruído de alta frequência.
- Para limpar, use um pano seco. Quando o produto ficar muito sujo, limpe-o com um pano ligeiramente seco. Nunca use bencina, diluente ou toalha de limpeza tratada quimicamente.
- Quando usar dois ou mais microfones sem fios, mantenha-os pelos menos 50cm afastados um do outro para evitar falhas ou ruído.
- Mantenha o microfone pelos menos 3m afastado da antena receptora. Usar o microfone muito próximo da antena pode provocar falhas ou ruído.

5. NOMENCLATURA E FUNÇÕES

Receptor: S4.04-RX & S4.10-RXA
[Frente]



1. Botão liga/desliga

Presione este botão para ligar, e pressione-o outra vez para desligar.

2. Interruptor de definição de canal [SET]

Usado para seleccionar de canal receptor (frequência). (A frequência receptora deve ser idêntica à do microfone.)

3. Interruptor de sincronização infravermelha (IR) [SYNC]

Presione este botão para trasladar a frequência ao transmissor.

4. Luzes receptoras [A, B]

A luz de A (esquerda) ou B (direita) fica amarelo quando o receptor iguala um sinal de rádio do transmissor.

5. Luz pico AF [PEAK]

A luz vermelha indica o nível de saída do receptor ao ponto de 3 dB abaixo do nível de corte.

6. Porta infravermelha (IR) [IR]

Transmite o sinal infravermelho com o botão SYNC.

7. Pantalha numérica LED

Indica o número do canal actual em estado normal. No modo de instalação, o indicado número de canal reflete até registrado.

8. Medidor de nível de canal RF (S4.10-RXA somente)

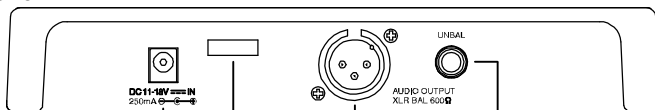
Indica o nível de sinal RF.

9. Antenas (S4.04-RX somente)

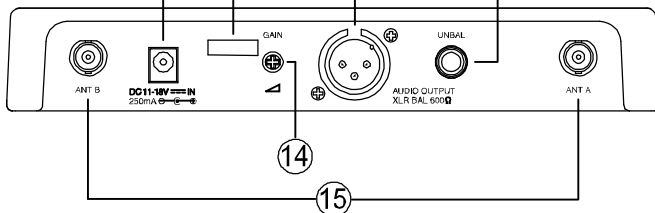
Levanta as duas antenas em 45° de fora de uma linha vertical.

Quando leva o produto, certifique-se de dobrar as duas antenas abaixo para prevenir quebras.

S4.04-RX



S4.10-RXA

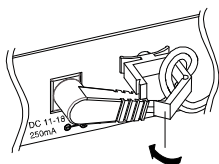


10. Suporte de entrada DC

Conecte o cabo elétrico do adaptador AC fornecido a este suporte.

11. Suporte de cabo

Enganche o cabo elétrico nesta peça.



12. Saída AF

Equilibrado suporte XLR, tipo macho (Pino #2: Quente).

S4.04-RX: -20 dBu (máximo)

S4.10-RXA: 16 dBu (máximo)

13. Saída AF

Desequilibrado suporte de fone

S4.04-RX e S4.10-RXA: 10 dBu (máximo)

14. Controle de volume (S4.10-RXA somente)

Ajuste o nível de saída.

15. Entrada de antena A, B (S4.10-RXA somente)

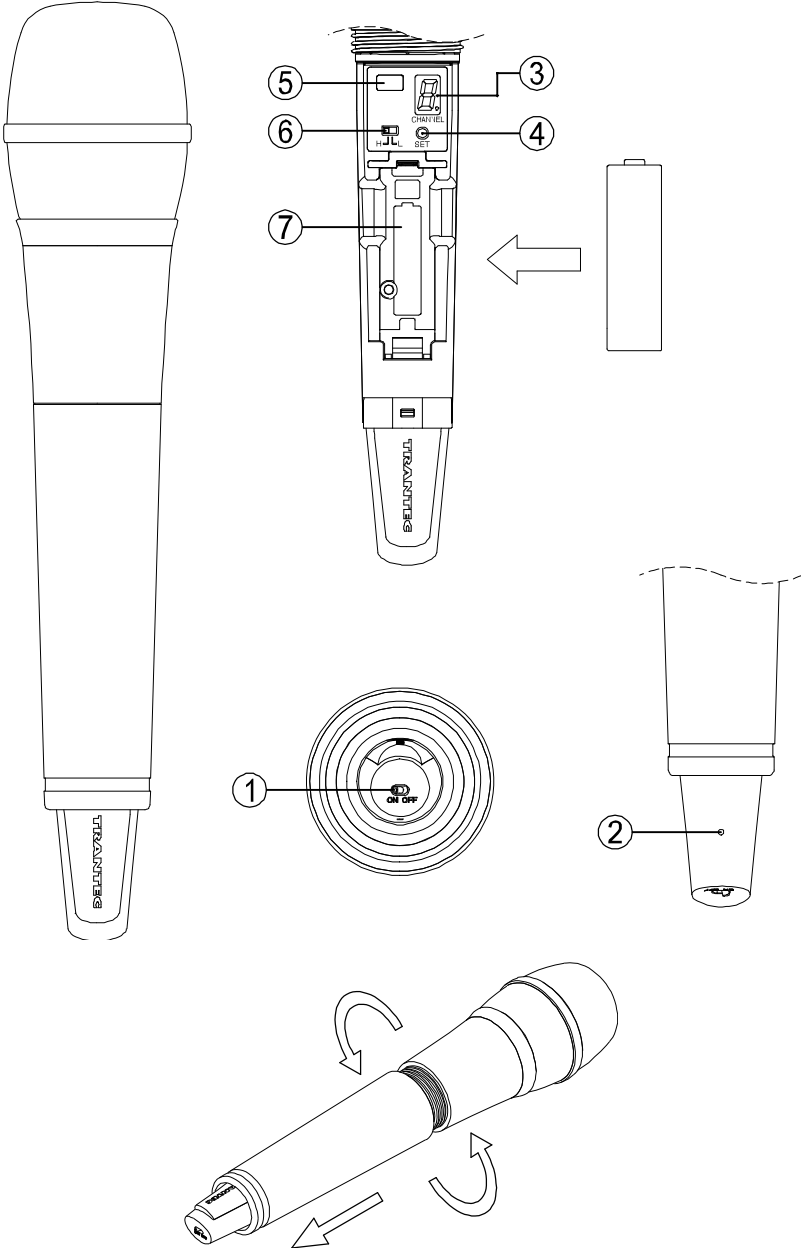
Conectores BNC para antenas

Alimentação fantasma pela antena externa (opcional)

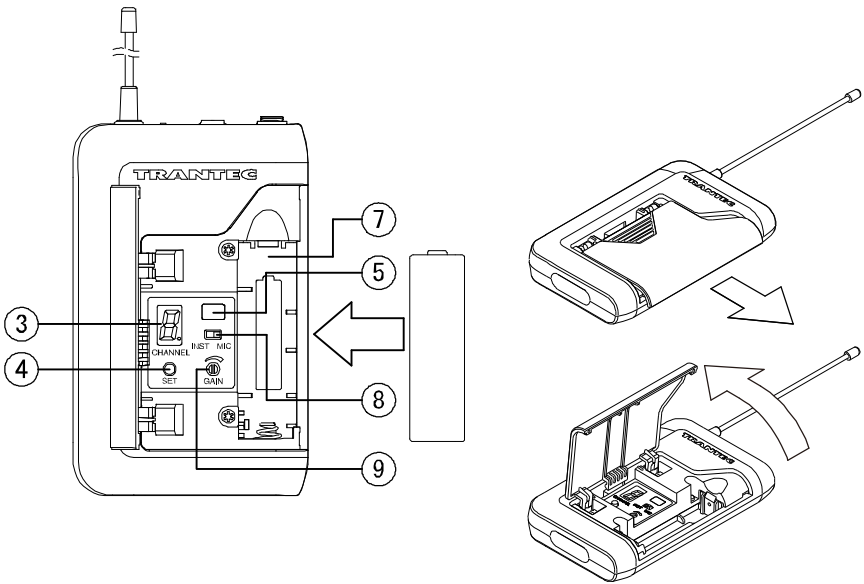
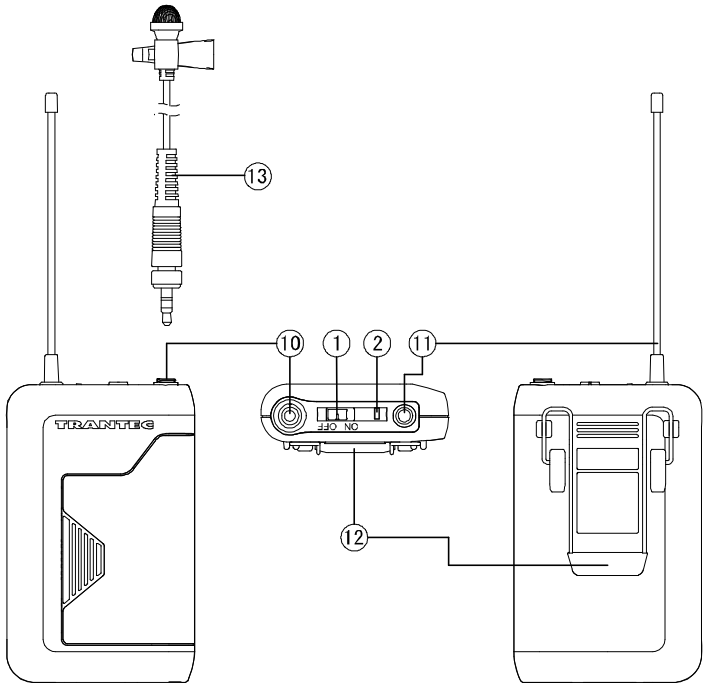
Pelos sistema sem fios cobrindo uma relativamente estreita área, use as duas antenas de varinha fornecidas, que devem ter instaladas em 45°for a de uma linha vertical.

Sugestão O aumento do receptor S4.10-RXA é continuamente ajustável. Em caso de muito alto o sinal do receptor, torcerá seu mezclador/amplificador. Em caso de muito baixo o sinal, resultará em aumento em ruído de fundo em geral. Observe o AF pico LED do receptor, e ajuste o controle de volume pela melhor qualidade de sinal.

Microfone portátil: S4.04-HDX & S4.10-HDX



Transmisor de cinta: S4.04-BTX & S4.10-BTX



1. Botão

Deslice este botão "ON" para ligar, e deslize-o outra vez "OFF" para desligar.

2. Luz alimentação/pilha

Uma luz verde LED com suficiente capacidade de pilha. Quando a pilha tenha baixa capacidade, a luz verde LED faz brilha.

3. Pantalha numérica LED

Indica o número do canal atual em estado normal.

No modo de instalação, o indicado número de canal reflete até registrado.

4. Interruptor de definição de canal [SET]

Usado para seleccionar de canal receptor (frequência). (A frequência receptora deve ser idêntica á do microfone.)

5. Porta de sincronização infravermelha (IR)

Recebe o sinal infravermelho do receptor.

6. Botão PAD (S4.10-HDX somente)

Este botão é usado pelo ajuste da sensibilidade de microfone. A sensibilidade te diminuída com "H" (0dB), "L" (-10dB).

Nota Nunca coloque a antena do transmissor diretamente contra o corpo ou a mão. Isto reduziria a extensão de operação consideravelmente.

7. Compartimento de pilha

Insera uma pilha AA pilha segundo as indicações (+) e (-) no compartimento de pilha.

Nota: Desligado.

HDX: Tome o microfone e rode o gripe do microfone à esquerda para retirar-o.

BTX: Deslice a tampa de pilha no sentido indicado pela flecha pressionando a tampa com um polegar e acima.

8. Botão MIC/Instrumento (BTX somente)

Deslice este botão em direção a "MIC" para conectar o microfone, e deslize-o em direção a para conectar o instrumento.

9. Controle de nível audio (BTX somente)

Ajuste o control de nível audio usando a fornecida chave de fenda. A sensibilidade do transmissor aumenta com o controle em direção a direita, e descrece em direção a esquerda.

10. Conector de entrada (BTX somente)

Soquete de suporte de 3.5mm, conecte o cabo do microfone ou o instrumento.

11. Antena (BTX somente)

12. Clip (BTX somente)

Grampee o transmissor a um cinta pelo clip do transmissor. É melhor ter o cinta pressionado contra da base do clip do transmissor.

13. Microfone (BTX somente)

Nota: Guie o cabo do microfone para evitar indevida mancha por fricção. Trate e mantenha o cabo do afastado da antena.

6. NUMERAÇÃO MANUAL DE CANAL

Passo 1. Presione o botão SET por 3 segundos até que o exibido número de canal lampeje.

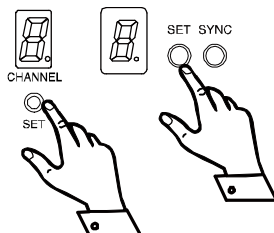
Passo 2. Selecione o desejado número de canal com o o botão SET, e quando tenha o desejado número de canal, liberte o botão SET. Depois de 5 segundos, o receptor automaticamente programa o canal e o número lampejando converte-se fixo.

Sugestão Continua ou separada depressão do botão SET faz que a pantalha cycle pelos númeroa de canal.

No lado do receptor, quando o ponto LED pelo número de canal LED é lampejando no selecionado número de canal, indica que o canal te ocupado já.

Nota Verifique-se que o transmissor seja idêntico ao receptor no número de canal. Em caso de ter o microfone instalado diferente do receptor, o receptor não recebe o sinal de rádio do transmissor.

No lado do transmissor, o botão te prendido, a pantalha do número de canal te ligada por 20 segundos, e depois a pantalha te desligada. Quando o botão SET y pressione nesta condição, a pantalha te ligada por 20 segundos.



7. DEFINIÇÃO DO NÚMERO DE CANAL POR SINCRONIZAÇÃO INFRAVERMELHA

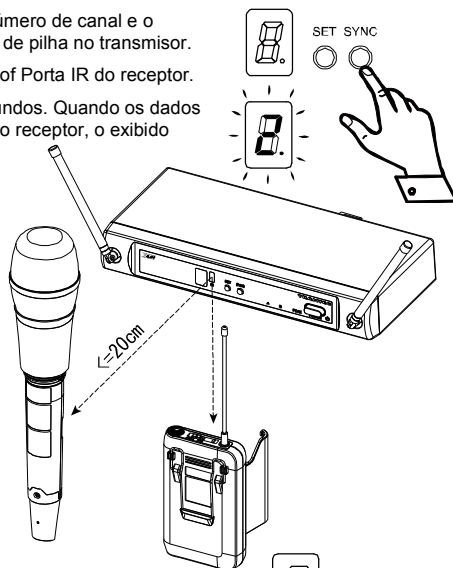
Passo 1. Verifique-se que o receptor tenha instalado o número de canal e o transmissor tenha ligado e abra o compartimento de pilha no transmissor.

Passo 2. Tenha a porta IR do transmissor dentro de 20cm of Porta IR do receptor.

Passo 3. Pressione o botão SYNC no receptor por 3 segundos. Quando os dados do canal tenham transmitidos bem da porta IR do receptor, o exibido número de canal lampeja.

Passo 4. Quando o número de canal tenha sincronizado bem entre o receptor e o transmissor, o exibido número de canal do transmissor lampeja por 3 segundos,

Nota No lado do transmissor, a pantalha do número de canal te ligada outra vez quando a sincronização IR resulta.



8. EXAME DE CANAL

Passo 1. Pressione o botão SET e o botão SYNC ao mesmo tempo por 3 segundos. O exame de canal começa, e um fixo número de canal te indicado lampejando na pantalha do número de canal.

Passo 2. Logo do exame de canal, os fixos canais tem exibidos em turno.

Passo 3. Pressione o botão SET e o botão SYNC ao mesmo tempo, o receptor instala o fixo canal automaticamente.

Nota Antes de começar o exame de canal, desligue todos os transmissores e todo equipamento que causaria a interferência durante o rendimento pela detecção durante o exame de canal.

Se não há canais fixos, o número de canal tem exibido lampejando "-". Depois o canal te instalado outra vez antes de começar o exame de canal.

Instalação de Sistema Múltiplo

Instale cada sistema uma á vez, verificare ter cada sistema designado um diferente canal, e deixe o transmissor ligado. De outra maneira, o exame de canal do outro receptor não detecta-o de canal ocupado.

9. ALARME DE PILHA

• Quando a capacidade da pilha do correspondente transmissor te baixa, o ponto LED do numérico LED do receptor e o transmissor lampeja. Cambie a pilha do transmissor.



10.SUGESTÕES OPERACIONAIS

- A distância de ação do microfone é de 3–100m. Quando o usuário do microfone se move em um local, podem ocorrer dropouts do sinal (perdas momentâneas da recepção de sinal). Estas interrupções do sinal são causadas pelo desenho arquitetônico ou materiais do edifício, que bloqueiam o trajeto ou refletem o sinal de rádio. Se isso ocorrer, o usuário precisa mudar o lugar para uma melhor recepção.
- Verifique-se a boa linha de vista entre o transmissor e o receptor. Não coloque grandes obstruções (ex. Paredes de concreto ou grandes obstruções de metal) entre o transmissor e o receptor. Ademais, manter o receptor afastado de vigas metálicas e obstruções por efeito adverso no estilo da recepção da antena e induzir a interferência.
- O funcionamento adequado do seu sistema sem fios pode sofrer interferências por outros sistemas que estejam em funcionamento na mesma frequência. Nesses casos, mude a frequência de operação do seu sistema.
- Mantenha o microfone dentro de 20cm da fonte do som. Mude o mais cercado pelo aumento de som e não abra o grade com a sua mão.
- Manter a sua boca 15–20cm afastada do microfone lavalier pela melhor reprodução de som. No caso de resposta em direção Omni, ele recebe som de toda direção. É melhor ter o microfone mais cercado da fonte do som. Tome cuidado em não ter a sua boca muito cercada ao microfone (dentro de 5 cm) pela clareza de fala se você fala ruidosamente.
- No caso do fone de ouvido, ajustando o cano curvado, coloque o microfone com o pára-brisa fornecido à frente de sua boca, e coloque-o 3–5cm afastado de sua boca pela melhor reprodução de som. O ter o microfone muito cercado à sua boca ou você fala ruidosamente, a clareza de fala prejudica-se, e a audiência não escuta bem o seu anúncio.

11.LOCALIZADOR E REPARADOR DE DEFEITOS

Tema	Condição	Solução
Não som	Luzes de recepção do receptor [A ou B] ou luzes do medidor de nível de sinal RF.	Verificar as conexões do inteiro sistema de som ou aumento do controle de volume do receptor.
Som torcido	Luzes de pico AF [PEAK] .	Verificar ou aumento do transmissor ou PAD. Verificar o controle de volume do receptor. Verificar se o nível de saída do receptor iguala o nível de entrada do mezclador/amplificador.
Pouca extensão ou desligado de som	Luzes de recepção do receptor [A e B] bruxuleantes ou medidor de nível de sinal RF desligado.	O sistema deve ter instalado dentro da recomendada extensão. O transmissor deve ter usado de acordo com a vista do receptor. Checar o exame de canal, verificar fontes de interferência cercada, e mudar o receptor e o transmissor a um diferente canal. Verificar a indicação da pilha, e cambiar a pilha do transmissor.

12.ESPECIFICAÇÕES

Sistema

Modulação	Banda ampla FM
Extensão de frequência	Banda UHF (506-538, 538-576, 576-603, 603-638, 638-671, 671-701, 720-758, 785-815, 819-832, 836-867, 925-937.5 MHz)
Frequências harmoniosas	25 kHz Passos
Canais ajustáveis	S4.04:4 canais S4.10: Até 16 canais (dependendo de região)
Canais operados simultaneamente	S4.04:4 canais S4.10: Até 16 canais (dependendo de região)
Tono piloto	32.768kHz
Total distorção harmoniosa	< 1 % @1kHz
Função	IR sync, Exame de canal, informação de duração da pilha
Extensão dinâmica	>96 dB(A)
Extensão de operação	Aprox. 100 m
Extensão de temperatura de operação	-10°C a +50° C

Nota: 506–603 MHz e 614–698 MHz para USA/Canadá, 614–698 MHz para Brasil, 865–867 MHz para Índia, 925-937.5 MHz Para Coréia

TRANSMISOR

	S4.04-HDX, S4.10-HDX	S4.04-BTX, S4.10-BTX
Microfone	Dinâmica con estilo cardioid	TRANTEC série lavalier e fone de ouvido
Carregador RF	10 mW	10 mW
Resposta de Frequência Audio	80 - 15000 Hz	50 - 15000 Hz
Nível de entrada audio	140 dB SPL (máximo)	-6dBV (máximo), aumento mic 0dB
Duração da pilha	Aprox. 10 horas	Aprox. 10 horas
Fonte de energia	1 pilha alcalina tamanho AA, 1.5 V	1 pilha alcalina tamanho AA, 1.5 V
Acabado	Resina, camada	Resina, camada
Dimensões*	250×φ50 mm	62 (L)×100 (A)×25 (F) mm (com presilha)
Peso*	245 g (com pilha)	85 g (com pilha)

RECEPTOR S4.04RX, S4.10-RXA

Diversidade de recepção	Antena Diversity
Sensibilidade	10uV at 45dBa S/N
<i>Squelch</i> (SQ)	Tono SQ, Carregador SQ, Ruído SQ
Resposta de Frequência Audio	50 - 15000 Hz
Nível de saída audio (Máximo)	S4.04-RX Equilibrado (XLR soquete):-20 dBu Desequilibrado (1/4" soquete suporte):10 dBu S4.10-RXA Equilibrado (XLR soquete):16 dBu Desequilibrado (1/4" soquete suporte):10 dBu
Fonte de energia	11 - 18 VDC 300 mA
Dimensões*	215 (L)×39 (A)×102 (F) mm (sem antena e BNC)
Peso*	480g

0dBu=0.775V

Nota: O desenho e as especificações têm sujeitas a câmbio sem aviso por melhora.

•Acessórios

Adaptador AC

Suporte de microfone (para microfones portáteis)

Chave de fenda (Para instalar o transmissor de cinta)

FREQUENCY TABLE / FREQUENZTABELLE / TABLE DES FREQUENCES / TABLA DE FRECUENCIA / FREQUÊNCIA TABELA

S4.04 System

CH Code	Frequency Band Code										
	K4	D5	C2	C9	CA	B7	F4	G5	H4	L4	M4
0	925.100	863.150	803.525	819.150	824.825	749.425	639.625	617.725	576.750	538.525	507.375
1	926.350	863.725	804.575	820.400	826.625	751.150	642.275	620.400	579.150	541.475	509.100
2	928.050	864.150	805.075	821.775	828.525	754.350	647.575	622.825	582.350	544.675	513.900
3	928.850	864.850	805.750	822.650	829.625	755.850	652.250	626.550	590.300	547.325	522.825

S4.10 System

CH Code	Frequency Band Code											
	K3	D4	C1	C6	C8	B6	F3	G3	G4	H3	L3	M3
0	925.300	863.150	794.250	819.150	822.100	748.100	633.475	606.100	616.775	576.200	538.525	506.150
1	926.550	863.725	794.600	819.400	822.550	748.600	634.025	606.550	617.725	576.750	539.075	506.700
2	927.950	864.150	795.050	820.400	823.400	749.250	634.700	607.600	618.100	577.425	539.75	507.375
3	928.600	864.850	795.600	821.150	824.450	750.900	635.500	608.250	619.650	578.225	540.55	508.175
4	931.450	854.900	796.500	821.775	825.000	751.800	636.425	609.200	620.400	579.150	541.475	509.100
5	932.400	855.900	797.700	822.275	825.950	753.325	637.775	610.600	620.850	580.500	542.825	510.450
6	934.600	856.175	799.250	822.650	826.700	754.725	639.625	611.450	621.775	582.350	544.675	512.300
7	935.400	856.575	800.900	820.150	828.100	756.000	641.225	612.600	622.200	583.950	546.275	513.900
8	925.700	857.950	801.600	820.775	828.750	756.775	642.275	613.350	622.825	585.000	547.325	514.950
9	926.950	858.200	803.350	821.900	829.900	757.800	644.800	613.900	623.250	587.525	549.85	518.950
A	928.350	858.650	804.450	822.275	831.375	749.775	647.575	610.250	624.425	590.300	552.625	522.825
b	929.000	859.500	803.150	822.775	826.775	751.625	652.250	610.900	626.550	597.200	557.3	524.975
C	931.850	860.400	803.525	820.525	828.975	752.975	660.750	606.950	627.425	600.525	565.8	528.300
d	932.800	860.900	804.575	821.400	830.075	754.575	662.900	608.500	628.550	602.675	567.95	531.875
E	935.000	861.200	805.075	822.400	831.375	756.300	666.225	609.500	629.400		571.275	534.650
F	935.800	861.750	805.750	822.900	831.875	757.225	670.225	611.600	629.950		575.275	

Note: Frequencies that have same colored cells in each frequency band code are compatible.

Frequenzen, die die Zellen in gleicher Farbe in jedem Frequenzband-Code haben, sind kompatibel.

Les fréquences qui ont les mêmes cellules colorées dans chaque code de bande de fréquence sont compatibles.

Frecuencias con las mismas células de color en cada código de banda de frecuencia son compatibles.

Frequências com as mesmas células de cor em cada código de banda de frequência são compatíveis.

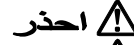
كتيب التعليمات

احتياطات تتعلق بنواحي السلامة

- يجب التأكد، قبل التركيب أو الاستخدام، من قراءة كافة التعليمات التي من شأنها أن تضمن استخداماً آمناً وصحيحاً.
- ينبغي التأكد من إتباع كافة تعليمات الحبيطة، والتي تشمل تحذيرات هامة واحتياطات تخص السلامة أو أيّاً منهما.
- يفضل الاحتفاظ بهذا الكتيب عقب قراءته في متناول اليد للرجوع إليه لاحقاً.
- نوه بأن هذا الكتيب يضم احتياطات تتعلق بالسلامة قد لا تنطبق على المنتجات الخاصة بك.

رمز السلامة والأعراف المتفق عليها بشأن الرسائل

تستخدم رموز السلامة، والرسائل المذكورة أدناه في هذا الكتيب لمنع الإصابات الجسدية وتلف الملكية، التي تنشأ عن سوء التداول. وينبغي عليك، قبل تشغيل منتجك، أن تبدأ بقراءة هذا الكتيب، وفهم رموز السلامة والرسائل حتى تكون على وعي تام بمخاطر السلامة المحتملة.



احذر



المؤشرات والمواقف المحتملة التي تشكل خطورة، التي تؤدي إلى الوفاة أو الإصابات الشخصية الخطيرة في حالة إساءة الاستخدام. المؤشرات والمواقف المحتملة التي تشكل خطورة، التي تؤدي إلى إصابات شخصية تتراوح ما بين متوسطة وطفيفة، بالإضافة إلى إلحاق الضرر بالعمارة، أو أيّاً منهما.



احذر

عند تركيب الوحدة

- لا تعرض الوحدة لمياه الأمطار، أو للعوامل البيئية، التي من شأنها أن تبلل هذه الوحدة بالمياه أو بالسوائل، إذ ينتج عن هذا التصرف نشوب الحرائق أو الصدمات الكهربائية.
- استخدام الوحدة بالجهد الكهربائي الموضح في هذه الوحدة. وقد يؤدي استخدام جهد كهربائي أعلى من المحدد لهذه الوحدة إلى نشوب الحرائق، والصدمات الكهربائية.
- لا تقم بأي قطع أو ثني، وإلا سيتم إلحاق الضرر أو تعديل وصلات الدائرة الكهربائية لتقويم التيار. وينبغي، بالإضافة إلى ذلك تجنب استخدام وصلات الدائرة الكهربائية لتقويم التيار بالقرب من سخانات المياه، ولاتضع أشياء ثقيلة الوزن - بما في ذلك الوحدة ذاتها - على وصلة التيار، إذ قد يؤدي هذا إلى نشوب الحرائق، أو الصدمات الكهربائية.
- ينبغي التأكد من استبدال غطاء طرف الوحدة عقب إنتهاء التوصيل، لأن الجهد الذي يصل حتى 100 فولت يطبق على أطراف السماعة ذات المعاقلة العالية، لا تقم بلمس هذه الاطراف حتى لا تتعرض للصدمات الكهربائية.
- تأكد من أن التوصيل الأرضي يتم عن طريق استخدام طرف التأريض الامن لتجنب الصدمات الكهربائية. واحذر أن يكون التوصيل الأرضي عن طريق مواسير الغاز، إذ يؤدي ذلك إلى حدوث كوارث محققة.
- تجنب تركيب، أو صب الوحدة في أماكن غير ثابتة، كالتركيب على طاولة أيلة للسقوط، أو على سطح مائل. وقد يؤدي ذلك إلى سقوط الوحدة و يؤدي أيضاً إلى التعرض لإصابات شخصية وإلحاق الضرر بالعمارة.
- لا تقم بتركيب الوحدة في الأماكن التالية لتفادي وقوع حوادث أو إصابات شخصية:
 - الأماكن التي تعوق قيادة السيارات.
 - الأماكن التي يمكن للوحدة فيها أن تضرب بعنف جسدك، أو تعلق بملابسك عند ركوب السيارة أو النزول منها.
 - الأماكن التي تعوق فتح الوسادة الهوائية.
- حتى يتسنى تفادي صواعق البرق، ينبغي تركيب الوحدة على بعد خمسة أمتار على الأقل من قضيب البرق، و تكون في حدود نطاق وقائي (بزاوية 45 °) من موصل البرق. التي قد تؤدي الصواعق البرقية إلى نشوب الحرائق، أو الصدمات الكهربائية، أو الإصابات الشخصية.

- ينصح بإسناد كافة أعمال التركيب إلى الوكيل الذي تم شراء السماعات منه. يتطلب تركيب السماعات في مجال الطيران للإمام الواسع بالمعلومات والخبرة الفنية الكافية. وقد تسقط السماعة إذا تم تركيبها بطريقة خاطئة، الأمر الذي قد يؤدي إلى الإصابة الشخصية.

تحذيرات حول التعليق

تأكد من إتباع **التعليمات** المذكورة أعلاه، وإلا فإن الأسلاك والأربطة المعلقة قد تسقط، أو تنزع فجأة مما يؤدي إلى سقوط السماعة، والتسبب في إصابات جسدية.

- تأكد من أن الأسلاك والأربطة المعلقة مثبتة بالقدر الكافي الذي يتحمل وزن السماعة.
- لابد أن تكون موصلات الأسلاك المعلقة والأربطة موصلة بصورة آمنة مع موصلات السماعة.
- يجب أن تكون جميع الأجزاء والمكونات (ومنها على سبيل المثال، الأغلفة، والأجزاء المعدنية، والبراغي) خالية من أي عيوب، أو خدوش، أو تآكل.
- التأكد من استخدام البراغي المزود بها جهاز السماعة الاختياري عند تركيب السماعة باستخدام هذا الجهاز.
- قم بتركيب الوحدة فقط في الأماكن التي من شأنها أن تتحمل حجم الوحدة من ناحية الهيكل، ويسهل تركيب الحامل. وإغفال ذلك قد يؤدي إلى سقوط الوحدة، وبالتالي يؤدي إلى إصابات بشرية، أو إلحاق الضرر بالممتلكات أو كلاهما.
- وبالنسبة لمقاس ووزن الوحدة، تأكد من قيام شخصين على الأقل بتركيب الوحدة. وقد يؤدي الإخفاق في ذلك إلى إصابات بشرية.
- لا تقم باستخدام وسائل أخرى غير الواردة بشأن تركيب الحامل. فعندما تعمل الوحدة بقوة كبيرة، قد تسقط وينسبب ذلك في إصابات بشرية.
- ينبغي توصيل أسلاك السلامة بالوحدة، وإذا لم يتم ذلك، قد تسقط الوحدة وتؤدي إلى إصابات جسدية.
- استخدم الصواميل والبراغي المولوية المخصصة لهياكل وتراكيب الأسقف والجدران. وقد يؤدي الإخفاق في ذلك إلى سقوط السماعة، الأمر الذي قد يتسبب في خسائر مادية أضرار بشرية.
- يجب ربط كل صامولة وبراغي جيدا وبصورة آمنة. تأكد من أن مفصلات الحامل مبربوطة بإحكام والتأكد على ربطها مرة أخرى عقب التركيب لتفادي وقوع الحوادث التي قد تؤدي إلى إصابات بشرية.
- استخدم العناصر المناسبة أثناء عملية التجميع. ومخالفة قد يؤدي إلى سقوط الوحدة أو هذه العناصر، مما يؤدي إلى وقوع خسائر بشرية.
- لا تقم بتركيب الوحدة في أماكن عرضة للاهتزاز المتباين. قد يتسبب الاهتزاز العالي في تلف حامل التركيب، ومن المحتمل أن يؤدي ذلك إلى سقوط الوحدة، والتسبب في إصابات بشرية.
- لا تستخدم شحم التزليق المضاد للصدأ، فإذا وصل هذا الشحم إلى المادة الصمغية، أو الأجزاء المطاطية، فمن شأنه أن يؤدي إلى تلف هذه الأجزاء ويؤدي بالتالي إلى سقوط الوحدة، الأمر الذي قد يتسبب في وقوع أضرار بشرية.
- تجنب تركيب السماعة في أماكن قريبة من شاطئ البحر، أو من حمامات السباحة الموجودة بالأماكن المغلقة غير المعرضة للتهوية الجيدة. وتكون الحمامات في مثل تلك الأماكن عرضة للتآكل، مما قد يؤدي في نهاية الأمر إلى سقوط السماعة، الأمر الذي قد يتسبب في حوادث بشرية.

عندما تكون الوحدة قيد الاستخدام

- إذا وقع أي من الحوادث العارضة التالية أثناء الاستخدام، يجب الإسراع على الفور بغلاق الجهاز، وفصل القبس الموصل للتيار الكهربائي من مخرج التيار الكهربائي المتردد، والاتصال مباشرة بأقرب وكيل لشركة TOA. ولا تحاول تشغيل الوحدة مرة أخرى وهي على تلك الحالة، إذ قد يؤدي ذلك إلى نشوب الحرائق وحوادث الصدمات الكهربائية.
 - إذا أحسست برائحة الدخان، أو أية رائحة غريبة أخرى تنطلق من الوحدة.
 - إذا تسرب الماء إلى الوحدة، أو وصل أية مواد معدنية.
 - إذا سقطت الوحدة، أو انكسر صندوقها.
 - إذا تعرضت وصلات الدائرة الكهربائية لتقويم التيار من التلف (تعرض الأجزاء الداخلية منها للتلف، أو فصل التيار، وما إلى ذلك).
 - إذا تعرضت لعطل (لا تسمع نبزة الصوت).
 - إذا تعرضت لعطل (لا تظهر الصورة).
- ولتفادي نشوب الحرائق، أو الصدمات الكهربائية، لا تقم بفتح أو تغيير مكان صندوق الوحدة، نظرا للجهد العالي المشحونة به عناصر هذه الوحدة. قم بإحالة عملية الصيانة إلى فني صيانة مختص.
- لا تضع الفتاجين، أو الأطباق الكبيرة، أو أية حاويات أخرى للسوائل أو المواد المعدنية فوق الوحدة. وإذا سكبت أيًا من هذه العناصر عن طريق الخطأ داخل الوحدة، فقد يؤدي ذلك إلى نشوب الحرائق، أو الصدمات الكهربائية.

- لا تدخل أو تسقط أية مواد معدنية، أو قابلة للاشتعال في فتحات التهوية الموجودة على غطاء الوحدة، فقد يؤدي ذلك إلى نشوب الحرائق، أو الصدمات الكهربائية.
- لا تلمس القيس الموصل للتيار الكهربائي، أو الهوائي أثناء وجود ظاهرة برق أو رعد، فقد يؤدي ذلك إلى وقوع الصدمات الكهربائية.
- تثبت مخرجات التيار الكهربائي المتردد على مخرج التيار الكهربائي المتردد للوحدة. ولا يسمح بأن تتجاوز القوة الكهربائية بالواط تلك القيمة المحددة على الوحدة عند توصيل الجهاز. ومخالفة ذلك قد يؤدي إلى نشوب الحرائق أو تلف في الممتلكات.
- يجب التأكد من تركيب شاحن البطارية المخصص عند إعادة شحن البطارية. وقد يؤدي تركيب شاحن آخر إلى وجود تسريب في البطارية أو إلى انفجارها، الأمر الذي يؤدي إلى نشوب الحرائق، أو إصابات بشرية، أو إلحاق الضرر بالممتلكات، أو التلوث، أو أيا مما سبق.
- ولتفادي التأثيرات السلبية للموجات الكهرومغناطيسية على المعدات الطبية، لابد من التأكد من غلق مفتاح التيار الكهربائي للوحدة عند وضعه بالقرب من المعدة الطبية.
- يجب التأكد عند استبدال الموصل الكهربائي من استخدام الموصل المرفق مع الجهاز. وقد يتسبب استخدام أي موصل آخر غير ذلك المرفق مع الجهاز في نشوب الحرائق أو الصدمات الكهربائية.

⚠ احترس

عند تركيب الوحدة

- لا تدخل أو تتزعج قيس توصيل التيار الكهربائي باستخدام الأيدي المبللة، إذ قد يؤدي ذلك إلى التعرض للصدمات الكهربائية.
- ولابد عند نزع موصل التيار الكهربائي من التأكد من الإمساك بقبس موصل التيار الكهربائي، وتجنب دائما شد السلك الموصل نفسه.
- قد يؤدي تشغيل الوحدة باستعمال موصل تيار كهربائي تالف إلى نشوب الحرائق أو الإصابة بالصدمات الكهربائية.
- تأكد عند تحريك الوحدة من فصل السلك الموصل للتيار الكهربائي من مخرج التيار المثبت على الحائط. قد يؤدي تحريك الوحدة في حالة توصيل السلك الموصل للتيار الكهربائي بمخرج التيار إلى تلف هذا السلك، الأمر الذي يؤدي إلى وقوع الحرائق أو الصدمات الكهربائية. تأكد دائما عند نزع السلك الموصل للتيار الكهربائي من الإمساك بالقبس بغرض نزعه.
- لا تقم بسد فتحات التهوية التي تغطي الوحدة. وقد يؤدي ذلك إلى ارتفاع درجة الحرارة داخل الجهاز مما قد يؤدي إلى اشتعال الحريق. ينبغي أيضا تنظيف فتحات التهوية من الغبار بصفة دورية.
- تجنب تركيب الوحدة في أماكن رطبة أو معرضة للآتربة، أو تركيبها في أماكن معرضة لضوء الشمس المباشر، أو بالقرب من السخانات، أو في أماكن تنتج من عوادم السيارات، أو الأبخرة، إذ قد يؤدي مخالفة ذلك إلى اشتعال الحرائق أو الصدمات الكهربائية.
- لابد من تتبع وضع الأقطاب بالمكان الصحيح (تبادل الأقطاب الموجبة والسالبة عند توصيل سلك التيار الكهربائي بموصلات الأقطاب من شأنه أن يؤدي إلى تلف مكبر الصوت أو السيارة).
- تركيب الوحدة فقط في أماكن ثابتة، واتخاذ التدابير اللازمة لمنعه من السقوط، أو التدرج على الأرض. وإذا سقطت الوحدة أو تحركت من مكانها، فمن الممكن أن يؤدي ذلك إلى وقوع إصابات بشرية أو تلف في الممتلكات أو أيا منهما.
- يجب التأكد على أن يقوم بحمل الوحدة عند إخراج الوحدة أو تحريكها من مكانها شخصين على الأقل، فقد يؤدي تفرغ الوحدة أو إسقاطها إلى وقوع إصابات في الأفراد أو إلحاق الضرر بالممتلكات.
- تجنب وضع الوحدة عند مدخل أحد الأبواب، أو في مكان مرور الناس بصفة دائمة إذ قد يتعثر أحد الأفراد في الاداة أو الأسلاك، أو قد يتعرض للإصابة من جراء سقوط هذه الأشياء.
- تفويض أمر تركيب الإيال (الهوائي) إلى الوكيل الفني المختص لشركة TOA ، وذلك لأن عملية التركيب تتطلب خبير فني. وقد يؤدي التركيب الخاطئ إلى سقوط الهوائي، الأمر الذي قد يؤدي إلى إحداث إصابات جسدية أو التعرض لصدمات كهربائية.
- تجنب ملامسة الحواف الحادة للوحدة لتفادي الإصابة بجروح.
- ولابد من التأكد من غلق مفتاح التيار الكهربائي للوحدة عند توصيل السماعة لتفادي التعرض للصدمات الكهربائية.
- يرجى التأكد من إتباع التعليمات المذكورة أدناه عند التركيب داخل حامل. ومن المحتمل أن يؤدي الإخفاق في ذلك إلى نشوب الحرائق أو وقوع إصابات في الأفراد.
- وضع الحامل على أرض ثابتة وصلبة، وثبتيته عن طريق براغي خاصة بالثبتيته، أو اتخاذ تدابير أخرى لمنعه من السقوط.
- عند توصيل السلك الموصل بالتيار الكهربائي للوحدة بمصدر التيار المتردد، لابد أن يكون ذو سعة تتمتع بها الوحدة.

عندما تكون الوحدة قيد الاستخدام

- لا تضع أشياء ثقيلة على الوحدة إذ قد يؤدي ذلك إلى سقوطها وكسرها، الأمر الذي من المحتمل أن يتسبب في إصابات بشرية وخسائر في الممتلكات أو أي منهما، هذا بالإضافة إلى أن الحمل الثقيل ذاته من شأنه أن يسقط ويتسبب في الإصابات والضرر أو أي منهما.
- ينبغي التأكد من أن التحكم في الصوت في الوضع الأذني قبل تشغيل مفتاح التوصيل بالتيار الكهربائي. من الممكن أن يتسبب الضوضاء العالية الناتجة عن الصوت العالي عند تشغيل الجهاز إلى إضعاف السمع.
- لا تقم بتشغيل الوحدة لفترات ممتدة بصوت يفوق الحد الطبيعي فقد يعرض تلك السماعات الموصلة للحرارة، الأمر الذي يتسبب في اشتعال الحرائق.
- يجب استخدام مكيف التيار المتردد للوحدة. ولابد من ملاحظة أن استخدام مكيف آخر قد يتسبب في اشتعال الحرائق.
- ينبغي فصل مقبس توصيل التيار الكهربائي من مصدر التيار المتردد عقب استكمال عملية الشحن فقد يؤدي خلاف ذلك إلى اشتعال الحرائق.
- إذا لم تستخدم الوحدة لمدة 10 أيام أو ما يزيد على ذلك، أو إذا استخدم التيار الكهربائي المتردد في تشغيل الوحدة، فيجب التأكد من فصل البطارية عن الوحدة لأن تسرب البطارية قد يتسبب في اشتعال الحرائق، أو الإصابات البشرية، أو تلوث البيئة.
- لابد من الاتصال بوكيل TOA لتنظيف الوحدة في حالة تراكم الأتربة بها لفترة طويلة، فقد يؤدي ذلك إلى اشتعال الحريق بالوحدة أو لإحراق الضرر بها.
- إذا تراكم التراب على مقبس التوصيل بالتيار الكهربائي أو بحائط مصدر التيار المتردد مما يؤدي إلى اشتعال الحريق فيجب تنظيفه بصفة دورية، وينبغي بالإضافة إلى ذلك وضع المقبس من مخرج الحائط بأمان.
- يجب غلق مفتاح التيار الكهربائي وفصل مقبس التوصيل الكهربائي من مصدر التيار المتردد لأغراض أمنية عند القيام بعملية التنظيف أو عند ترك الوحدة دون تشغيل لمدة 10 أيام أو ما يزيد، وأن مخالفة ذلك قد يتسبب في اشتعال الحرائق أو الصدمات الكهربائية.
- لابد من التأكد من مراعاة احتياطات كيفية الاستخدام التالية حتى لا تنتج أية حرائق أو إصابات بشرية عن تسرب البطارية أو انفجارها.
- لا تجفف البطارية أو تقوم بفكها، أو بتسخينها، أو تضعها على النار.
- تجنب استخدام البطاريات القديمة والجديدة، مع بعضها البعض.
- لا تستخدم البطاريات ذات النوع غير القابل لإعادة الشحن.
- لا تقم بعمل لحام قصدير على البطارية مباشرة.
- التأكد من استخدام نوع محدد من البطاريات.
- يراعى استخدام الأقطاب الصحيحة (ذات الاتجاه الموجب والسالب عند إدخال البطارية في الوحدة).
- تجنب الأماكن المعرضة لضوء الشمس المباشر، أو درجة الحرارة، أو الرطوبة العالية عند تخزين البطارية.
- لا تقف أو تجلس على الجهاز، أو تتعلق بالوحدة، إذ قد يؤدي هذا الأمر إلى سقوطه أو إسقاطه، مما يؤدي ذلك إلى إصابات بشرية، وإلحاق الضرر بالممتلكات أو أيًا منهما.
- ينبغي القيام بفحص الوحدة بشكل دوري من قبل منفذ البيع الذي تم الشراء منه. وإن الإهمال في ذلك يتسبب في تآكل، أو تلف الوحدة، أو حامل التركيب الخاص بها الأمر الذي يؤدي بدوره إلى سقوط هذه الوحدة، أو قد يؤدي إلى إصابات جسدية.
- تأكد من إتباعك للتعليمات التالية، إذ قد يؤدي الإخفاق في تنفيذها إلى أضرار سمعية.
- خفض صوت السماعة لأدنى حد ممكن عند التشغيل.
- لا تشغل السماعة بالقرب من أذنانك.
- وجه الوحدة في الاتجاه الذي لا يوجد به أي شخص عند إجراء الاختبارات التشغيل.

CERTIFICATIONS

Any modification to the unit, unless expressly approved by TOA Electronics, Inc., could void the your authority to operate the equipment.

DECLARATION OF CONFORMITY

TOA Electronics, Inc.

1 Harmon Plaza, Suite 602 Secaucus,
New Jersey 07094, USA
TEL 650-452-1200

declare under our sole responsibility that the product

WIRELESS RECEIVER
S4.04-RX, S4.10-RXA

comply with Part 15 of FCC Rules.

Operation is subject to the following conditions: (1) this device may not cause harmful interference, and (2) this device must accept any interference received, including interference that may cause undesired operation.

In compliance with

EN 301 489-01:V1.9.2(2011-09)
EN 301 489-09:V1.4.1(2007-11)
EN 300 422-2 V1.4.1 (2015-06)
EN 62368-1:2014

CE Declaration of Conformity

2014/53/EU RED
2011/65/EU RoHS

Traceability Information for Europe

Manufacturer:

TOA Corporation
7-2-1, Minatojima-Nakamachi, Chuo-ku, Kobe,
Hyogo, Japan

Authorized representative:

TOA Electronics Europe GmbH
Suederstrasse 282, 20537 Hamburg, Germany
URL: www.toa.de

COMPLIANCE STATEMENT TO

AT DE	Österreich Deutschland	Hiermit erklärt TOA Electronics Europe GmbH die Übereinstimmung des Funkmikrofon / Empfängers mit den grundlegenden Anforderungen und den anderen relevanten Festlegungen der Richtlinie 2014/53/EU.
BE	België	Bij deze verklaart TOA Electronics Europe GmbH dat deze draadloze microfoon / ontvanger voldoet aan de essentiële eisen en aan de overige relevante bepalingen van Richtlijn 2014/53/EU.
	Belgique	Par la présente, TOA Electronics Europe GmbH déclare que ce microphone sans fil / récepteur est conforme aux exigences essentielles et aux autres dispositions de la directive 2014/53/EU qui lui sont applicables.
CH	Schweiz	Hiermit erklärt TOA Electronics Europe GmbH, dass sich dieses Funkmikrofon / Empfänger in Übereinstimmung mit den grundlegenden Anforderungen und den anderen relevanten Vorschriften der Richtlinie 2014/53/EU befindet.
DK	Danmark	Undertegnede TOA Electronics Europe GmbH erklærer herved, at følgende udstyr Trådløs Mikrofon / Modtager overholder de væsentlige krav og øvrige relevante krav i direktiv 2014/53/EU.
ES	España	TOA Electronics Europe GmbH declara que el micrófono inalámbrico / receptor cumple con los requisitos esenciales y otras disposiciones aplicables o exigibles en la Directiva 2014/53/EU.
FI	Suomi / Finland	TOA Electronics Europe GmbH vakuuttaa täten tämä langaton mikrofoni / vastaanotin on direktiivin 2014/53/EU oleellisten vaatimusten ja sitä koskevien direktiivin muiden ehtojen mukainen.
FR CH	France Suisse	Par la présente TOA Electronics Europe GmbH déclare que l'appareil microphone sans fil / récepteur est conforme aux exigences essentielles et aux autres dispositions pertinentes de la directive 2014/53/EU.
GB	Great Britain	Hereby, TOA Electronics Europe GmbH, declares that this wireless microphone / receiver is in compliance with the essential requirements and other relevant provisions of Directive 2014/53/EU.
GR	Ελλάδα	Με την παρούσα η εταιρεία TOA Electronics Europe GmbH δηλώνει ότι το ασύρματο μικρόφωνο /ο ραδιοφωνικός δέκτης συμμορφώνεται με τις ουσιαστικές απαιτήσεις και τις λοιπές σχετικές διατάξεις της οδηγίας 2014/53/EU.
IT CH	Italia Svizzera	Con la presente TOA Electronics Europe GmbH dichiara che questo Radiomicrofono / Ricevitore è conforme ai requisiti essenziali ed alle altre disposizioni pertinenti stabilite dalla direttiva 2014/53/EU.
NL	Nederland	Hierbij verklaart TOA Electronics Europe GmbH dat deze draadloze microfoon / ontvanger in overeenstemming is met de essentiële eisen en de andere relevante bepalingen van richtlijn 2014/53/EU.
NO	Norway	TOA Electronics Europe GmbH erklærer herved, at denne trådløse mikrofon / mottager er i samsvar med de vesentlige egenskapene og øvrige relevante krav i direktiv 2014/53/EU.
PT	Portugal	TOA Electronics Europe GmbH declara que este Microfone Emissor / Receptor está conforme com os requisitos essenciais e outras disposições da Directiva 2014/53/EU.
SE	Sverige	Härmed intygar TOA Electronics Europe GmbH att denna Trådlös mikrofon / Mottagare står i överensstämmelse med de väsentliga egenskapskrav och övriga relevanta bestämmelser som framgår av direktiv 2014/53/EU.

