



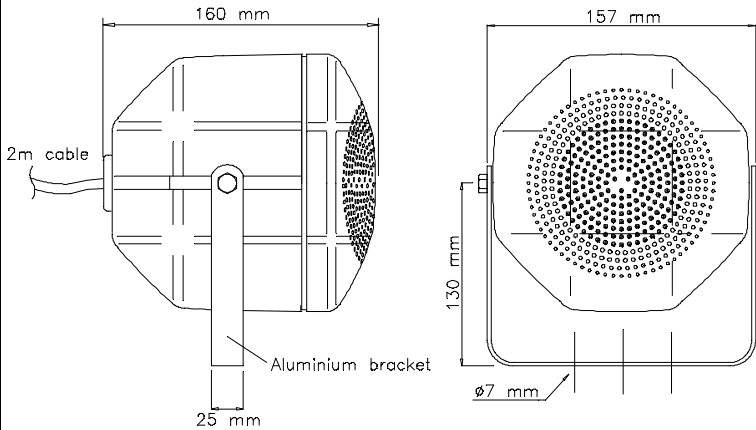
DNH

ISO 9001 CERTIFIED

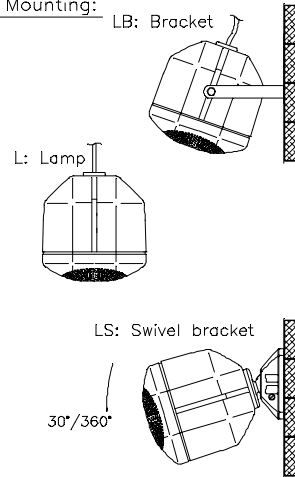
PS-6(T)

Commercial Audio Solutions Ltd
The Old Barn, Whitecroft Farm
Strines, Derbyshire. SK22 3AH.
Tel: 01663 767888
www.commercialaudiosolutions.com

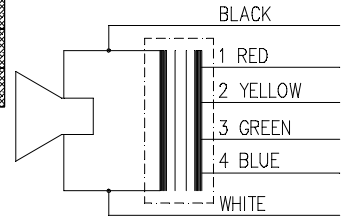
Dimensions:



Mounting:



CIRCUIT DIAGRAM



100V Primary nominal tapings	
Red : Yellow	6,0 W
Yellow : Green	3,0 W
Green : Blue	1,5 W
Red : Green	1,0 W
Yellow : Blue	0,5 W
Red : Blue	0,3 W
Low impedance	
Black : White	8 Ω

Sound pressure levels at 1W/1m w/P-3/10T

SPL vs Freq



Specifications

Material / Color	Polyamid / White (RAL 7035)
Mounting	By cable as pendant(L) / Bracket(LB) / Swivel bracket(LS)
Termination	Cable, 2m
Weight (L)	1,2 kg
IP-rating	56
Max. / min. amb. temp	120°C / -40°C
Rated / max. power	6 W / 10 W
SPL 1W/1m	85 dB
SPL rated power	93 dB
Effective freq. range	125 – 18000 Hz
Dispersion (-6dB) 1kHz / 4kHz	180° / 90°
Options	Impedances, colors, labels

Installation, Operation and Maintenance Procedures

- Please specify your model when ordering (L, LB or LS)
- How to mount the loudspeaker:
 - Lamp-version (L): Ensure that the cable is fastened securely to the ceiling.
 - Bracket-version (LB): Screw the bracket to wall or ceiling with screws.
 - Swivel bracket version (LS): Read mounting instructions on carton box.
- To change the position of the loudspeaker:
 - Bracket version (LB): Adjust the bracket (by loosening / tightening the screws) as required.
 - Swivel bracket version (LS): Adjust the swivel base (by loosening / tightening the screws) as required.
- For optimum performance, always use the correct voltage / power and operate within the frequency limits as stated.
- Take care when loudspeaker is energized. (100V)
- This loudspeaker is supplied with a two years warranty against defective workmanship.

DNH reserves the right to alter specifications without notice

