

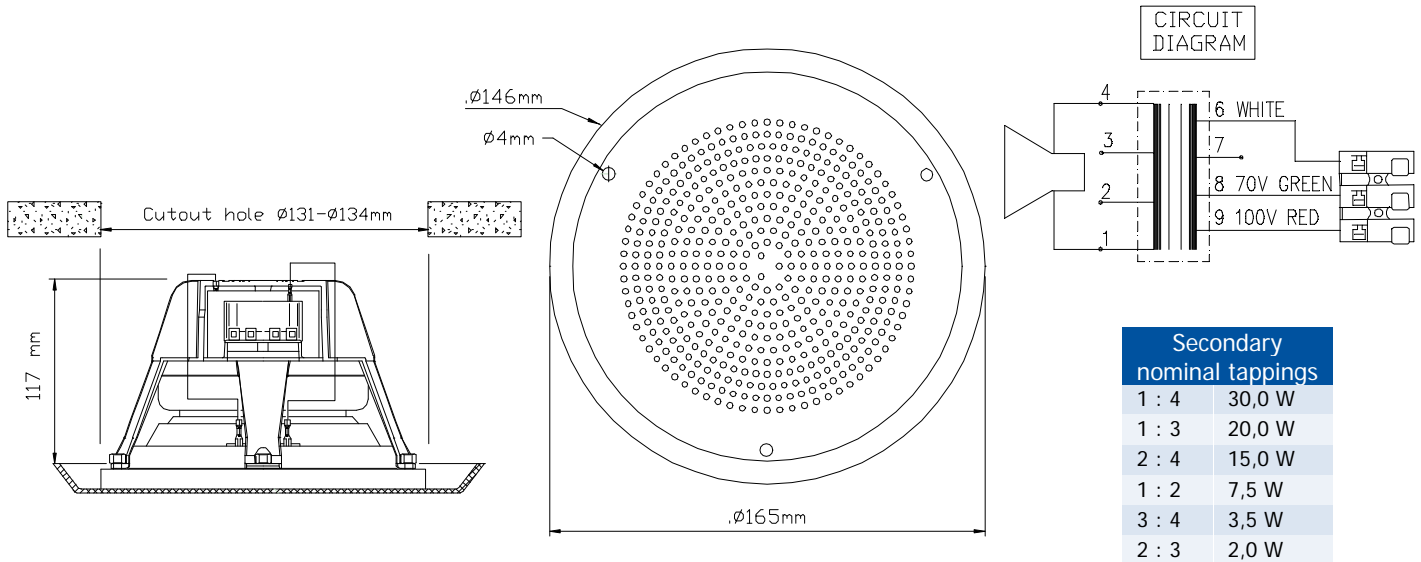


# DNH

## PROB-560(T)

ISO 9001 CERTIFIED

Commercial Audio Solutions Ltd  
 The Old Barn, Whitecroft Farm  
 Strines, Derbyshire. SK22 3AH.  
 Tel: 01663 767888  
 www.commercialaudiosolutions.com



Sound pressure levels at 1W/1m



Specifications

Material / Color	Aluminum / RAL 9010
Mounting	3 Screws
Termination	Spring clamp
Weight w/transformer	1,5 kg
IP-rating	NA
Max. / min. amb. temp	90°C / -20°C
Rated / max. power	30 W / 50 W
SPL 1W/1m	88 dB
SPL rated power	103 dB
Effective freq. range	60 – 20000 Hz
Dispersion (-6dB) 1kHz / 4kHz	170° / 60°
Directivity factor, Q	NA
Options	Impedances, colors, labels

### Installation, Operation and Maintenance Procedures

- Connect to terminal 70V or 100V
- Select required tapping.
- Install loudspeaker grill to wall/ceiling by 3 screws.
- For optimum performance, always use the correct voltage / power and operate within the frequency limits as stated.
- Do not open loudspeaker when energized.
- This loudspeaker is supplied with a 2 year warranty against defective workmanship.