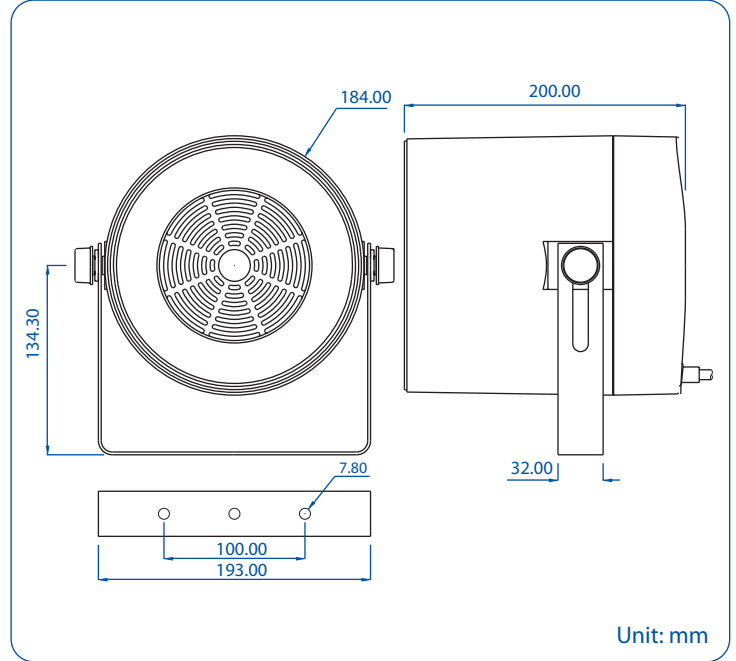




XMR-520PL Sound Projector



- 100 Hours Life Tested
- CE Certified (EMC & LVD)
- IP Rated
- Rustproof
- UL94V0
- BS 5839 Part 8
- EASE Data
- RoHS Compliance
- UV Protected
- Withstanding/Insulation Tested

- Designed to give controlled directional sound characteristics.
- 20 watt 100 & 70 volt line or 8Ω. Tappings via 7-core cable.
- IP rated to IEC529 IP55.
- Wide bandwidth alternative to horn speakers - ideal for music and speech applications.
- Compact design high impact ABS housing UV protected.
- Epoxy coated steel bracket, stainless steel exterior hardware.
- Finished in Ivory (RAL 1013).

Model No.	XMR-520PL
Rated Power (rms)	20W
Impedance	250Ω, 500Ω, 1kΩ, 2kΩ, 4kΩ
Power Taps @ 100V	20W, 10W, 5W, 2.5W & 8Ω
Power Taps @ 70V	20W, 10W, 5W, 2.5W, 1.25W & 8Ω
SPL (1W / 1M)	98 dB
Max. SPL (Rated 20W / 1M)	111 dB
Frequency Range (-10dB)	130 Hz ~ 20K Hz
Dispersion 1K Hz / 4K Hz	130° / 30°
Ambient Temperature	-30°C ~ +60°C
Water Protection	IEC529 IP55
Power Selection	7-core cable
Material	Housing: High impact ABS with UV protection
Colour / Finish	Ivory (RAL 1013)
Dimensions	184 (7.24) Dia. X 200 (7.87) L mm. (in.)
Net Weight (ea)	2.2 kgs (4.85 lbs)
Mounting	U Type Steel Bracket