

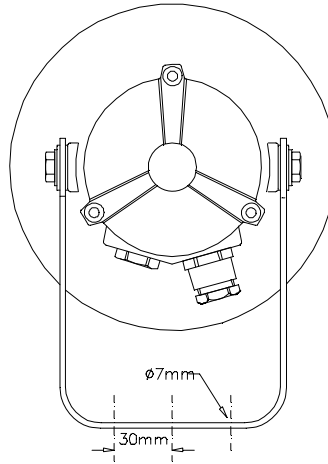
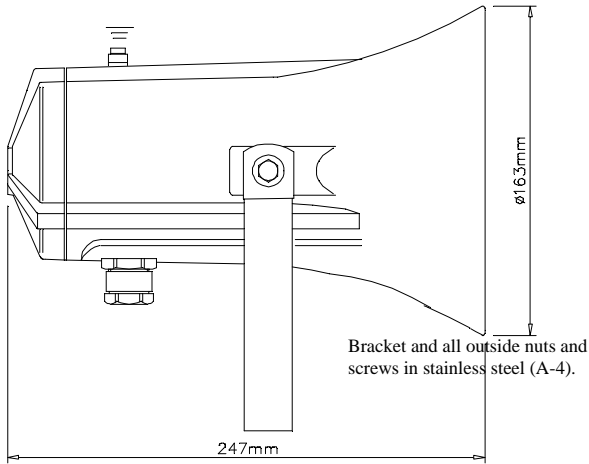


DNH

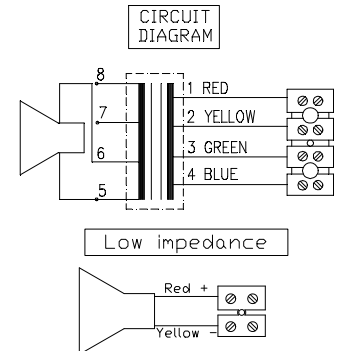
HS-15EExIIN(T)

Commercial Audio Solutions Ltd
 The Old Barn, Whitecroft Farm
 Strines, Derbyshire. SK22 3AH.
 Tel: 01663 767888
 Email: sales@commercialaudiosolutions.com
 Web: www.commercialaudiosolutions.com


ISO 9001 CERTIFIED



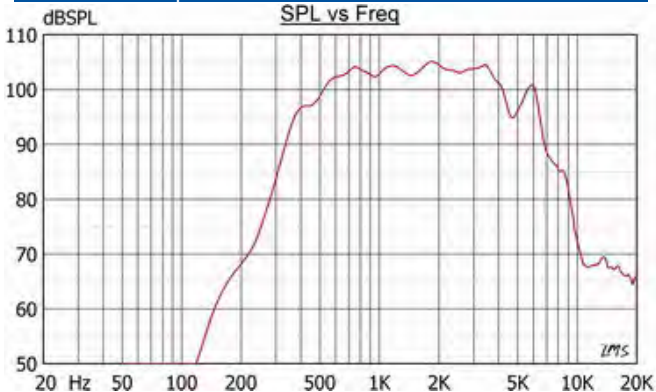
Standard model delivered with two M20
 Ex approved plastic blinding plugs.



Primary nominal tapings	
1 : 2	15,0 W
2 : 3	7,5 W
3 : 4	4,0 W
1 : 3	3,0 W
2 : 4	1,5 W
1 : 4	1,0 W

Certified by / Certification code / Number: Nemko /  II 3G Ex ec IIC T6 Gc - 50°C ≤ Ta +50°C / 10ATEX1056

Sound pressure levels at 1W/1m Sine wave



Specifications

Material / Color	Aluminum alloy / RAL 7035
Mounting	Bracket
Termination	e-chamber, screw terminals
Weight w/transformer	2,7 kg
IP-rating	67
Max. / min. amb. temp	50°C / -50°C
Rated	15 W
SPL 1W/1m	107 dB
SPL rated power	118 dB
Effective freq. range	350 – 7500 Hz
Dispersion (-6dB) 1kHz / 4kHz	140° / 30°
Directivity factor, Q1kHz/4kHz	2,6 / 12
Options	Transformer, impedance, colors, cable.

Installation, Operation and Maintenance Procedures

- Unscrew lid, lead cable through cable gland and connect to terminal.
- Earthing of the Ex-loudspeaker must be done correctly using the specially marked screws.
- Tighten cable gland and screw lid back on with 2-3 Nm to assure IP grade.
- Fasten the bracket with three screws and ensure to use all washers in the intended position. (To isolate the main body from the bracket).
- To change the position of the loudspeaker, please adjust the bracket (by loosening / tightening the screws) as required.
- Use only ATEX/IECEx certified "Ex ec" or "Ex eb" cable glands and blinding plugs.
- Standard model delivered with two M20 Ex approved plastic blinding plugs.
- For optimum performance, always use the correct voltage / power and operate within the frequency limits as stated.
- Do not open loudspeaker when energized.
- This loudspeaker is supplied with two years warranty against defective workmanship.

DNH reserves the right to alter specifications without notice.

