

# LH2-UC15E Horn loudspeaker, 15W, marine

www.boschsecurity.com



**BOSCH**  
Invented for life



- ▶ Suitable for marine and industrial applications in humidity-, chlorine- and salty environments
- ▶ Glass reinforced polyester housing with fire-retardant properties
- ▶ Water- and dust-protected to class IP67
- ▶ Provisions for internal mounting of the optional supervision boards
- ▶ Type approval certified EN 60945 and EN54-24 certified

The Horn Loudspeaker LH2-UC15E is specifically designed for excellent sound reproduction in marine applications and other industrial environments. The housing is rugged, water- and dust-protected, and resistant to the corrosive effects of seawater and most industrial atmospheres.

The horn loudspeaker is made from an UV-stable, glass reinforced polyester (GRP). This strong, fire-retardant and corrosion resistant material is chemical resistant and thermally stable, making it ideal for even the harshest environments. The horn is standard supplied with a stainless steel mounting bracket.

## Functions

The horn loudspeaker is standard supplied with a sturdy mounting bracket allowing the sound beam to be accurately directed.

The mounting bracket has a ratchet facility to ensure it stays correctly positioned.

The connection cable is fed out through an ABS cable gland (PG13.5 standard supplied) in the rear cover, which can be removed for entering the inside

connection terminal. For loop-through connection, the rear cover is fitted with a second hole (covered with a blanking plug as standard supplied).

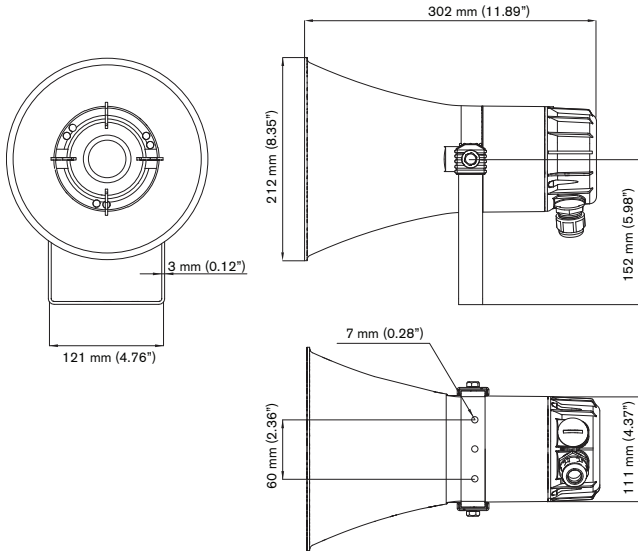
The horn loudspeaker includes a transformer for both 70 V and 100 V input voltage, with taps on the primary winding for different power settings.

Nominal full-power, half-power, quarter-power or eight-power radiation (i.e. in 3 dB steps) can easily be selected by connecting to the appropriate terminal of the 6-way screw terminal block.

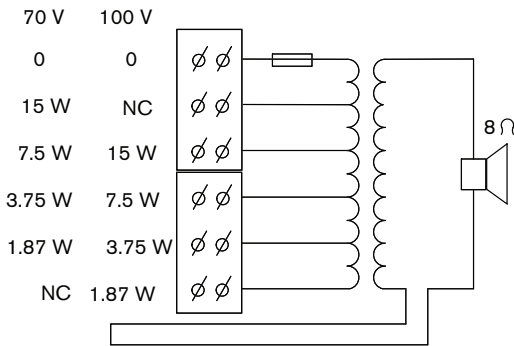
The horn loudspeaker has built-in protection to ensure that, in the event of a fire, damage to the loudspeaker does not result in failure of the circuit to which it is connected. In this way, system integrity is maintained; ensuring loudspeakers in other areas can still be used to inform people of the situation.

The horn loudspeaker has ceramic screw-terminal connection blocks, thermal fuse, heat-resistant high temperature wiring and has a provision for internal mounting of the optional line/loudspeaker supervision boards.

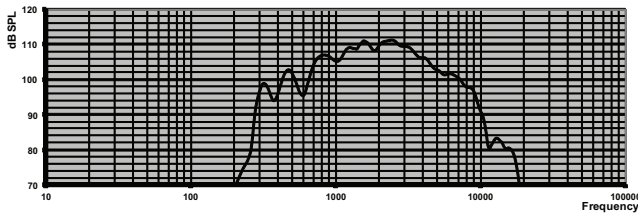
For enabling loudspeaker supervision, a wire loop from the secondary side of the horn loudspeaker is available in the connection area. This wire loop is normally closed, but when used with the supervision board, it is cut and connected.



Dimensions in mm (inch)



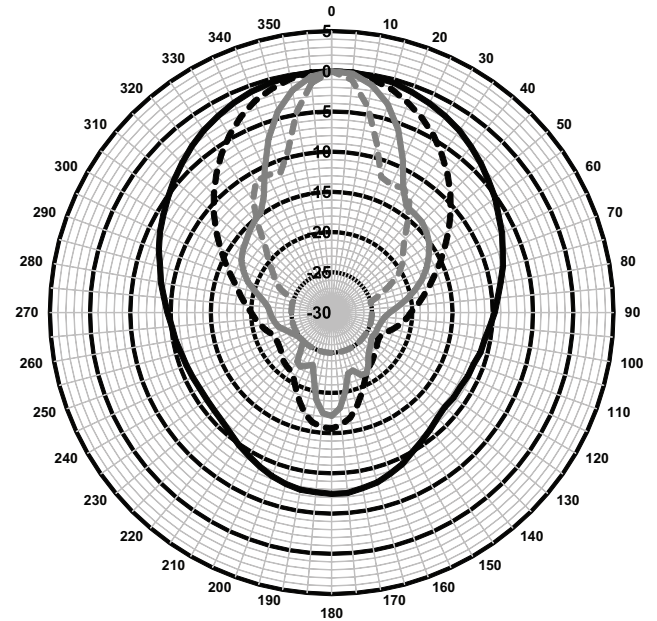
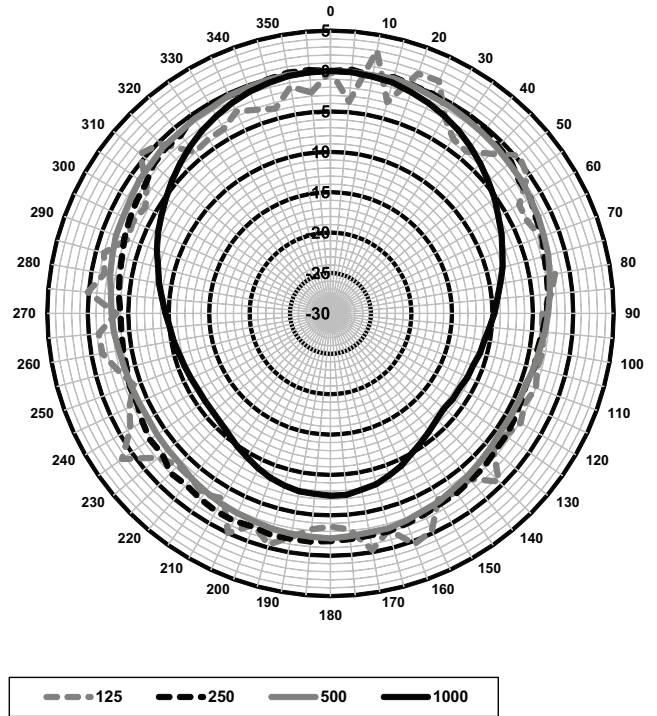
Circuit diagram



Frequency response

To meet EN54-24 requirements, below stated 1/3 octave band equalization is required:

1/3 octave band (Hz)	EQ setting
1250 Hz	-2 dB
1600 Hz	-3 dB
2000 Hz	-1 dB
6300 Hz	+3 dB



Polar diagrams (measured with pink noise)

Octave band sensitivity \*

	Octave SPL 1W/1m	Total octave SPL 1W/1m	Total octave SPL Pmax/1m
125 Hz	55.2	-	-
250 Hz	93.4	-	-
500 Hz	99.8	-	-
1000 Hz	107.8	-	-
2000 Hz	110.8		
4000 Hz	107.6	-	-
8000 Hz	99.3	-	-
A-weighted	-	104.9	115.2
Lin-weighted	-	104.1	114.9

Octave band opening angles

	Horizontal	Vertical	
125 Hz	360	360	
250 Hz	360	360	
500 Hz	360	360	
1000 Hz	119	119	
2000 Hz	68	68	
4000 Hz	38	38	
8000 Hz	23	23	

Acoustical performance specified per octave  
\* (all measurements are done with a pink noise signal; the values are in dB SPL).

**Certifications and approvals**

**Quality assurance**

All Bosch loudspeakers are designed to withstand operating at their rated power for 100 hours in accordance with IEC 60268-5 Power Handling Capacity (PHC) standards. Bosch has also developed the Simulated Acoustical Feedback Exposure (SAFE) test to demonstrate that they can withstand two times their rated power for short durations. This ensures improved reliability under extreme conditions, leading to higher customer satisfaction, longer operating life, and lessens the chance of failure or performance deterioration.

Safety	According to EN 60065
Emergency	According to EN 54-24 / compliant to BS 5839-8
Type approval certified	According to EN 60945

Water and dust protection	According to EN 60529, IP 67
Salt mist	According to IEC 60068-2-11
Chlorine resistant	According to IEC 60068-2-60
Wind force	According to Bft 11

Region	Regulatory compliance/quality marks	
Europe	CE	DECL EC LH2-UC15E
	CE	DOC (IP)

**Parts included**

Quantity	Component
1	LH2-UC15E Horn Loudspeaker
1	Installation instruction

**Technical specifications**

**Electrical\***

Maximum power	22.5 W
Rated power (PHC)	15 W
Power tapping	15 / 7.5 / 3.75 / 1.87 W
Sound pressure level at rated power / 1 W (1 kHz, 1 m)	120 / 108 dB (SPL)
Sound pressure level at rated power / 1 W (1 kHz, 4 m) (reference axis 0 degrees, free field)	102 / 90 dB
Effective frequency range (- 10 dB)	300 Hz to 9 kHz
Opening angle at 1 kHz / 4 kHz (-6 dB)	119° / 38°
Rated input voltage	70 / 100 V
Rated impedance	334 ohm (15 W at 70 V) 667 ohm (7,5 W at 70 V / 15 W at 100 V) 1333 ohm (3,75 W at 70 V / 7,5 W at 100 V) 2667 ohm (1,87 W at 70 V / 3,75 W at 100 V) 5347 ohm (1,87 W at 100 V)
Electrical connection	6-pole screw terminal
Acceptable wire gauge	1.0 – 2.3 mm


\* Technical performance data acc. to IEC 60268-5

**Mechanical**

Dimensions (L x D max)	302 x 212 mm (11.89 x 8.35 in)
Weight	2.25 kg (4.96 lb)
Color	Light grey (RAL 7035)
Material horn	Glass Reinforced Polyester (GRP)
Material mounting bracket	Stainless steel (grade 316)
Cable diameter	6 mm to 12 mm (0.24 in to 0.47 in)

**Environmental**

Operating temperature	-55 °C to +70 °C (-67 °F to +158 °F)
Storage and transport temperature	-40 °C to +70 °C (-40 °F to +158 °F)
Relative humidity	<95%

 0560
Bosch Security Systems BV Torenallee 49, 5617BA Eindhoven, The Netherlands  0560-CPR-142190008
EN 54-24:2008  Loudspeaker for voice alarm systems for fire detection and fire alarm systems for buildings  Horn Loudspeaker 15W LH2-UC15E Type B

**Ordering information****LH2-UC15E Horn loudspeaker, 15W, marine**

Horn Loudspeaker 22.5 W, Glass Reinforced Polyester (GRP) IP 67 housing, high-quality speech and music reproduction, IP67 water and dust protected, salt mist and chlorine resistant, EN 60945 and EN54-24 certified, light grey RAL7035.

Order number **LH2-UC15E**

**Represented by:**

**Europe, Middle East, Africa:**  
Bosch Security Systems B.V.  
P.O. Box 80002  
5600 JB Eindhoven, The Netherlands  
Phone: + 31 40 2577 284  
emea.securitysystems@bosch.com  
emea.boschsecurity.com

**Germany:**  
Bosch Sicherheitssysteme GmbH  
Robert-Bosch-Ring 5  
85630 Grasbrunn  
Germany  
www.boschsecurity.com

**North America:**  
Bosch Security Systems, Inc.  
130 Perinton Parkway  
Fairport, New York, 14450, USA  
Phone: +1 800 289 0096  
Fax: +1 585 223 9180  
onlinehelp@us.bosch.com  
www.boschsecurity.us

**Asia-Pacific:**  
Robert Bosch (SEA) Pte Ltd, Security Systems  
11 Bishan Street 21  
Singapore 573943  
Phone: +65 6571 2808  
Fax: +65 6571 2699  
apr.securitysystems@bosch.com  
www.boschsecurity.asia