

VXS Series (F model)

Surface Mount Speaker



VXS3F Rear



VXS3FW Rear

VXS3F / VXS3FW VXS3FT / VXS3FTW

Premium sound tuning and slim installed profile for refined background music in elegant spaces.

- 3.5" full-range speaker units
- Designed optimized for Lo-Z and Hi-Z connections
- Attractive, discreet design with sleek curves complements elegant décor
- Dedicated design-enhancing bracket included*
- Acoustic design for sophisticated, natural reproduction
- Individual speakers cover a wide angle
- Paintable enclosures and grilles
- Black and white models available

*A transformer is attached to a bracket of the VXS3FT/VXS3FTW (Hi-Z models)



VXS3FW (Lo-Z model) Wall-mounted



VXS3FT (Hi-Z model) Wall-mounted

INCLUDED ACCESSORIES



VXS3F/VXS3FW (Lo-Z models) Bracket



VXS3FT/VXS3FTW (Hi-Z models) Bracket



VXS3FT (Hi-Z model)
Bracket uncovered



VXS3FT (Hi-Z model)
Bracket covered

GENERAL SPECIFICATIONS

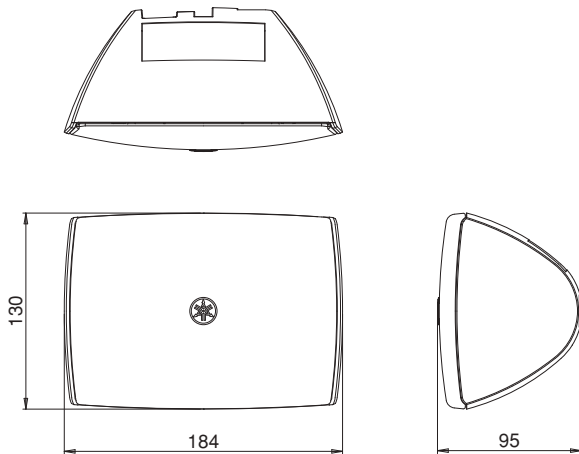
Model	VXS3F / VXS3FW		VXS3FT / VXS3FTW
Speaker Type	Full-range, Acoustic suspension		
Frequency Range	-10dB	130Hz - 20kHz	
Nominal Coverage	H	150°	
	V	160°	
Components	LF - HF	3.5" Cone	
Power Rating	NOISE	20W	-
	PGM	40W	-
	MAX	80W	-
Nominal Impedance		8Ω	-
Transformer Taps	100V	-	15W, 7.5W, 3.8W
	70V	-	15W, 7.5W, 3.8W, 1.9W
SPL	Sensitivity (1W, 1m) ¹	86dB SPL	-
	Peak (Calculated, 1m)	105dB SPL	-
I/O Connectors	1x Euroblock (4P) (Input: + / -, Loop Thru: + / -)		1x Barrier strip (Input: + / -)
Protection Circuit	Load protection	Full-range power limiting for protecting network and transducers	
Cabinet Material	ABS (UL94-5VB), Black		
Grille Material	Powder coated perforated SPCC (t=0.8mm), aperture ratio: 55%		
Finish	VXS3F: Black (approx. Munsell N3) VXS3FW: White (approx. Munsell N9)		VXS3FT: Black (approx. Munsell N3) VXS3FTW: White (approx. Munsell N9)
Waterproof	-		
Dimensions ² (W x H x D)	Speaker only	184 x 130 x 95mm (7.3" x 5.1" x 3.7")	
	with bracket (in 0° setup)	184 x 130 x 134mm (7.3" x 5.1" x 5.3")	
Net weight	Speaker only	1.0kg (2.2lbs)	
	with bracket	1.1kg (2.4lbs)	
Accessories	Bracket Gear, Bracket Base, Bracket Cover, Safety Wire		Bracket Gear, Bracket Base (with transformer), Bracket Cover, Safety Wire
Packaging	Packaged in pairs		
Certificate	UL1480, NFPA70, CE, RoHS		UL1480, NFPA70, CE, EAC, RoHS

¹ Full-space(4π) , 200Hz to 10kHz pink noise

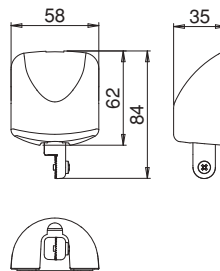
² In horizontal cabinet setup

DIMENSIONS

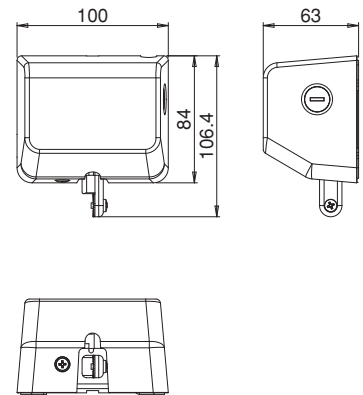
VXS3F(W) / VXS3FT(W)



VXS3F(W) Bracket



VXS3FT(W) Bracket



unit : mm