

loudspeaker cabinets

AUDEO series

AUDEO103, AUDEO106,
AUDEO108, AUDEOSB110,
STANDAUDEO

GIUGIARO
DESIGN

The AUDEO loudspeaker series strikes the perfect balance between the intelligibility and sound reproduction quality requirements currently demanded in the professional audio installation and ever increasing demands with respect to aesthetics, design and integration into all types of architectural environments.

AUDEO has a balanced, innovative design, resulting from the collaboration between Ecler and the prestigious group Giugiaro Design during the conceptual and the external design phases of the speakers. This factor, together with its high quality sound reproduction, make this series the ideal solution for use in numerous sound projects: corporate and residential buildings, commercial premises, leisure centres, health centres, conference and meeting rooms, auditoriums, museums, etc.

This versatile series, which comes in three sizes (AUDEO 103, 106 and 108), and in black or white, is completed by its wall/ceiling supports which allow the cabling to be concealed and make it possible to install the speakers at low (8 ohms) or high impedance operation (100 V line).

In addition to the included wall bracket, the 103 and 106 models can use the DSTANDAUDEO desktop stand. If you need to mount the AUDEO speakers on a microphone stand, then the MSTANDAUDEO is the right accessory to use. For a subwoofer reinforcement of the AUDEO series speakers, try the AUDEO SB110P self-powered subwoofer cabinet.

Key features

- Full range, 2-way acoustic boxes.
- Made of reinforced ABS
- Available in black or white
- 8 ohms / 100 V line operating switch
- Accessories for wall-mounting included
- IP 54 class for installing outdoors
- Protective grille at the front with anti-rust treatment

Recommended amplification:

- HZA multi-channel 100 V line amplifiers
- MPA-R multi-channel amplifiers line (low impedance or high impedance with DLA adapters)
- NZA multi-channel amplifiers with built-in DSP and remote Ethernet management (low impedance)
- Enviro modular system (100 V line)
- AMPACK series
- pKUB

Applications:

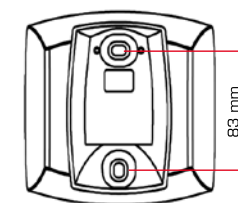
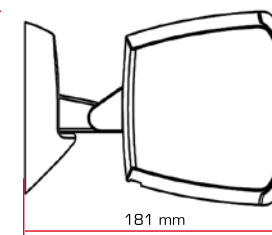
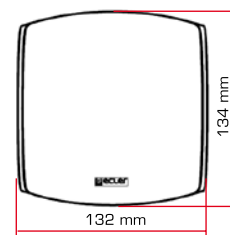
- Corporate and residential buildings
- Commercial premises
- Leisure centres
- Sound reinforcement in clubs, bars, etc.
- Health and sports centres
- Meeting and conference rooms
- Auditoriums, museums



AUDEO103

AUDEO103

- 25 W RMS - 8 ohms
- Efficiency: 90 dB SPL 1 W / 1 m
- 8 ohm / 100 V (2.5, 5, 7.5 or 15 W) mode switch
- 3.5" woofer and 13 mm Tweeter
- Frequency response (-10 dB):
- 110 Hz to 20 kHz
- Dimensions: 132 x 134 x 110 mm
- Weight: 1.45 kg





AUDEO106

- 50 W RMS - 8 ohms
- Efficiency: 92,5 dB SPL 1 W / 1 m
- 8 ohm / 100 V (5, 7,5, 15 or 30 W) mode switch
- 6.5" woofer and 25 mm Tweeter
- Frequency response (-10 dB): 90 Hz to 20 kHz
- Dimensions: 242 x 242 x 163 mm
- Weight: 2.3 kg

GIUGIARO
DESIGN

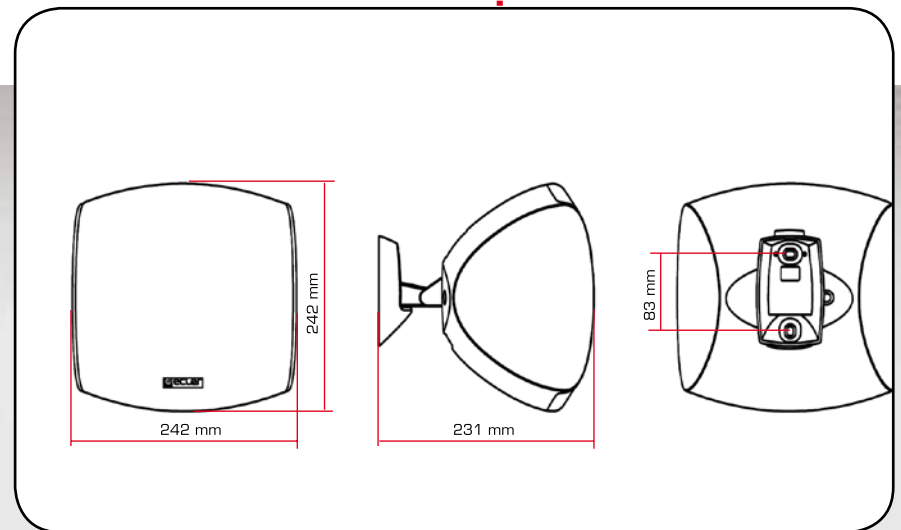
AUDEO series

AUDEO103, AUDEO106,
AUDEO108, AUDEOSB110,
STANDAUDEO

loudspeaker cabinets



Product



loudspeaker cabinets

AUDEO series

AUDE0103, AUDE0106,
AUDE0108, AUDE05B110P,
STANDAUDE0

GIUGIARO
DESIGN



AUDE0108

- 100 W RMS - 8 ohms
- Efficiency: 94,5 dB SPL 1 W / 1 m
- 8 ohm / 100 V (7,5, 15, 30 o 60 W) mode switch
- 8" Kevlar woofer and 1" ACCW silk dome tweeter
- Frequency response (-10 dB): 65 Hz to 22 kHz
- Aluminium made wall bracket
- Dimensions: 300 x 310 x 225 mm
- Weight: 3.75 kg

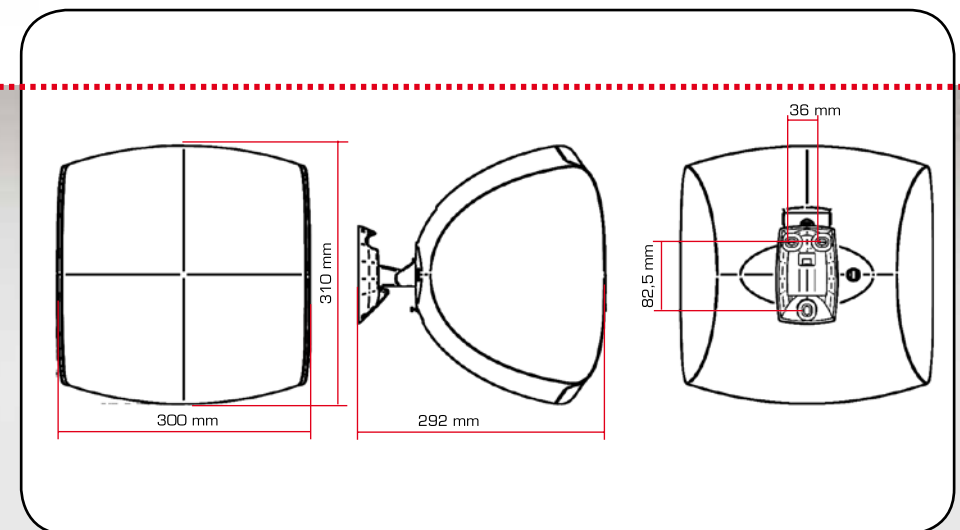


AUDE0108



Tech. Characteristics

	AUDE0103	AUDE0106	AUDE0108
Ways	2	2	2
Nominal low impedance	8Ω	8Ω	8Ω
Max RMS power	25W	50W	100 W
Program power	50W	100W	200 W
Nominal high impedance	100V LINE	100V LINE	100 V LINE
Power selector	2.5/5/7.5/15W	5/7.5/15/30W	7.5 / 15 / 30 / 60 W
Efficiency SPL 1W 1m	90dB	92.5dB	94.5 dB
Frequency response at -10dB @ 8Ω	110Hz ± 20kHz	90Hz ± 20kHz	65 Hz ± 22 kHz
Dimensions WxHxD (without accessories)	132x134x110mm	242x242x163mm	300x310x223mm
Weight	1.45kg	2.3kg	3.75 kg



AUDEO series

AUDEO103, AUDEO106,
AUDEO108, AUDEOSB110P,
STANDAUEO

loudspeaker cabinets



AUDEOSB110P

The AUDEO SB110P is the self-powered subwoofer reinforcement unit of the AUDEO series. With a discreet design that enables its use in any environment, this 10", 150 W RMS model, is the ideal partner for the AUDEOs in those music applications where extended low-end response is required.

Key features

- 10" driver
- 150 W RMS integrated amplifier
- RCA inputs with mono conversion
- RCA stack outputs (link to other SB110P units, AUDEO speakers, etc.)
- PHASE and volume controls
- Internal 150Hz/18dB oct. LPF

DSTANDAUEO

Desktop stand for the AUDEO103 and AUDEO106 models

MSTANDAUEO

Microphone stand adapter for the AUDEO series speakers



AUDEOSB110P



MSTANDAUEO

Product

Tech. Characteristics

AUDEOSB110P

Driver	1x10" Bass
Power output (RMS)	150W
Maximum SPL (dB@1m)	112dB
Inputs sensitivity nom/impedance	0dBV 1V >1kΩ
Connector type	RCA
Frequency response (-10dB)	40Hz
Crossover filter (-3dB)	150Hz/18dB oct.
Mains	AC 115V/230V 50-60Hz
Power consumption	107VA
	(pink noise, 1/8 power)
	152VA
	(pink noise, 1/3 power)
	237VA
	(max. power)
Dimension (WxDxH mm/Pcs)	310x505x420mm
Weight	16.75kg



DSTANDAUEO



MSTANDAUEO