

## AUDEOSB110P

### CABINET LOUDSPEAKERS

*Self-powered Sub-woofer Cabinet*



GIUGIARO  
DESIGN

### PRODUCT OVERVIEW

The AUDEO SB110P is the self-powered subwoofer reinforcement unit of the AUDEO series. With a discreet design that enables its use in any environment, this 10", 150 W RMS model, is the ideal partner for the AUDEOs in those music applications where extended low-end response is required.

### KEY FEATURES

- 10" driver
- 150 W RMS integrated amplifier
- RCA inputs with mono conversion
- RCA stack outputs (link to other SB110P units, AUDEO speakers, etc.)
- PHASE and volume controls
- Internal 150Hz/18dB oct. LPF

### APPLICATIONS

- Corporate and residential buildings
- Commercial premises
- Leisure centres
- Sound reinforcement in clubs, bars, etc.
- Health and sport centres
- Meeting and conference rooms
- Auditoriums, museums

## TECHNICAL SPECIFICATIONS

## AUDEOSB110P

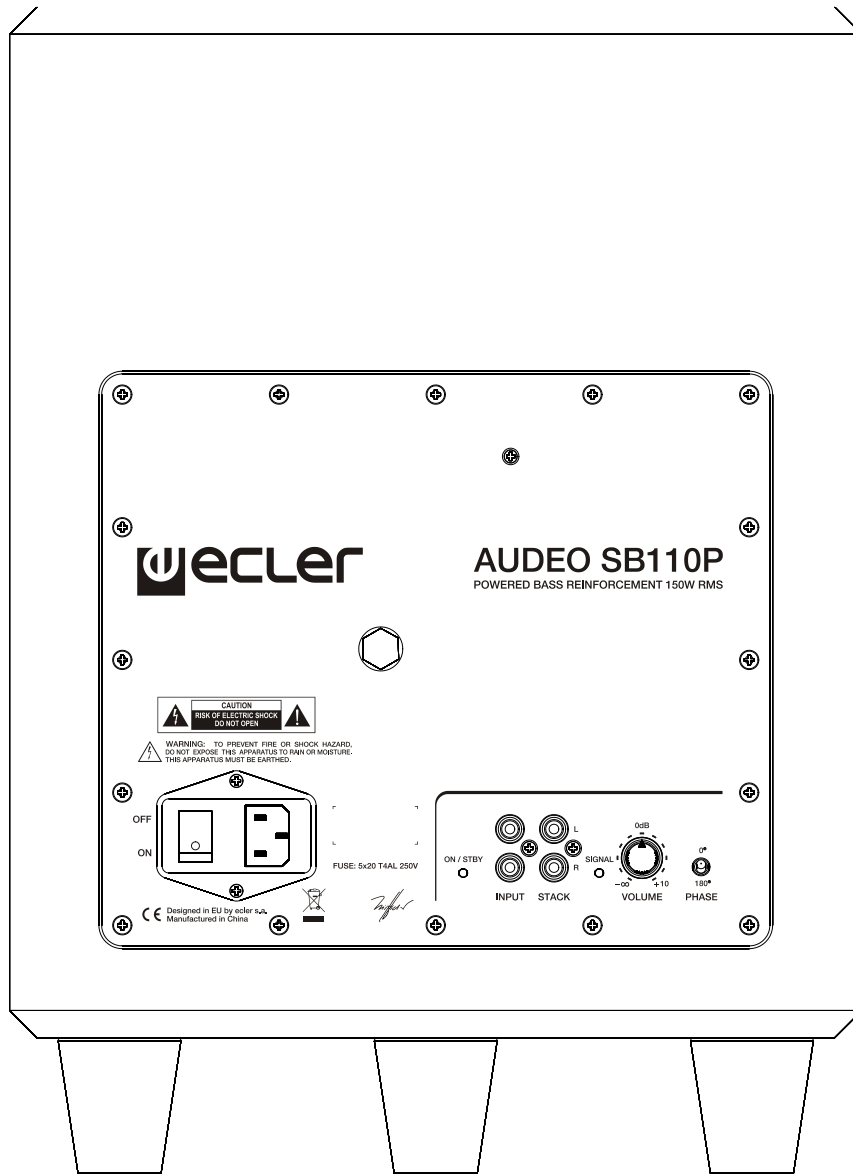
System	
Effective frequency range <sup>1</sup>	40Hz
Power handling	150 W RMS / 600 W Peak
Sensitivity <sup>2</sup>	90 dB (1W/1m)
Maximum SPL <sup>3</sup>	112 dB continuous / 118 dB peak
Recommended amplifier power	300 W RMS
Transducers	
Ways	1 way sub-woofer
Driver	10" woofer
Filters	
Low-pass filter selector	150Hz/18dB oct.
Physical	
Mounting system	Cabinet
Finished colour	Black (RAL 9005)
Dimensions (WxHxD)	310 x 505 x 420 mm / 12.2 x 19.9 x 16.54 in.
Weight	16.75 kg / 36.93 lb
Powered	
Power	150 W RMS / 600 W Peak
Audio inputs	RCA inputs with mono conversion
Audio outputs	RCA stack outputs
Input sensitivity	0dBV 1V >1kW
LED indicators	SP, Power ON, Stand-by
Mains	AC 115V/230V 50-60Hz
Power consumption (pink noise, 1/8 power)	107VA
Power consumption (pink noise, 1/3 power)	152VA
Power consumption (max.power)	237 VA

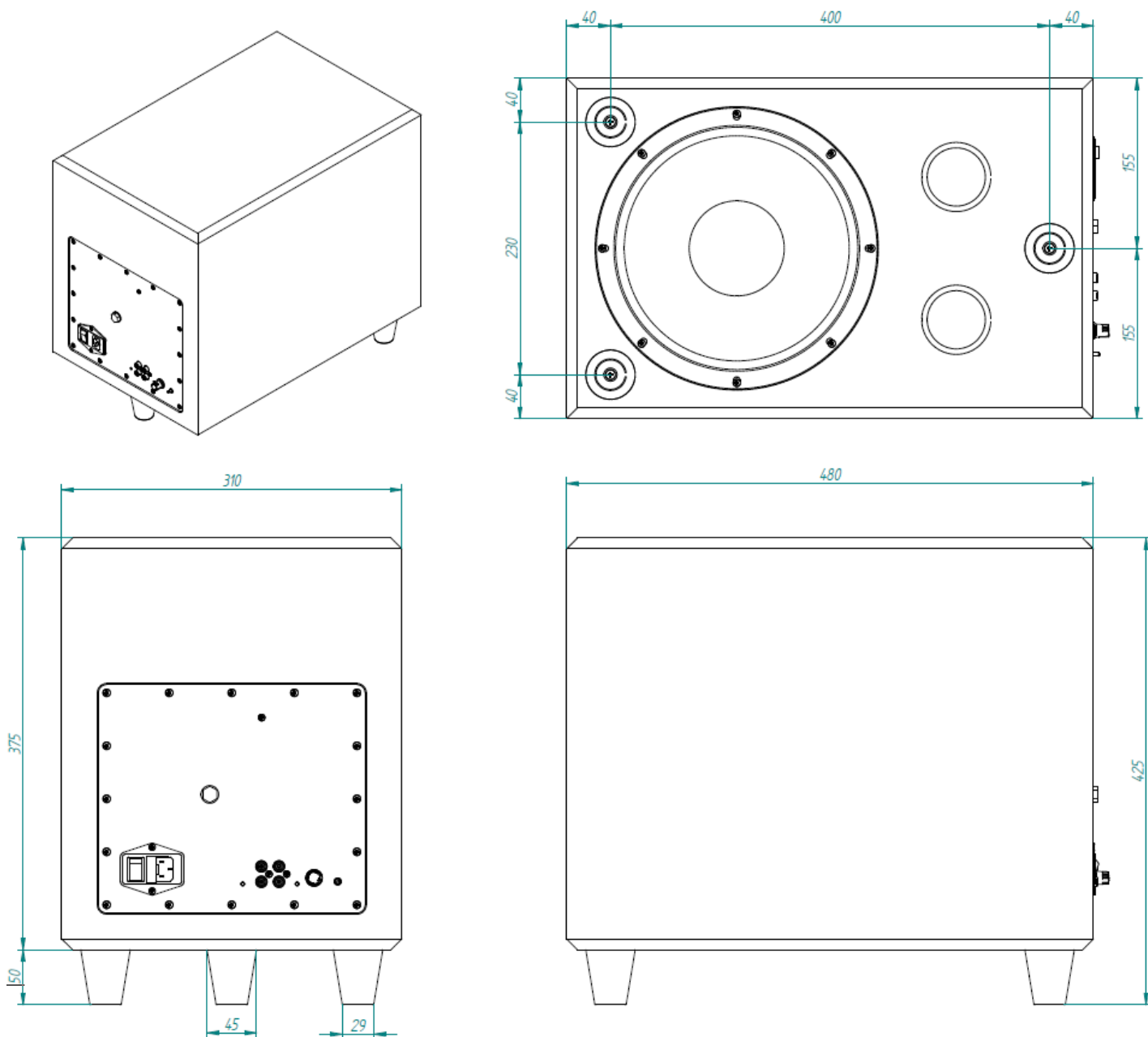
<sup>1</sup>10dB below the sound pressure level at specified sensitivity

<sup>2</sup>Measured on-axis, far field and referenced to 1 meter by inverse square law. Average from 100 Hz to 10 kHz.

<sup>3</sup>Calculated from sensitivity and power handling specifications, exclusive of power compression

MECHANICAL DIAGRAM





All product characteristics are subject to variation due to production tolerances. **NEEC AUDIO BARCELONA S.L.** reserves the right to make changes or improvements in the design or manufacturing that may affect these product specifications.

For technical requests address to your supplier, distributor or fill the contact form in our website, at [Support / Technical Request](#).

Motors, 166-168 08038 Barcelona - Spain - (+34) 932238403 | [information@ecler.com](mailto:information@ecler.com) | [www.ecler.com](http://www.ecler.com)